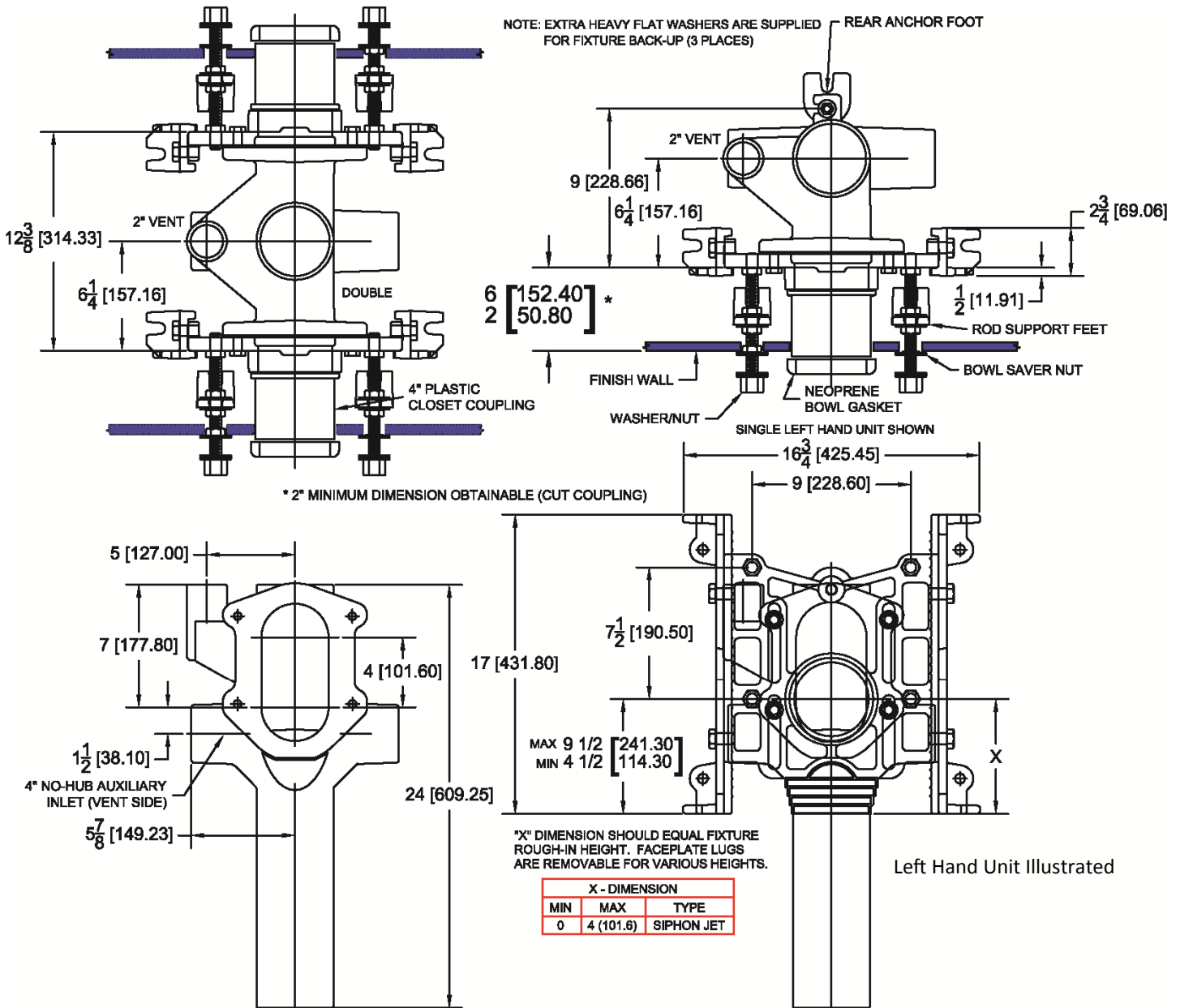


330HD-A1 Vertical Adjustable Water Closet Support w/ One 4" Auxiliary Inlet (500 Lb.)

Project	Engineer	Mechanical
---------	----------	------------



Model	Configuration	Connection Type
330HD-NR4-A1	Single RH	No-Hub
330HD-NL4-A1	Single LH	
330HD-ND4-A1	Double	

Regularly Furnished: Vertical water closet carrier with fitting, one 4" auxiliary side inlet (vent side), floor mounted foot support, rear anchor, 7" ABS coupling with o-ring seal, test cap, threaded zinc plated support studs and hardware, stud protectors, neoprene bowl basket, chrome plated cap nuts, & adjustable faceplate.

Suffix	Description
-AM1	Flush Valve Support
-AM21	Tiling Flange
-ECC	Extending Coupling & Hardware (Per Inch)
-FPO	Adjustable, All Thread ABS Coupling
-LR	Low Rough Faceplate *

Suffix Options	
Suffix	Description
-M3	Vandal Proof Hardware
-M26	Adjustable Cast Iron Coupling

*Dimensions vary from illustration