

A172-UG-VR Series

MODEL A172100S-UG-VR

BARRIER FREE, VANDAL RESISTANT BUTTON,
UNIVERSAL BI-LEVEL, WALL
MOUNTED DRINKING FOUNTAIN

STANDARD FEATURES

- Child or Adult ADA Compliant (When Properly Installed)
- Universal Bi-Level - Can Be Installed Left Unit High Or Right Unit High With No Additional Parts Required
- Apron and One-Piece Bottom Wrapper is Satin Finish Or Gray Powder Coat Finish
- 304 Stainless Steel Basin and Flush Mounted Chrome Plated Brass Button
- Polished Stainless Steel, Anti-Rotation, Non-Squirt Bubblers
- 100-Mesh Inlet Strainer
- Vandal Resistant Screws and Screened Louvers
- Individual Hanging Brackets Provided
- Auto-Stop allows service of Cartridge and Strainer Without Shutting Off Water Supply Stop
- Lead-Free
- Rough-Ins Match Other Manufacturer's for Easy Replacement

SUGGESTED SPECIFICATIONS

Model A172100S-UG-VR is a self-contained, Bi-Level Drinking Fountain. Units shall be activated by Vandal Resistant Chrome Plated Brass Front Pushbuttons by using less than 5 pounds of force. Bubblers shall be Lead-Free Stainless Steel with an integrally designed non-squirt feature and operate on a water pressure range of 20-105 PSIG. Basins shall be constructed from 304 Stainless Steel and have an Integral Drain. Cabinet shall be Stainless Steel with Satin Finish or Galvanized/Galvannealed Steel with Gray Powder Coat Finish. Unit is certified to ANSI A117.1, Public Law 111-380 (NO-LEAD), CHSC 116875 and NSF/ANSI 61, Section 9. Fixture meets ADA, ADA Standing Person, and ADA Child requirements when mounted appropriately.



“RATED FOR INDOOR AND OUTDOOR USE”

MODEL:

(Must Specify)

FLEXIBLE BUBBLER

- A172100F-UG-VR Gray Finish
- A172400F-UG-VR Satin Stainless Finish

STAINLESS STEEL BUBBLER

- A172100S-UG-VR Gray Finish
- A172400S-UG-VR Satin Stainless Finish (Shown)

OPTIONS

(additional costs may apply)

- BP8 Back Panel, Stainless Steel
- CSC6 Concealed Support Carrier
- DD Drop Down Door (with -WF1 Only)
- LOGO Customer Specified Logo / Graphics
- SK5 Skirt Kit for upper unit
- WF1 1500-Gallon Capacity, NSF 42+53, 1-Micron Lead Reduction Filter
- WF3 3000-Gallon Capacity, NSF 42+53, 1-Micron Lead Reduction Filter

Complies with the following standards:



NSF/ANSI 61



Federal Public Law 111-380 (No Lead)



Member of U.S. Green Building Council



Recyclable Product



Water Conserving Product

Accessibility Compliance is subject to local Code Enforcement Authority.

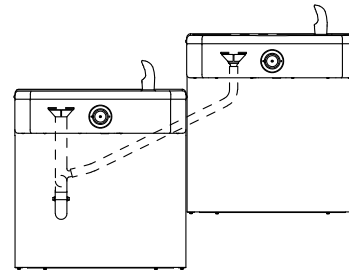
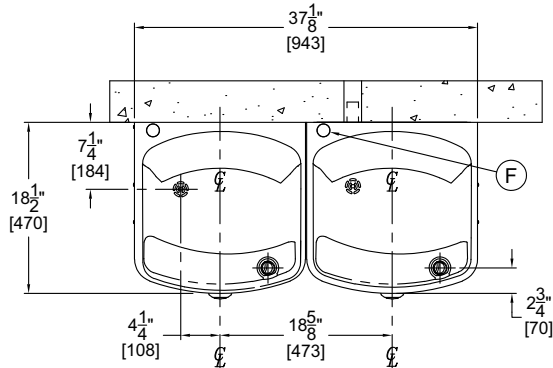
⚠ WARNING: Cancer and Reproductive Harm - www.P65Warnings.ca.gov

MURDOCK MFG. • 15125 Proctor Avenue • City of Industry, CA 91746 USA
Phone 800-453-7465 or 626-333-2543 • Fax 626-855-4860 • www.murdockmfg.com

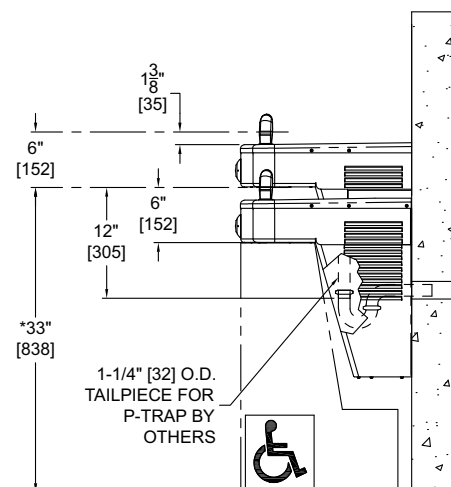
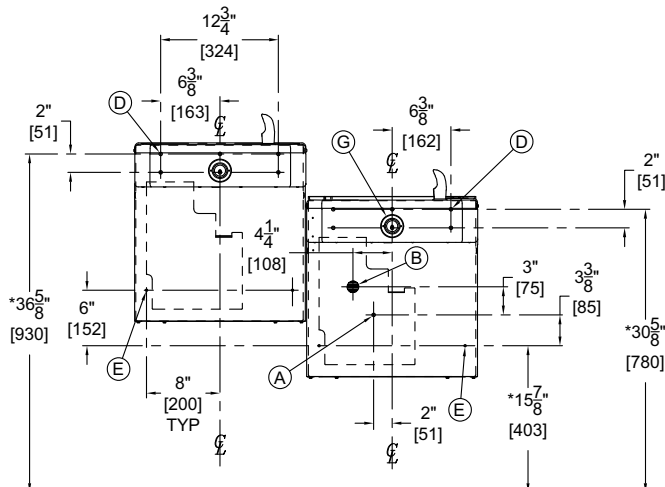
Member of MORRIS GROUP INTERNATIONAL

A172-UG-VR Series
MODEL A172100S-UG-VR

BARRIER FREE, VANDAL RESISTANT
BUTTON, UNIVERSAL BI-LEVEL, WALL
MOUNTED DRINKING FOUNTAIN



ALTERNATE MOUNTING
CONFIGURATION



GENERAL NOTES:

1. ALL DIMENSIONS ARE IN INCHES [MM]
2. ALLOW 4 INCHES [102MM] MINIMUM CLEARANCE PER SIDE FOR VENTILATION
- *3. DIMENSIONS SHOWN ARE FOR ADA ADULT HEIGHT. ADJUST VERTICAL DIMENSIONS AS NECESSARY TO COMPLY WITH FEDERAL, STATE & LOCAL CODES
4. STOP VALVE & P-TRAP NOT SUPPLIED
5. IMPORTANT: COOLERS MUST BE ATTACHED TO WALL WITH APPROPRIATE ANCHOR SCREWS

- A. 3/8" O.D. SUPPLY INLET
- B. WASTE OUTLET FOR P-TRAP BY OTHERS FOR PROVIDED 1-1/4" O.D. TAILPIECE
- C. ELECTRICAL SERVICE ROUGH
- D. Ø3/8" HANGER BRACKET PUNCHING, 6 PLACES ON EACH FIXTURE FOR ANCHORING HARDWARE BY OTHERS
- E. Ø1/4" PUNCHING, 2 PLACES ON EACH FIXTURE FOR ANCHORING HARDWARE, BY OTHERS
- F. REMOVABLE PLUG FOR BOTTLE FILLER
- G. VANDAL RESISTANT PUSHBUTTON CARTRIDGE

Murdock Mfg.™ warrants that its products are free from defects in material or workmanship under normal use and service for a period of one year from date of shipment. Murdock's liability under this warranty shall be discharged solely by replacement or repair of defective material, provided Murdock™ is notified in writing within one year from date of shipment, F.O.B. Industry, California.

SELECTION SUMMARY
& APPROVAL FOR
MANUFACTURING

Model Number & Options _____ Quantity _____

Company _____

Contact _____ Title _____

Signature _____ Date _____
(Approval for Manufacturing)

All dimensions are subject to manufactures tolerance of plus or minus 1/2" nominal and subject to change without notice. Murdock assumes no responsibility for use of void or superseded data. Dimensions may change with the addition of optional accessories. Murdock Mfg.™, Member of Morris Group International™. Please visit www.murdockmfg.com for most current specifications.