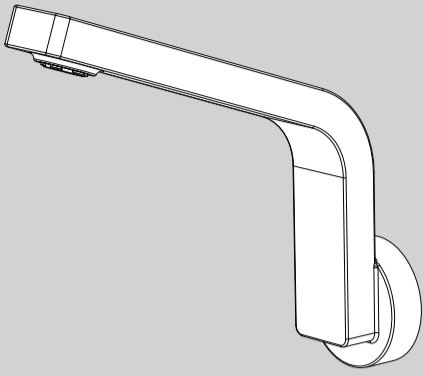


## INSTRUCTIONS FOR MODELS

S-1570



### NEED HELP?

For additional assistance or service please contact:

#### SPEAKMAN®

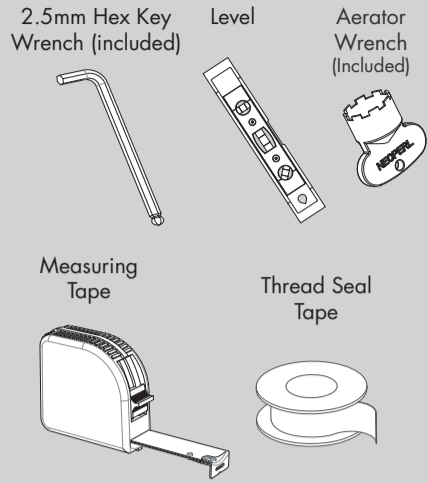
800-537-2107

customerservice@speakman.com

www.speakman.com

92-S-1570-01

## TOOLS AND SUPPLIES



### IMPORTANT

- Do not over-tighten any connections or damage may occur.
- Be sure to read instructions thoroughly before beginning installation.

#### SAFETY TIPS

Cover your drain to prevent loss of parts. Be sure to wear eye protection while cutting pipe.

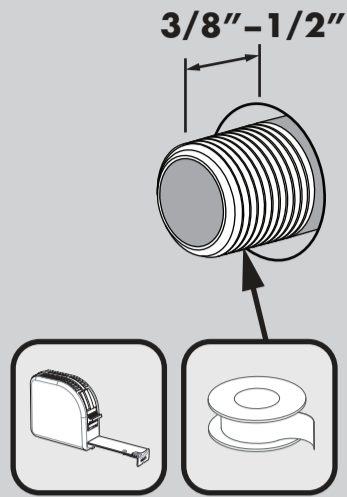
#### MAINTENANCE

Your new Speakman Product is designed for years of trouble-free performance. Keep it looking new by cleaning it periodically with a soft cloth. The use of harsh chemicals and abrasives may damage the finish and void the product warranty. Please be sure to only use approved cleaners. Please contact Speakman for any clarification of acceptable cleaners.

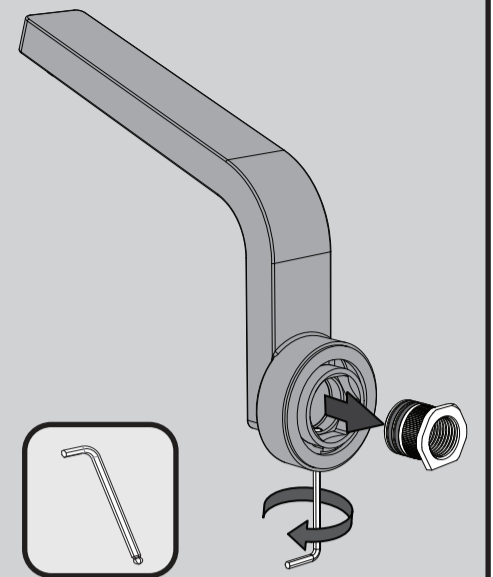
#### WARRANTY

Additional warranty information can be found at: [www.speakman.com](http://www.speakman.com)

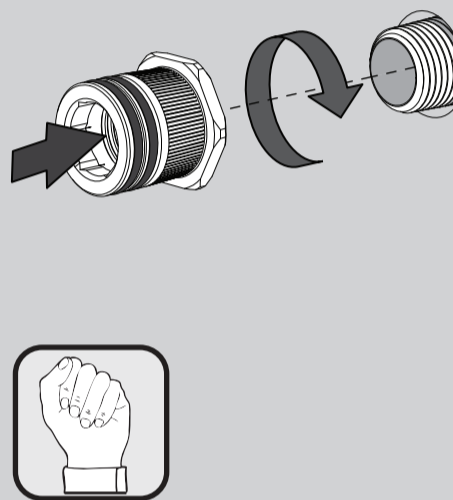
**1** Verify that the 1/2" supply Pipe is properly roughed-in to extend from the finished wall between 3/8" - 1/2". Apply Thread Seal Tape in a clockwise direction to the threads of Pipe.



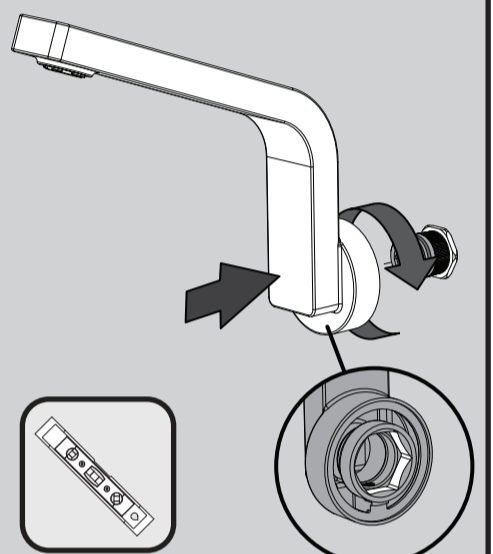
**2** Loosen, but do not remove the Set Screw located at the base of the Spout using the included Hex Key Wrench. Remove Connector assembly from the Spout.



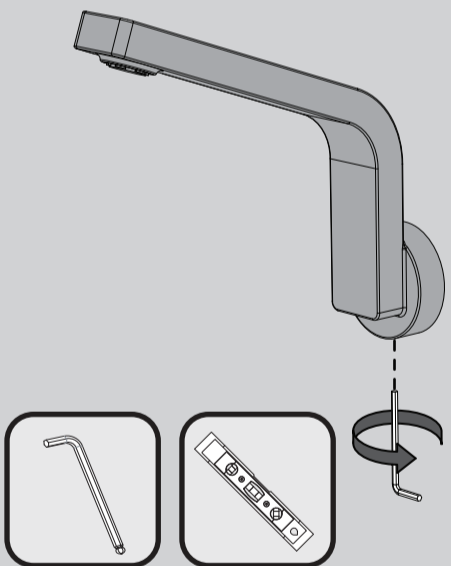
**3** Install the Connector assembly onto the rough-in Pipe and hand tighten.



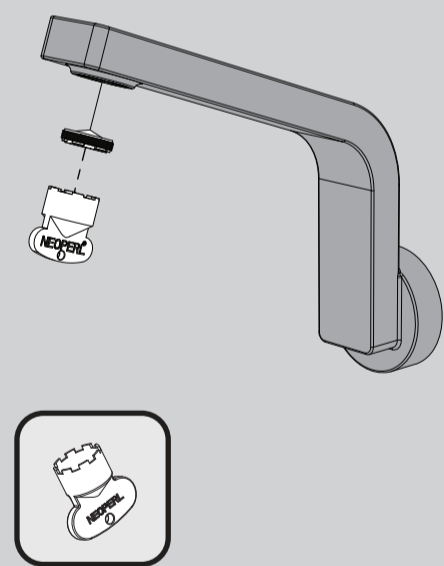
**4** Position the Spout over the flats of the Connector and use the Spout to final tighten the Connector into position. Once completed, the Spout should be aligned vertically as shown. Remove Spout and readjust as needed.



**5** Verify that the Spout is aligned vertically, and that the Spout Flange is flush to the finished wall surface. Tighten Set Screw with the included Hex Key to secure Spout into position. Verify that the spout is securely fastened.

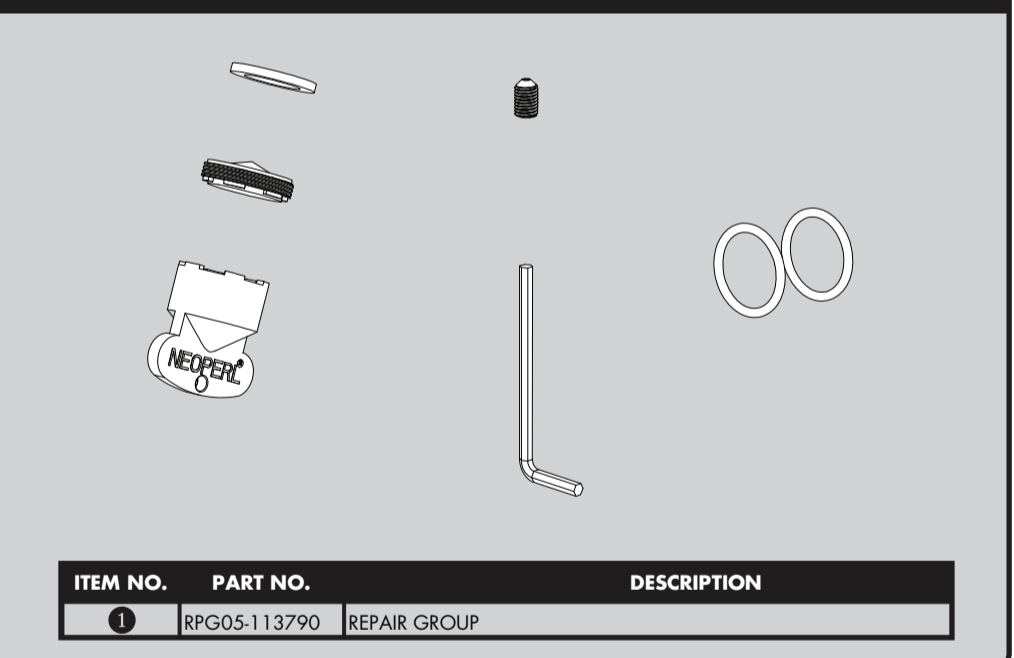


**6** Using the included Aerator Key, remove the Aerator from the Spout. Turn on water supplies, check for leaks, and flush the system with Cold and Hot Water for 1 minute. Turn off water supplies and reinstall Aerator.



## S-1570 REPAIR PARTS

## SPEAKMAN®



ITEM NO.	PART NO.	DESCRIPTION
1	RPG05-113790	REPAIR GROUP

## S-1570 ROUGH-IN DIAGRAM

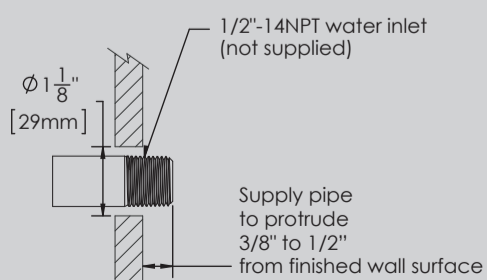
## SPEAKMAN®

### NOTES:

#### COMPLIANCE:

ASME A112.18.1/CSA B 125.1

#### CONNECTIONS:



Contractor to supply necessary inlet connections.

DIMENSIONS SUBJECT TO CHANGE WITHOUT NOTICE.

