

Plastic Ice Maker Outlet Box

SPECIFICATION

Furnish and install Plastic Ice Maker Box as manufactured by LSP Products Group, Specialty Products.

DESIGN FEATURES

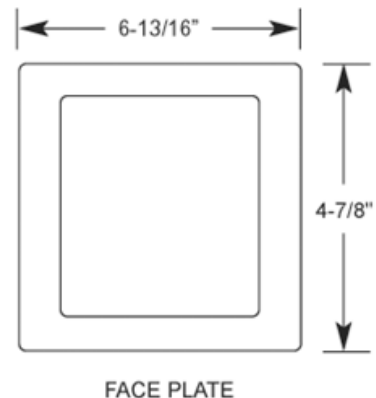
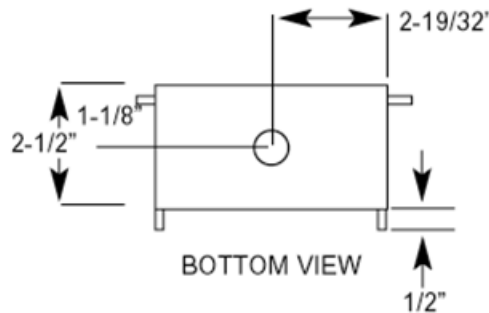
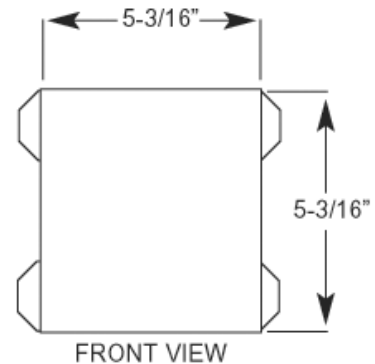
- Slim line box profile allows for 1" backing
- Molded from high impact plastic
- Adjustable face plate accommodates up to 5/8" wall thickness
- Available with non hammer arrester or hammer arrester, quarter-turn brass ball valve with PTFE seats
- Can be installed vertically, upside down, or horizontally

COMPLIANCES/LISTINGS

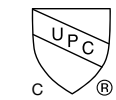
- IAPMO listed to ASME A112.18.1/CSA B125.1, File 4577
- IAPMO listed to ANSI/NSF 61, IAPMO file N-6614
- IAPMO listed to Lead Free Plumbing Law, file 6545
- Water Hammer Versions are IAPMO listed to ASSE 1010, File 4541



DIMENSIONS



ASME A112.18.1



ASSE 1010



LEAD FREE

NSF/ANSI 61



WITH NON HAMMER ARRESTER VALVES



WITH HAMMER ARRESTER VALVES

Part Number	Description	MSTR CTN QTY
WITHOUT VALVE		
OB-802	Beige, Without Valve	10
OB-803	White, Without Valve	10
WITH COPPER SWEAT VALVES		
OB-800-LL	Beige, Assembled, 1/2" COPPER SWEAT x 1/4" Comp.	10
OB-801-LL	White, Assembled, 1/2" COPPER SWEAT x 1/4" Comp.	10
WITH CPVC VALVES		
OB-807-LL	White, Assembled, 1/2" CPVC x 1/4" Comp.	10
WITH CRIMP PEX VALVES		
OB-811-LL	White, Assembled, 1/2" CRIMP PEX x 1/4" Comp.	10
OB-810-LL	White, Assembled, 3/8" CRIMP PEX x 1/4" Comp.	10
WITH UPONOR/WIRSBO VALVES		
OB-814-LL	White, Assembled, 1/2" UPONOR ProPex® x 1/4" Comp.	10
WITH VIEGA VALVES		
OB-843-LL	White, Assembled, 1/2" VIEGA PEX x 1/4" Comp.	10

Part Number	Description	MSTR CTN QTY
WITH COPPER SWEAT VALVES		
OB-817-LL	White, Assembled, 1/2" COPPER SWEAT x 1/4" Comp.	10
WITH CPVC VALVES		
OB-819-LL	White, Assembled, 1/2" CPVC x 1/4" Comp.	10
WITH CRIMP PEX VALVES		
OB-818-LL	White, Assembled, 1/2" CRIMP PEX x 1/4" Comp.	10
OB-820-LL	White, Assembled, 3/8" CRIMP PEX x 1/4" Comp.	10
WITH UPONOR/WIRSBO VALVES		
OB-824-LL	White, Assembled, 1/2" UPONOR ProPex® x 1/4" Comp.	10

*Add "-T" to the end of any part number for Tract Pack (face plates packaged separately)

Product Submittal	
Job Name:	Date:
Part Number:	Quantity:
Architect:	
Contractor:	

Content matter is subject to change at any time. It is the user's responsibility to ensure the most updated revisions are obtained. Rev C 05/2020