



# WATER COOLERS

## A171.8FGVR-BF1S Series

BARRIER FREE, 14 GAGE STAINLESS STEEL, ENHANCED VANDAL RESISTANCE, WALL MOUNTED WATER COOLER WITH -BF1S PUSHBUTTON OPERATED BOTTLE FILLER

### STANDARD FEATURES

#### Water Cooler

- Child or Adult ADA Compliant (when properly installed)
- 14 gage 304 Stainless Steel Apron, Basin and Access Panels
- Polished Stainless Steel, Anti-Rotation, Non-Squirt Bubbler
- Vandal Resistant Screws and Screened Louvers
- Hanging Bracket provided
- Auto-Stop allows service of Cartridge and Strainer without shutting off water supply

#### Bottle Filler

- ADA Compliant
- 100-Mesh Inlet Strainer
- 1 GPM Laminar Flow
- 100% Lead & Brass Free Cartridge and Strainer without shutting off Water Supply

### SUGGESTED SPECIFICATIONS

#### Water Cooler

Model A171408S-FG-VR-BF1S is a self-contained, vandal resistant, pressure Water Cooler that shall deliver a minimum of **8.0 GPH** (30.3 LPH) of water at 50°F (10°C) cooled from 80°F (26.7°C) inlet water and 90°F (32.2°C) ambient. Unit shall be activated by Chrome Plated Brass Pushbutton using less than 5 pounds of force. Bubbler shall be Lead-Free Stainless Steel with an integrally designed non-squirt feature and operate on a pressure range of 20-105 PSIG. **Unit shall be constructed from 14 gage, 304 Stainless Steel** with an Integral Drain and the Louvers shall have a Stainless Steel protective screen. Cooling system shall use R-134a refrigerant and be Capillary Tube controlled. An Adjustable Thermostat with an off position shall control the refrigeration system. Fountain is certified to ANSI A117.1, Public Law 111-380 (NO-LEAD), CHSC 116875 and NSF/ANSI 61, Section 9. Fixture meets ADA, ADA Standing Person, and ADA Child requirements when mounted appropriately. Unit shall be listed by Underwriters Laboratories for both the US and Canada, compliant to the Air Conditioning and Refrigeration Institute Standard 1010.

#### Bottle Filler BF1S

BF1S is a Pushbutton operated Bottle Filler. Housing construction will be 18 gage Stainless Steel with a satin finish. Bottler Filler shall be activated using a pneumatically operated Hemispherical Pushbutton using less than 5 pounds of force. Bottle Filler shall provide approximately 1 GPM flow rate with a Laminar Flow Spout to minimize splashing.

Model Number	GPH*	Rated Watts	Full Load Amps	Approx. Shipping Weight
A171408S-FG-VR-BF1S	8.0	335	4.4	100 lbs.

\* GPH of 50°F water at 90°F ambient room temperature and 80°F inlet water temperature  
Compressor motor operates on 115 Volt / 60 Hz single phase.



Test rating conditions are compliant with ARI 1010.



Model A171408S-FG-VR Shown  
PATENT# 10,100,933



“RATED FOR INDOOR AND OUTDOOR USE”

### MODEL:

(Must Specify)

- A171408S-FG-VR-BF1S Satin Stainless Finish

### OPTIONS

(additional costs may be incurred)

- CSC2 Concealed Support Carrier
- WB1 Wall Bezel, Stainless Steel
- WF1 1500-Gallon Capacity, NSF 42+53, 1 micron Lead Reduction Filter
- 220V 220 volt / 50 Hz Compressor



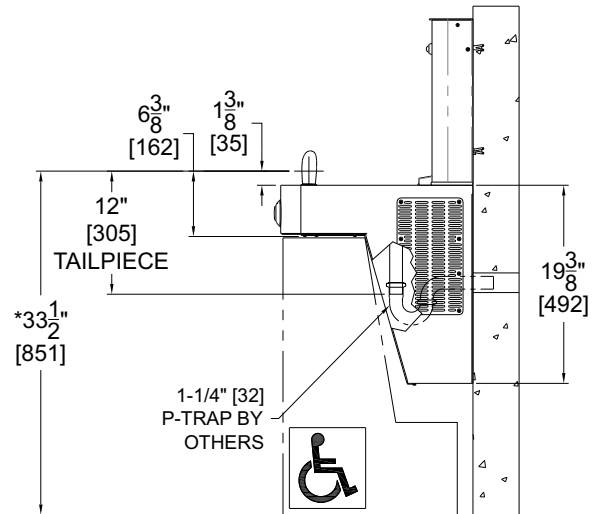
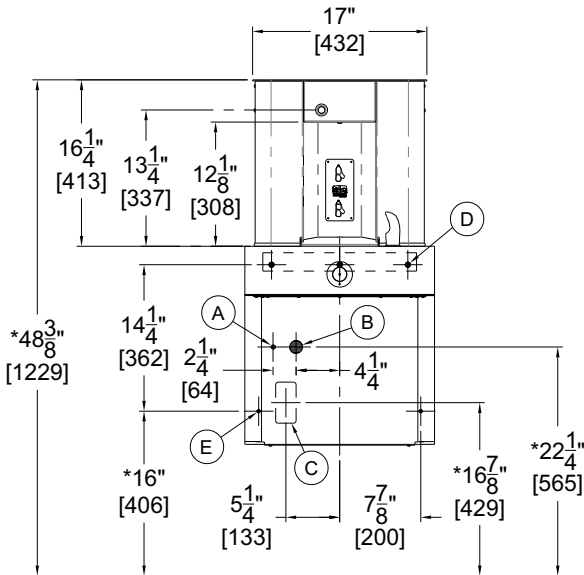
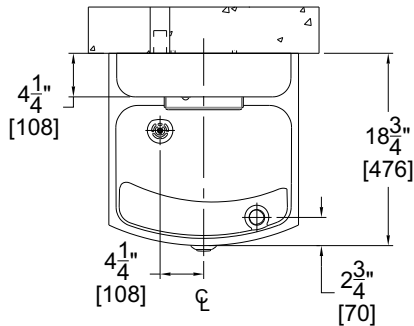
⚠ WARNING: Cancer and Reproductive Harm - www.P65Warnings.ca.gov



# WATER COOLERS

## A171.8FGVR Series

BARRIER FREE, 14 GAGE STAINLESS STEEL, ENHANCED VANDAL RESISTANCE, WALL MOUNTED WATER COOLER WITH -BF1S PUSHBUTTON OPERATED BOTTLE FILLER



**General Notes:**

1. All dimensions are in inches [MM]
  2. Allow 4 inches [102MM] minimum clearance per side for ventilation
  - \*3. Dimensions shown are for ADA adult height. Adjust vertical dimensions as necessary to comply with Federal, State & Local Codes
  4. Stop Valve, P-Trap & Electrical Outlet not supplied
  5. Important: Coolers must be attached to wall with appropriate Anchor Screws
- A. 3/8" O.D. Supply Inlet
  - B. Waste Outlet for 1-1/4" P-Trap, by others
  - C. Electrical Service Rough
  - D. Ø3/8" Hanger Bracket Punching, 3 places for Anchoring Hardware by others
  - E. Ø1/4" Punching, 2 places for Anchoring Hardware, by others

Murdock Mfg.™ warrants that its products are free from defects in material or workmanship under normal use and service for a period of one year from date of shipment. Murdock's liability under this warranty shall be discharged solely by replacement or repair of defective material, provided Murdock™ is notified in writing within one year from date of shipment, F.O.B. Industry, California.

<b>SELECTION SUMMARY &amp; APPROVAL FOR MANUFACTURING</b>	Model Number & Options _____	Quantity _____	All dimensions are subject to manufactures tolerance of plus or minus 1/2" nominal and subject to change without notice. Murdock assumes no responsibility for use of void or superseded data. Dimensions may change with the addition of optional accessories. Murdock Mfg.™, Member of Morris Group International™. Please visit <a href="http://www.murdockmfg.com">www.murdockmfg.com</a> for most current specifications.
	Company _____		
	Contact _____	Title _____	
	Signature (Approval for Manufacturing) _____	Date _____	