

# **SPEAKMAN®**

SE-4000

## **Installation, Operation, & Maintenance Instructions**

GRAVITYFLO™ PORTABLE EYEWASH

### **DESCRIPTION**

Speakman's GRAVITYFLO™ Portable Eyewash is ergonomically designed and barrier-free. The GRAVITYFLO™ reservoir body is one-piece molded from light, durable, high-density polyethylene. Its bright blue color provides high visibility during an emergency. Unique, high efficiency spray heads of contoured rubber give through eye and face coverage. The quick opening, reliable valve is representative of Speakman's commitment to excellence. The design incorporates an easy-carry molded-in handle grip.

GRAVITYFLO™ is ideally suited for use in a variety of Locations: industrial plants, laboratories, or at any site Without a portable or permanent plumbed-in water source.

GRAVITYFLO™ can also be used as a temporary back-up device for plumbed-in stations which are temporarily out of service. Additionally, this unit can be used for first aid while in transit to a hospital during emergency situations.

Speakman's GRAVITYFLO™ Eyewash is designed to exceed the ANSI recommended flow for a portable eyewash. Model SE-4000 makes emergency protection instantly available when required.

*CAUTION: This Eyewash container should only be used with potable water and/or Eyewash solutions intended for portable units.*

### **SPECIFICATIONS**

Meets ANSI Z358.1 for Portable Eye Wash Units

ANSI A117.1 for Barrier Free Design

U.S. PATENT NO. 5,216,765

### **INSTALLATION**

READ THIS SECTION COMPLETELY BEFORE INSTALLING

The following is a step-by-step sequence of how to install and maintain your Speakman SE-4000 GRAVITYFLO™ Eyewash.

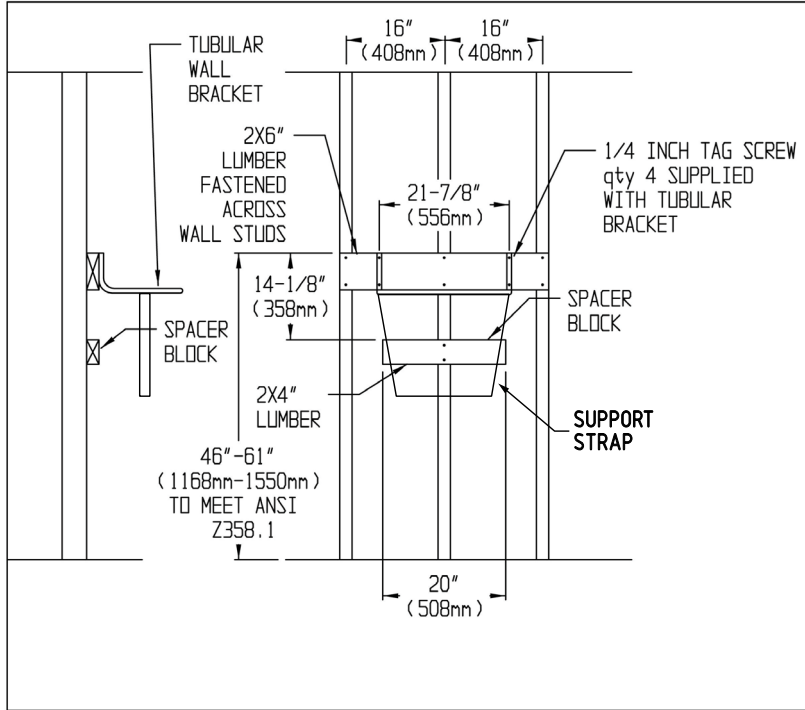
*Caution: The Eyewash SE-4000 weighs approximately 185 lbs. When filled with 21 gallons of water.*

**SPEAKMAN®**

Phone: 800-537-2107 Fax: 800-977-2747  
03/16/2020 www.speakman.com 92-SE-4000-02

IMPORTANT: When fastening or mounting the SE-4000 to a wall, make sure that the wall construction is suitable to hold a vertical load of 300 lbs. The SE-4000 comes complete with a Tubular Wall Bracket, hardware to mount the bracket, and a Support Strap. The Support Strap is designed to cradle the Eyewash Tank in the middle of the Tubular Bracket for proper weight distribution. When hanging from the Support Strap, the Tank should not touch the sides of the Tubular Bracket. The Tubular Bracket must be fastened securely to the wall studs as shown in Fig. No. 1.

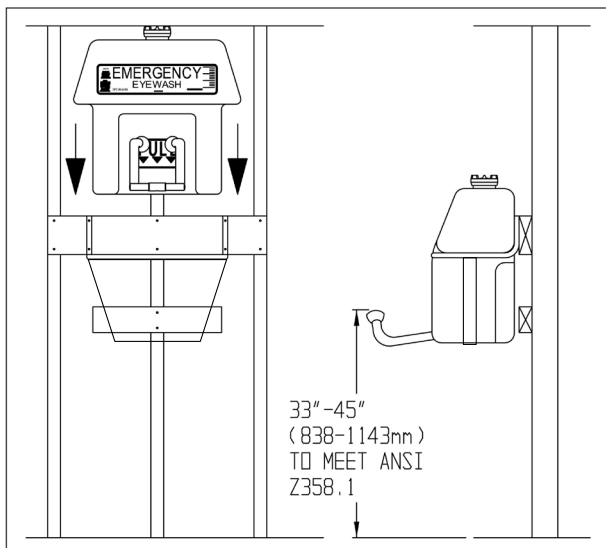
FIG. 1



*NOTE: Tubular Bracket can also be mounted flush to wall surface, providing adequate reinforcement and wall supports are installed. Spacer block not required when flush mount installation is chosen.*

Where concrete or other composition wall constructions are involved, consult a building contractor for the correct fastening and mounting hardware to install the tubular wall bracket. Installation height for the SE-4000 should be 33" to 45" from floor to eyewash spray heads (to meet ANSI Z358.1). (See Fig. No. 2)

FIG. 2



**SPEAKMAN®**

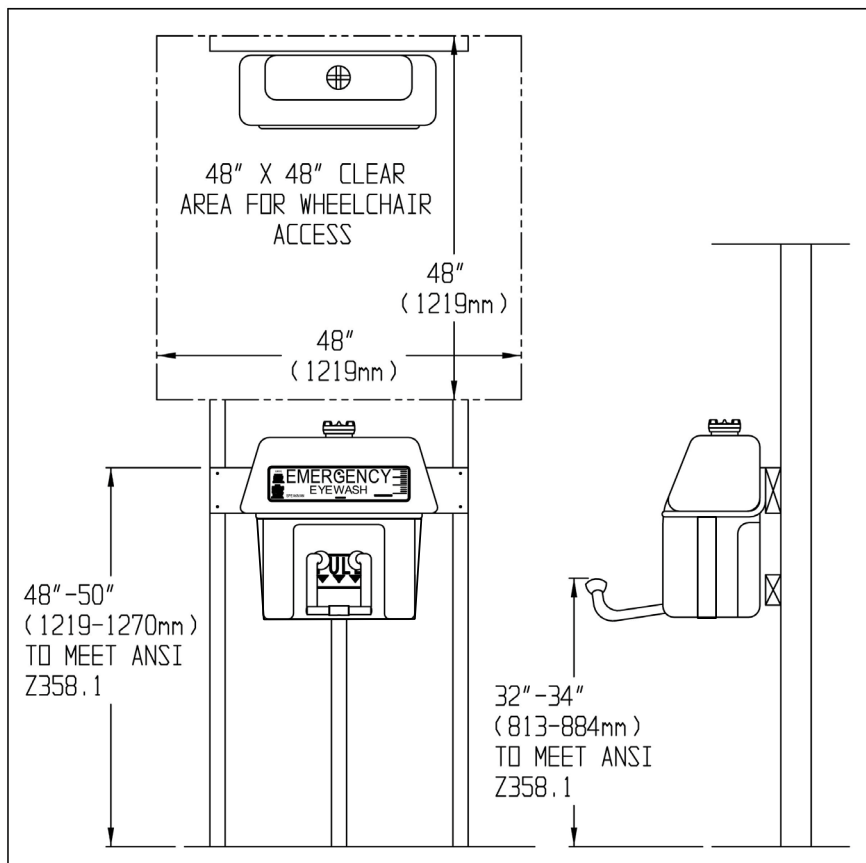
1. Clean inside of tank and flush system with clean water. Rinse thoroughly. (For periodic cleaning and maintenance see "Maintenance" section of this manual.)

2. Select a suitable location. Do not allow your GRAVITYFLO™ product to freeze or become overheated. We recommend the emergency Eyewash unit be in an accessible location that requires no more than 10 seconds to reach and within a travel distance of no more than 100 ft. from the hazard (to meet ANSI Z358.1). The area around the Eyewash should be well-lighted.

*\*NOTE: Where physically challenged people in wheelchairs use this product it may be necessary to lower the installation height to between 32" and 34" for ease of use.*

A clear area at each Eyewash station should be at least 48" by 48" and should allow either a forward or parallel approach by a person using a wheelchair. (See Fig. No. 3)

**FIG. 3 - ADA INSTALLATION**



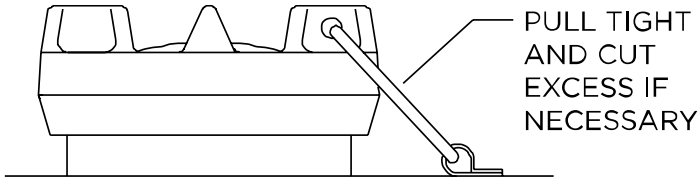
3. Slide both loops of Support Strap over each end of the Tubular Bracket and position it towards the middle of the horizontal tubular section. Position Tubular Wall Bracket as shown in Fig. No. 1 and secure with four (4) 1/4" lag screws provided. When drilling into tile, masonry, concrete, or other hard materials, wear safety goggles to prevent eye injuries.

4. Position the Support Strap on the Tubular Bracket so that when the tank is dropped/inserted into the Tubular Bracket, the Support Strap will cradle the Tank in middle for proper distribution. The entire Tank should be supported by this strap. **Note: the "ears" on each side of the Tank should not be touching the Tubular Bracket.** Insert SE-4000 down into the tubular wall bracket as shown in Fig. No. 2. Make sure that overhangs on left and right-hand side of plastic Eyewash container rest securely on tubular side arms.

**SPEAKMAN®**

5. Install Drain Plug and fill unit to desired capacity. (See Filling Instructions)
6. Pull down on Rubber Hand Grip to insure water flows to Eyewash heads. Return to closed vertical position.
7. Date and replace "Testing Record Tag" and affix "Tamper Evident Tie" to the small plastic clip fastened to the top cap of the SE-4000. (See Fig. No. 4.)

**FIG. 4**



## **OPERATION**

To activate unit pull Spray Head/Arm Assembly downward to OPEN position.  
To deactivate push Spray Head/Arm Assembly upward to OFF position.

**IMPORTANT:** For proper operation for 15 minutes, the tank shall be refilled **EVERY TIME** the unit is activated for **ANY** reason.

## **FILLING INSTRUCTIONS**

1. The SE-4000 has a total fill capacity of 21 US gallons for maximum performance. In the interest of safety, Speakman Company recommends that the unit be filled to capacity of 21 US gallons at all times.
2. Start with a clean eyewash container.
3. Fill the eyewash tank with 21 gallons of clean, potable water.

## **MAINTENANCE**

The Speakman GRAVITYFLO™ Portable Eyewash has been designed for years of trouble-free service. It is critical to keep this unit clean at all times.

### **Daily Cleaning (Portable Water Solution)**

It may be necessary under certain conditions to replace the portable water on a daily basis where quality of water is suspect of where excessive Hot/Cold water temperature changes occur. Empty unit by removing side plug or allow water to run from spray heads by activating the valve. Another alternative is to siphon water with a hose.

### **Weekly Cleaning & Disinfecting (Potable Water Solution)**

Add 1/2 cup (4 fl. oz.) of Clorox (liquid bleach) to the 21 gallons of potable water and mix thoroughly. Allow Clorox/water mixture to sit for 15 minutes, drain contents, and rinse several times thoroughly with clean potable water. This procedure will disinfect and clean the inside of the tank. Finally, refill the Eye/Face Wash container with clean potable water. A high-pressure spray nozzle can also be used to clean the inside of tank, if necessary. For further information on Clorox, call them toll-free at 1-800-292-2200.

### **Reminder**

Speakman Company recommends weekly testing for optimum performance and recording of results for maximum efficiency. Several test record tags are provided for this purpose.

**SPEAKMAN®**

Phone: 800-537-2107 Fax: 800-977-2747  
03/16/2020 www.speakman.com 92-SE-4000-02

## Cleaning Rubber Eye Guard Assembly

Unscrew rubber eye guard assembly from threaded rubber arm grip using a counter-clockwise motion. During cleaning, seal threaded arms with plastic caps provided. Push back on rubber eye guard and remove spray head. Twist turn cap and base to disassemble. Scrub all components clean with hot soapy water and rinse thoroughly. Reassemble and replace on unit. Test water flow to be sure unit is operational.

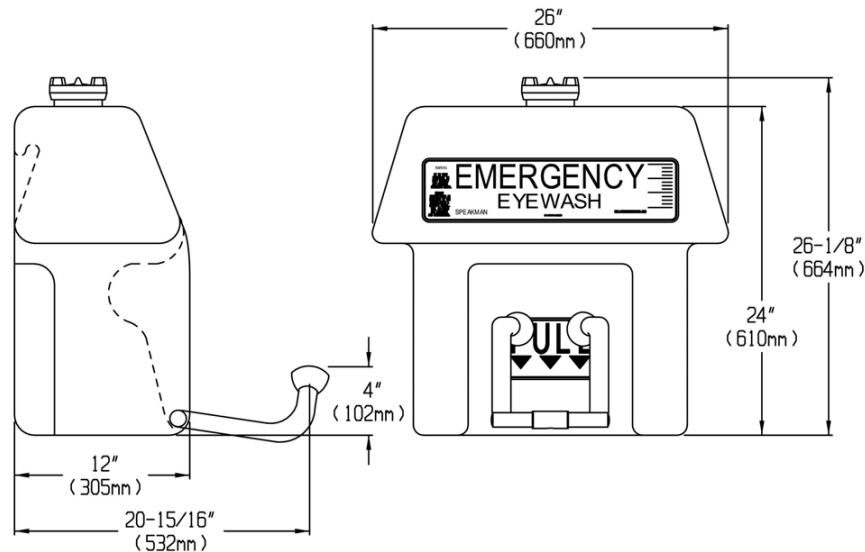
### Important:

Self-contained eyewash equipment shall be visually checked frequently to determine if flushing fluid needs to be changed or supplemented. Frequency of these inspections is dependent on environment conditions, but at a minimum weekly. Failure to conduct visual checks could lead to further injury. Customer shall take precautions to help prevent the growth of potentially harmful bacteria in eyewash tanks. Either of the following procedures is recommended.

Procedure 1: Use suitable Bacteriostatic preservative to help prevent growth of bacteria in eyewash tank. Eyewash tank should be drained, flushed and refilled with clean potable water and Bacteriostatic preservative added as directed by the preservative's manufacturer.

Procedure 2: Drain, flush and refill units with clean potable water at least once every week unless site conditions require more frequent changing. Thoroughly cleanse tank at least once every month. See cleaning instructions for further information of cleaning unit.

## ROUGH-IN



Capacity: 21 (US) gallons portable water. All dimensions +/- 1/4", and subject to change without notice. Meets ANSI Z358.1 for portable eye wash units and ANSI A117.1 for barrier free design

## REPLACEMENT/REPAIR PARTS

ITEM	PART/GROUP #	DESCRIPTION
1	RPG07-0089	Cap Standard
2	RPG38-0347	Spray Head Assembly
3	RPG20-1894	Complete Valve
N/S	RPG05-0660	Supply Tube, Connector, and In-Line Strainer
	RPG99-0095	Tamper Evident Ties (Pkg of 10)
	RPG99-0094	Test Record Tag (Pkg of 10)
	RPG05-0631	Dust Caps w/Chain

**WARNING: Use only genuine Speakman parts when repairing or replacing components. To order parts call 1-800-537-2107.**

**SPEAKMAN®**

Phone: 800-537-2107 Fax: 800-977-2747  
03/16/2020 www.speakman.com 92-SE-4000-02