

**Wash-N-Go!**<sup>™</sup>

**MODEL GWJ84 SERIES**

**BARRIER FREE, PEDESTAL MOUNTED  
HAND WASHING STATION**

**STANDARD FEATURES**

- ADA Compliant (when properly installed)
- Resistant to sunlight, heat, moisture and wear
- 16 gage, type 304 stainless steel bowl
- 12 gage, heavy duty stainless steel, corrosion and scratch resistant finish
- Hands Free Sensor Faucet
- 100 mesh inlet strainer
- Access door, heavy duty stainless steel, vandal resistant
- Vandal resistant stainless steel bottom plate

**SUGGESTED SPECIFICATIONS**

Model GWJ84 series barrier free pedestal mounted, vandal resistant round Hand Washing Station made from 16 gage type 304 stainless steel bowl mounted into a 12 gage, heavy duty stainless steel support arm with powder coated or stainless steel finish. Unit shall be activated by a 9 Volt DC Hands Free Sensor Operated Battery Faucet with 0.5 GPM Laminar flow outlet to minimize splash. Hand wash to comply with ANSI A117.1, Public Law 111-380 (NO-LEAD), CHSC 116875. Fixture to meet ADA requirements.

**MODEL:**

(Must Specify)

- GWJ84 Satin stainless finish
- GWJ85 Green powder-coated (Shown)
- GWJ86 Red powder-coated
- GWJ87 Blue powder-coated

Custom color finishes available upon request.



Model GWJ85-SO-BAT Shown

**OPERATION:**

(Must Specify)

- SO-BAT Sensor operation, Battery powered faucet

**OPTIONS AND ACCESSORIES:**

(additional costs may be incurred)

- GW000-PS Pump Soap Dispenser <sup>2</sup>
- CH31 Child height, 31" Rim height
- FS Foot shower <sup>1</sup>
- HB1 Hose bibb, compression, hose threaded outlet/VB <sup>1</sup>
- HB2 Hose bibb, loose key, hose threaded outlet / VB <sup>1</sup>
- HB3 Hose bibb, loose key, vandal resistant, with hose threaded outlet and vacuum breaker <sup>1</sup>
- IAP In-ground anchor plate <sup>1</sup>
- IGM In-ground 14" mounting
- JF1 Jug filler, spigot, self-closing valve, plain end <sup>1</sup>
- JF2 Jug filler, pushbutton, self-closing valve, plain end <sup>1</sup>
- LOGO Customer specified logo
- PF Pet fountain receptor <sup>1</sup>

Contact factory for information on freeze resistant models.

Option Details

<sup>1</sup> See separate options sheet for details.

<sup>2</sup> Side Mounted "Urn Style" with Mounting Bracket and Hardware. Non-ADA Compliant

Complies with the following standards:



Member of U.S. Green Building Council



Recyclable Product



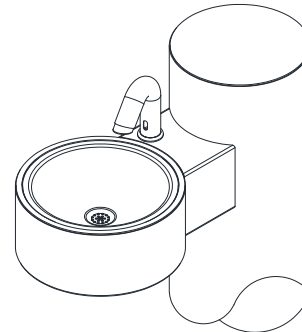
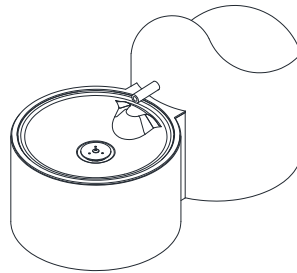
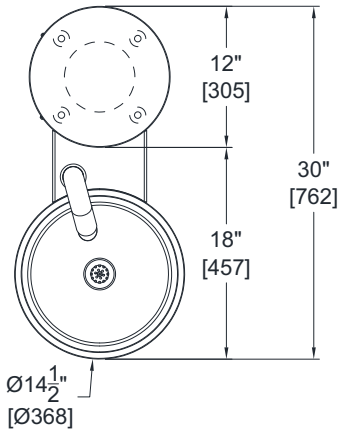
Water Conserving Product

⚠ WARNING: Cancer and Reproductive Harm - www.P65Warnings.ca.gov

\* Valve specifications:  
Minimum/Maximum Pressure  
30 to 100 psi.

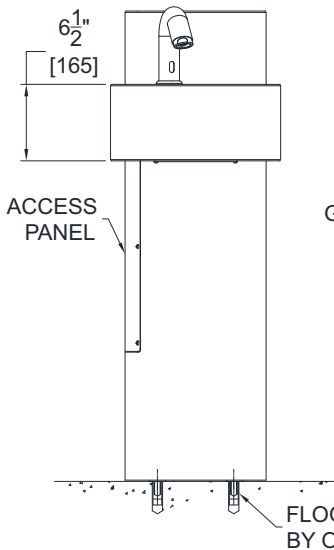
**Wash-N-Go!**<sup>™</sup>  
**MODEL GWJ84 SERIES**

**PEDESTAL HAND WASHING STATION**



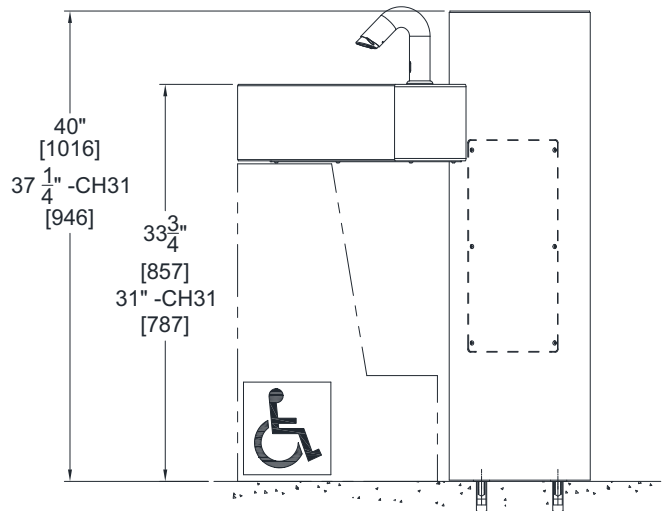
GWJ84-SO

**OPTIONAL -PF PET  
FOUNTAIN  
DETAIL**



**GENERAL NOTES:**

1. ALL DIMENSIONS ARE IN INCHES [mm]
2. DIMENSIONS SHOWN ARE FOR RECOMMENDED ADULT HEIGHT. ADJUST VERTICAL DIMENSIONS AS NECESSARY TO COMPLY WITH FEDERAL, STATE & LOCAL CODES.



Murdock Mfg.<sup>™</sup> warrants that its products are free from defects in material or workmanship under normal use and service for a period of one year from date of shipment. Murdock's liability under this warranty shall be discharged solely by replacement or repair of defective material, provided Murdock<sup>™</sup> is notified in writing within one year from date of shipment, F.O.B. Industry, California.

<b>SELECTION SUMMARY &amp; APPROVAL FOR MANUFACTURING</b>	Model Number & Options _____	Quantity _____	All dimensions are subject to manufactures tolerance of plus or minus 1/2" nominal and subject to change without notice. Murdock assumes no responsibility for use of void or superseded data. Dimensions may change with the addition of optional accessories. Murdock Mfg. <sup>™</sup> , Member of Morris Group International <sup>™</sup> . Please visit <a href="http://www.murdockmfg.com">www.murdockmfg.com</a> for most current specifications.
	Company _____		
	Contact _____	Title _____	
	Signature (Approval for Manufacturing) _____	Date _____	