



# OUTDOOR BOTTLE FILLERS

## M-OBR4-GRC Series MODEL M-OBR4-GRC

RECESSED OUTDOOR BOTTLE FILLER  
WITH GRC DRINKING FOUNTAIN

### STANDARD FEATURES

- 115v Plug-in transformer
- Pushbutton and hands free sensor operated bottle filler
- 100 mesh inlet strainer
- Laminar Flow Water Supply
- 1.0 GPM Fill Rate
- Lead-free
- Lead and cyst filter for bottle filler
- Bottle filler meets ADA forward side and reach requirements
- Vandal-resistant design
- Gasketed door for weather resistance
- ADA Complaint (when properly installed)
- Resistant to sunlight, heat, moisture and wear
- 18 gage, 304 stainless steel bowl
- 12 gage, heavy duty stainless steel arm, corrosion and scratch resistant
- Polished Stainless steel, anti-rotation non-squirt bubbler

### SUGGESTED SPECIFICATIONS

Model M-OBR4-GRC is a recessed outdoor bottle filler. Housing has a slim and trim look that blends into your environment. Unit also has a strong vandal-resistant design for years of trouble-free service. Bottle filler shall be activated by a 9 volt sensor or a pushbutton as standard. Fixture has a self-closing pushbutton, needing less than 5 pounds of force which shall activate the internally mounted valve. When installed properly, the bottle filler complies with ADA forward and side reach requirements. Bottle filler is fabricated of type 304 stainless steel. Unit includes GRC series barrier free drinking fountain. Bottle filler cabinets and drinking fountain shall be either stainless steel with powder coat or satin finish. Unit complies with ANSI A117.1, Public Law 111-380 (NO-LEAD), CHSC 116875 and NSF/ANSI 61, Section 9. Fixture meets ADA requirements when mounted appropriately.



### MODEL:

(Must Specify)

- M-OBR4-GRC Satin stainless finish (Shown)
  - M-OBR5-GRC Green powder-coated
  - M-OBR6-GRC Red powder-coated
  - M-OBR7-GRC Blue powder-coated
- Custom color finishes available upon request

### OPTIONS

(additional costs may be incurred)

- BAT Battery operated (N/A with bottle counter)
- BCD Bottle counter display
- FRA2 Freeze-resistant valve system, 2 valves (Less filter and sensor)
- LOGO Customer specified logo
- MO Bottle filler operated by pushbutton only (Standard with freeze-resistant valve)
- A9100080-A 8 GPH remote water chiller (Located on interior wall, not exposed to weather)

Complies with the following standards:



Member of U.S. Green Building Council



Recyclable Product



Water Conserving Product

⚠ WARNING: Cancer and Reproductive Harm - [www.P65Warnings.ca.gov](http://www.P65Warnings.ca.gov)

MURDOCK MFG. • 15125 Proctor Avenue • City of Industry, CA 91746 USA  
Phone 800-453-7465 or 626-333-2543 • Fax 626-855-4860 • [www.murdockmfg.com](http://www.murdockmfg.com)

Member of MORRIS GROUP INTERNATIONAL

MOBR4-GRC

Revised: 04/18/18

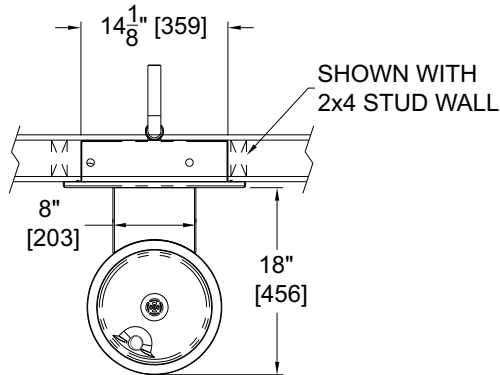


# OUTDOOR BOTTLE FILLERS

## M-OBR4-GRC Series

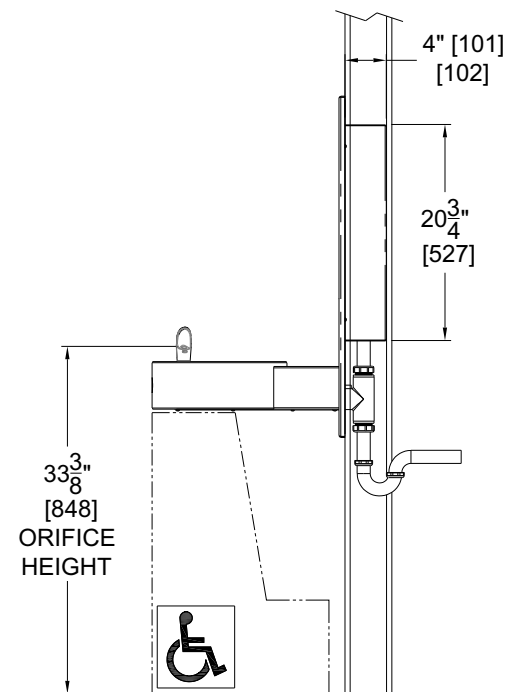
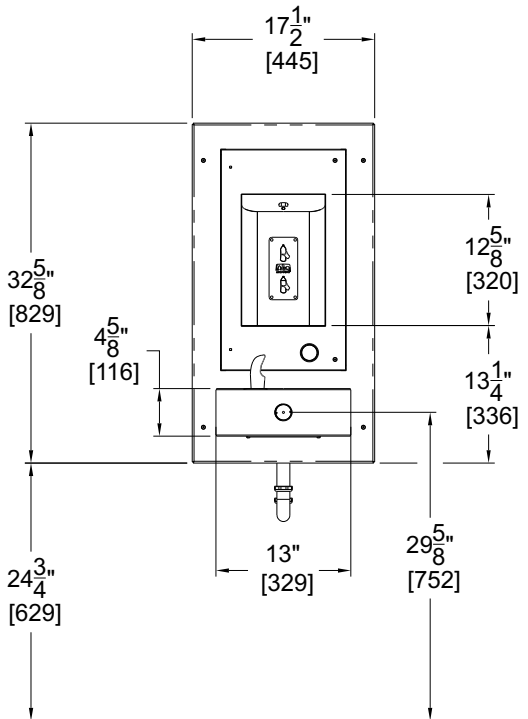
### MODEL M-OBR4-GRC

RECESSED OUTDOOR BOTTLE FILLER  
WITH GRC DRINKING FOUNTAIN



**GENERAL NOTES:**

1. ALL DIMENSIONS ARE IN INCHES [MM]
- \*2. DIMENSIONS SHOWN ARE FOR RECOMMENDED ADULT HEIGHT. ADJUST VERTICAL DIMENSIONS AS NECESSARY TO COMPLY WITH FEDERAL, STATE & LOCAL CODES
3. STOP VALVE NOT PROVIDED



Murdock Mfg.™ warrants that its products are free from defects in material or workmanship under normal use and service for a period of one year from date of shipment. Murdock's liability under this warranty shall be discharged solely by replacement or repair of defective material, provided Murdock™ is notified in writing within one year from date of shipment, F.O.B. Industry, California.

<b>SELECTION SUMMARY &amp; APPROVAL FOR MANUFACTURING</b>	Model Number & Options _____	Quantity _____	All dimensions are subject to manufactures tolerance of plus or minus 1/2" nominal and subject to change without notice. Murdock assumes no responsibility for use of void or superseded data. Dimensions may change with the addition of optional accessories. Murdock Mfg.™, Member of Morris Group International™. Please visit <a href="http://www.murdockmfg.com">www.murdockmfg.com</a> for most current specifications.
	Company _____		
	Contact _____	Title _____	
	Signature (Approval for Manufacturing) _____	Date _____	

**MURDOCK MFG.** • 15125 Proctor Avenue • City of Industry, CA 91746 USA  
Phone 800-453-7465 or 626-333-2543 • Fax 626-855-4860 • [www.murdockmfg.com](http://www.murdockmfg.com)

Member of  
**MORRIS GROUP INTERNATIONAL**