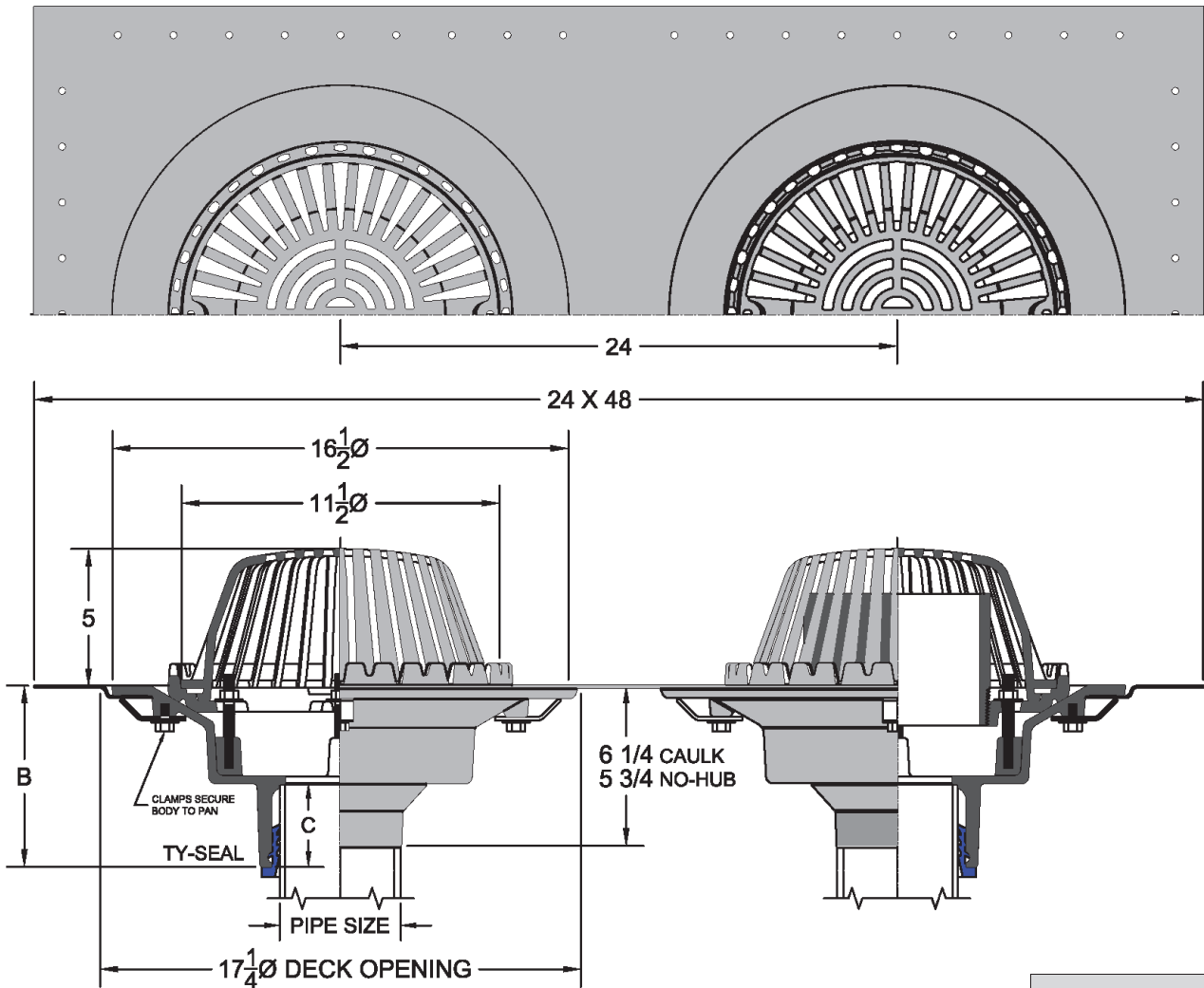


3041 16-3/8" Diameter, Combination Roof & Overflow Drain

Project	Engineer	Mechanical
---------	----------	------------



3041	-3 Cast Iron Body with Rough Bronze Dome	-32 Cast Iron Body with Poly Dome	-42 Cast Iron Body with Cast Iron Dome	-46 Cast Iron Body with Aluminum Dome
•				

Dome Free Area
113.5 Sq. In.

Dimensions (In.)		
Pipe Size	B	C
2"	6 3/8	2 1/2
3"	6 5/8	2 3/4
4"	6 7/8	3
6"	6 3/8	3

Outlet Variations		
Type	Designation	•
Inside Caulk	2IC,3IC,4IC,5IC,6IC	
No-Hub	2NH,3NH,4NH,5NH,6NH,8NH	
Push On Gasket	2TY,3TY,4TY,6TY(CI),6TX(PVC)	
Threaded	2IPS,3IPS,4IPS,5IPS,6IPS,8IPS	

Optional Extensions		
Suffix	Description	•
-ADF	Adjustable Extension*	Painted
		-39 Galv
-AE	Adjustable Deck Riser*	Painted
		-39 Galv
-DF	Fixed Extension (1",2",3" or 4")*	Painted
		-39 Galv

Regularly Furnished: Cast iron roof & overflow drain with flange, flashing ring, gravel stop, bearing pan with hardware, & internal overflow dam.

Suffix Options		
Suffix	Description	•
-ARC	Acid Resistant Coating	
-DFS	Perforated Stainless Steel Extension (1"-4")*	
	For Each Additional 1" (Add / In.)	
-DP	Perforated Stainless Steel Gravel Stop (4") *	
-VP	Vandal Proof Top Assembly	
-39	Galvanized Cast Iron	-32
		-42
-49	Bronze Mesh Over Dome	
-50	Stainless Steel Mesh Over Dome	