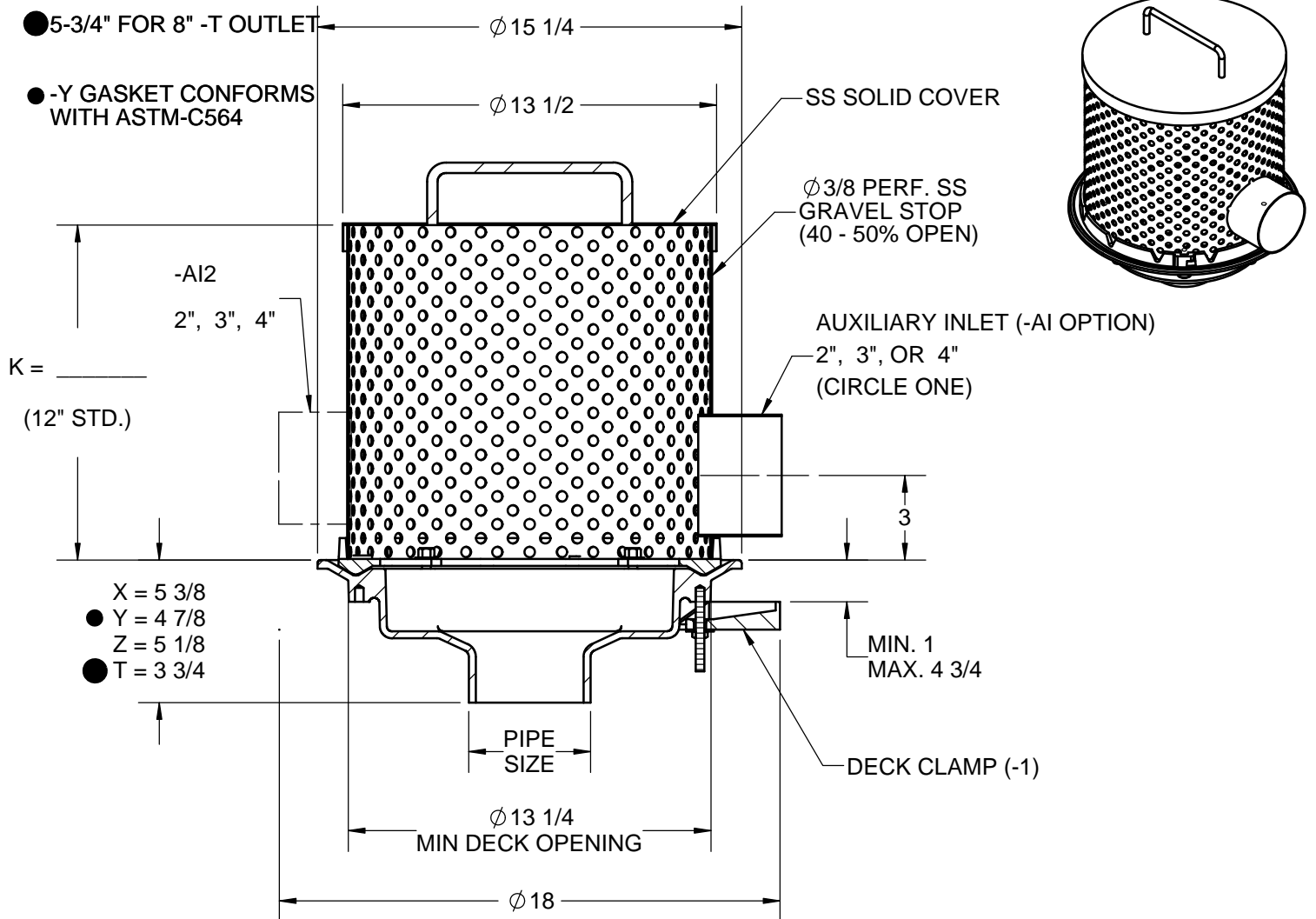


**SPECIFICATION:**

JOSAM SERIES 21500-RDG2 COATED CAST IRON DRAIN BODY AND WEJLOC® CLAMP RING AND STAINLESS STEEL GRAVEL STOP WITH STAINLESS STEEL COVER AND OPTIONAL AUXILIARY INLET.

**ROOF DRAIN  
GREEN ROOF**

SERIES **21500-RDG2**



2"	PIPE SIZE		-AE	THREADED LEVEL ADJ. EXT.
3"	PIPE SIZE		-AER	ADJ. EXT. USING THREADED RODS
4"	PIPE SIZE		-PC	PERFORATED COVER
5"	PIPE SIZE		-1	DECK CLAMP ASY.
6"	PIPE SIZE		-2	DRAIN RECEIVER
8"	PIPE SIZE		-3	DECK CLAMP ASY. AND DRAIN RECEIVER
10"	PIPE SIZE (NO-HUB ONLY)		-3C	DRAIN RECEIVER AND DRAIN RECEIVER CLIPS
			-4	SECONDARY FLASHING CLAMP (-AE ONLY)
-X	INSIDE CAULK OUTLET		-6	EXTRA WIDE FLANGE DRAIN BODY (-X OUTLET ONLY)
-Y	HUB OUTLET W/GASKET (2", 3" & 4" SIZES ONLY)		-10	FIXED EXT. COLLAR, CAST IRON (SPECIFY HT. 4" STD)
-Z	NO-HUB SPIGOT OUTLET		-10-20	FIXED EXT. COLLAR, GALV. (SPECIFY HT. 4" STD)
-T	THREADED OUTLET		-20	GALV. CAST IRON PARTS
			-33	SS MESH COVERED GRAVEL STOP (16 X 16 MESH)
-AI	AUX INLET (SPECIFY SIZE)		-66	NO-HUB SIDE OUTLET (2" THRU 6" OUTLETS ONLY)
-AI2	SECOND AUX INLET (SPECIFY SIZE)			

DATE OF LAST CHANGE: 6/26/18

DIMENSIONS ARE SUBJECT TO MANUFACTURERS TOLERANCES AND CHANGE WITHOUT NOTICE. WE CAN ASSUME NO RESPONSIBILITY FOR USE OF SUPERSEDED OR VOID DATA.

**JOSAM**  
MICHIGAN CITY, INDIANA

NOTES

WARNING: Cancer and Reproductive Harm - www.P65Warnings.ca.gov