

DURA ROOF DRAINS

- DURA RETROFIT DRAINS
- DURA SCUPPER DRAINS
- ACCESSORIES

COMPATIBLE WITH BUR, MODIFIED & EPDM

DURA ROOF DRAIN

Dura Retrofit Anti-Backup Roof Drains made of thermoplastic rubber, highly resistant to ultraviolet sunrays, and other atmospheric and chemical conditions. Order basket strainer separately.

DURA DRAIN ACCESSORIES

DUA 10 Perforated Ring w/Stainer Dome

The perforated ring is specially designed to hook onto the strainer dome and can be attached to every waterproof surface with asphalt or mastic by means of the many conical holes in the ring. Three hooks secure the strainer dome in place.

DUA 20 Basket Strainer for Dura Anti-Backup

Flexible open weave basket designed to fit drain openings 3" to 5"

DUA 30 Basket Strainer for 6" Dura Drain

This large drain has different characteristics and can be fitted on residential and industrial roofs. An inside knurled ring permits the strainer dome to be anchored.



DUA 20



DUA 30



DURA ROOF DRAINS

ROOF DRAIN ACCESSORIES

DURA SCUPPER DRAINS

Key features of these drains are their installations on inside or outside walls in either horizontal or vertical applications. Suitable for flat roofs, terraces, shallow slopes, etc. Order canted grate separately.

Figure 1 Catalog # - SCP 44C (canted)
Length 12" Opening 4' x 4" c/w SAG (canted grate)

Figure 2 Catalog # - SCP 44NC (no cant)
Length 16 3/4" Opening 4' x 4" Grate not available

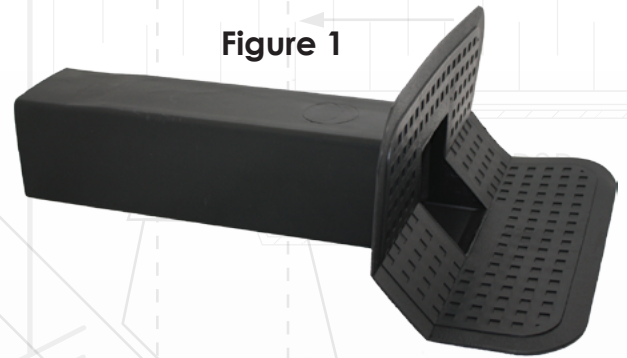


Figure 1

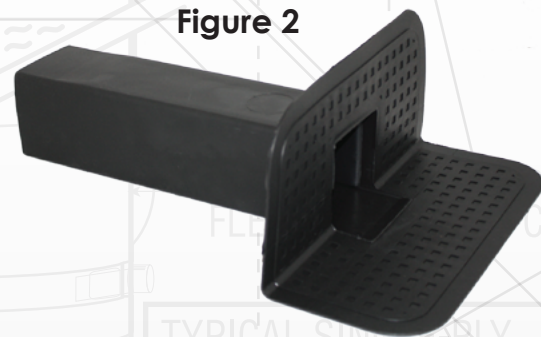


Figure 2

SCUPPER DRAIN ACCESSORIES

Accessories adapt scupper drains to specific roof drainage applications.

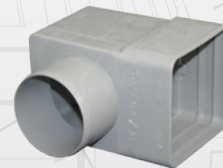
Cat#	Description
SA-ES4	Elbow for 4" x 4" square openings
SA-ER3	Elbow for 4" square to 3" round openings
SA-ER4	Elbow for 4" square to 4" round openings
SA-DB/BRN	Drain box with cover - Brown



SA-ER4



SA-DB



SA-ER3

PB PIPE BOOT

PB Pipe boot in thermoplastic rubber. Flange has flexible 12" diameter ribbed collar for secure flashing.



PB