

SPEAKMAN COMPANY

VS-1000-AF Installation, Maintenance & Operation Instructions **VERSATILE® HAND HELD SHOWER COMBINATION**

DESCRIPTION

VERSATILE® hand held shower combination. 2" fully adjustable black spray face. Chrome plated brass supply ell with wall flange. Chrome plated brass wall mounted post for swivel connector. 69" square lock stainless steel hose with rubber liner. Chrome plated in-line vacuum breaker. Water conserving pressure compensating AUTOFLO® device reduces flow to 2.5 GPM/9.46LPM maximum, to meet existing ANSI A112.18.1M Standard. ½" NPT female inlet.

SPECIFICATIONS

SUPPLY INLET: ½" NPTF
FLOW RATE: 2.5 GPM/ 9.46LPM MAXIMUM
FLOW CONTROL: VARIABLE
SHIPPING WEIGHT: 2.11 LBS.

OPTIONS

◇ VH: 69" White Vinyl Hose

INSTALLATION

Note: All connection seals are made with a rubber washer except the supply ell inlet connection. Use teflon tape or pipe dope on the supply pipe thread for ell and wrench tighten the connection. Firmly hand tighten rubber washer seals.

Slip the supply ell wall flange onto the inlet pipe. Screw ell onto pipe. Connect vacuum breaker to supply ell.

Swivel connector installation: Connect swivel to hand held shower and one end of hose. Connect other end of hose to vacuum breaker.

Wall post installation: Mount bracket to wall using screws and anchors provided.

Turn water supply on and check for leaks.

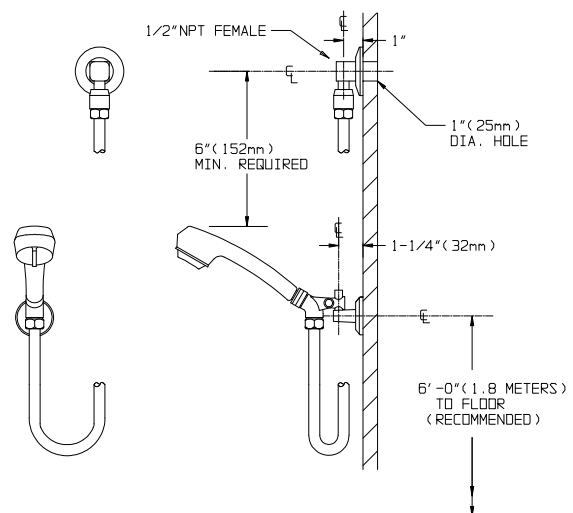
OPERATION

To adjust the spray pattern of the hand shower, simply rotate the spray face to the desired spray.

MAINTENANCE

The finish of your SPEAKMAN VERSATILE® hand held shower combination can be cleaned by using mild soap and warm water. Dry immediately with a soft, clean cloth for best results. The flow control device limits water flow to 2.5 gallons per minute. The small orifice may become clogged with scale and other minerals found in potable water. To clean the flow regulator, located in the hand shower, simply remove the hose from the hand shower and clean as necessary.

ROUGH-IN MEASUREMENTS



Product improvements may cause specification and dimensional changes without notice.

SPEAKMAN®

PO Box 191 Wilmington, DE 19899

Phone: 800-537-2107 Fax: 800-977-2747

Visit us on the web at www.speakmancompany.com

09/07
REV 1
92-1767