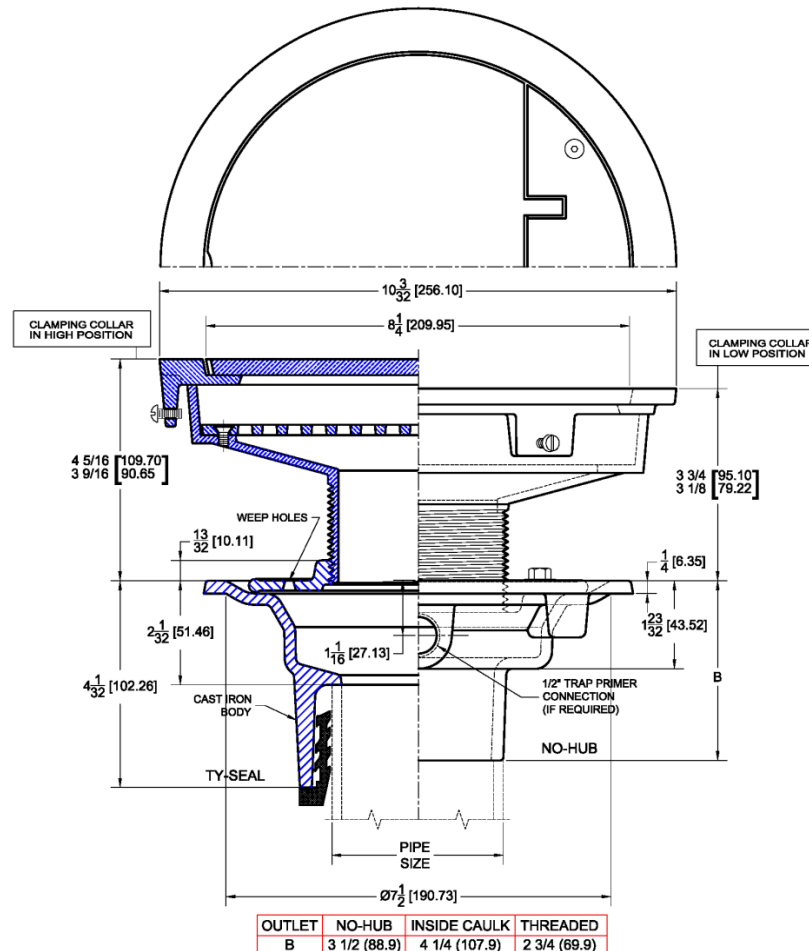


1100-L Floor Drain with Round Adjustable Top – Hinged Solid Cover

Regularly Furnished: Painted cast iron floor drain body with anchor flange, seepage openings, reversible clamping collar, adjustable top, secured hinged solid cover, secondary strainer, 1/2" NPT trap primer tap (plugged) and bottom outlet. ASME Load Rating = L.D. (Light Duty) Under 2,000 Lbs.



Top Material		
✓	Suffix	Description
	-1	Satin Finish Nickel Bronze
	-2	Satin Finish Bronze
	-102	Polished Chrome Plated

✓	Top Size & Type	Outlet Size In.
	L	2,3,4,6

Outlet Variations		
✓	Type	Designation
	No-Hub	2NH, 3NH, 4NH, 6NH
	Push-On	2TY, 3TY, 4TY
	Inside Caulk	2IC, 3IC, 4IC
	Threaded	2IPS, 3IPS, 4IPS

Funnel		
✓	Suffix	Description
	-EF4	4" Round Funnel Assembly
	-EF6	6" Round Funnel Assembly
	-EG8	8" Elongated Funnel Assembly

Options		
✓	Suffix	Description
	-ARC	Acid Resistant Coating (C.I. Parts)
	-DC	Debris Cover
	-DIA	Deck Installation Assembly
	-SO	90° Side Outlet (No-Hub Only)
	-TSD	Trap Seal Device (Model 4405)
	-27	Sediment Bucket
	-31	Backwater Valve
	-33	Closure Plug
	-39	Galvanized Iron Parts
	-83	Special Engraving
	-94	Extension Adapter