

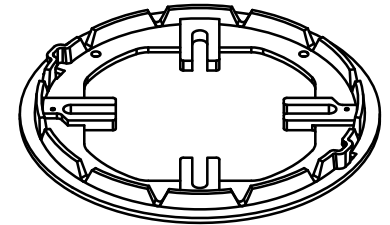
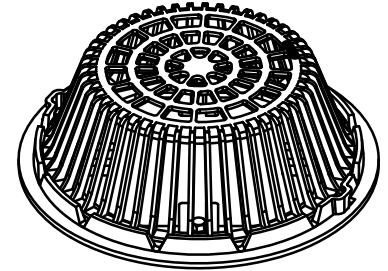
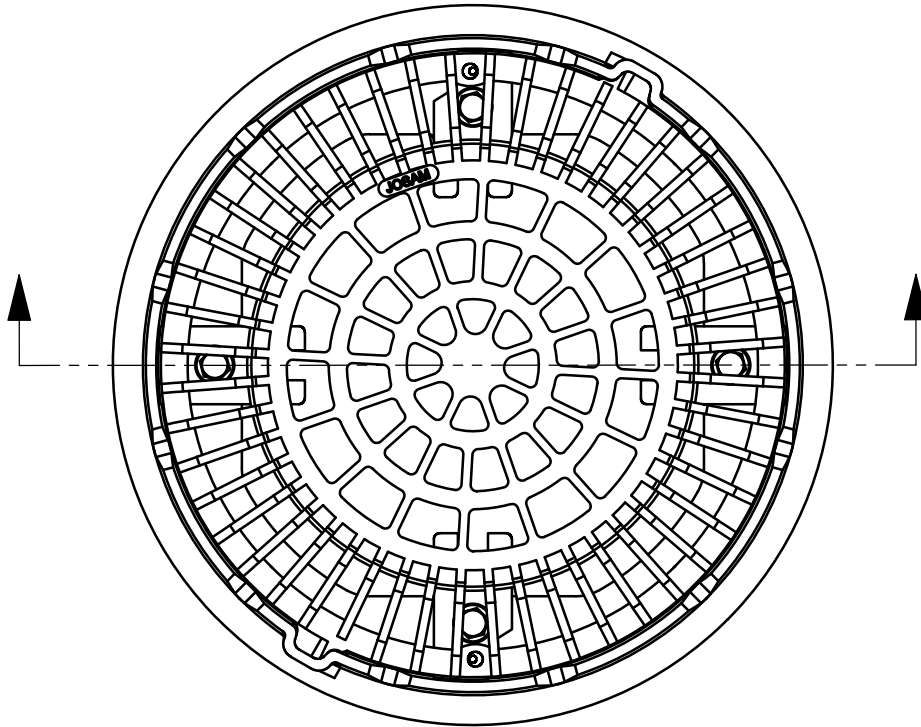
SPECIFICATION:

JOSAM SERIES RD-700 ROOF DRAIN TOP ASSEMBLY WITH FITSALL CLAMP RING WITH INTEGRAL GRAVEL STOP TO FIT BOLT CIRCLE DIAMETERS OF 7-1/2" TO 11", LARGE DOME, AND HARDWARE.

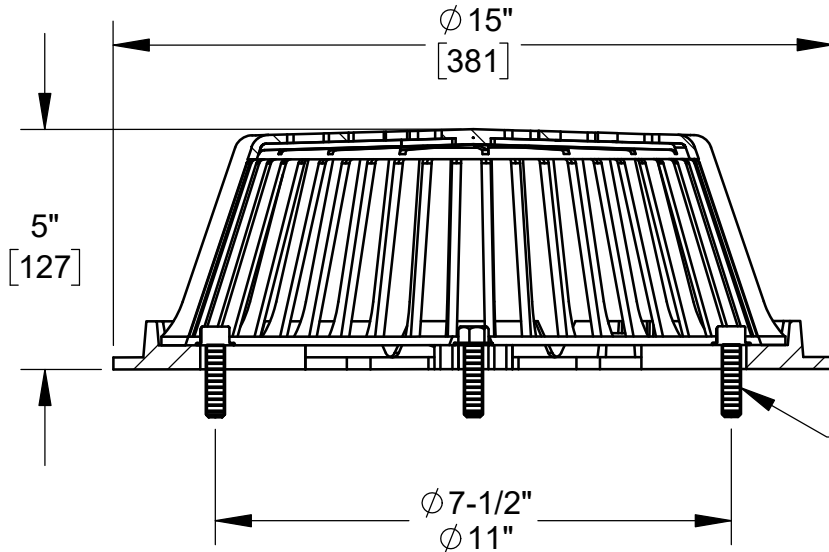
**ROOF DRAIN
"FITSALL"
TOP ASSEMBLIES**

SERIES **RD-700**

SPECIFY DOME TYPE BELOW



RD700 CLAMP RING



(4) 3/8"-16
HEX WASHERHEAD BOLTS
SUPPLIED

OPTIONS:

-PD	POLYPROPYLENE DOME
-CD	CAST IRON DOME
-AD	ALUMINUM DOME
-VP	SECURED DOME, VP SCREWS

WARNING: Cancer and Reproductive Harm - www.P65Warnings.ca.gov

DATE OF LAST CHANGE: 06/27/18

DIMENSIONS ARE SUBJECT TO MANUFACTURERS TOLERANCES AND CHANGE WITHOUT NOTICE. WE CAN ASSUME NO RESPONSIBILITY FOR USE OF SUPERSEDED OR VOID DATA.



MICHIGAN CITY, INDIANA

NOTES