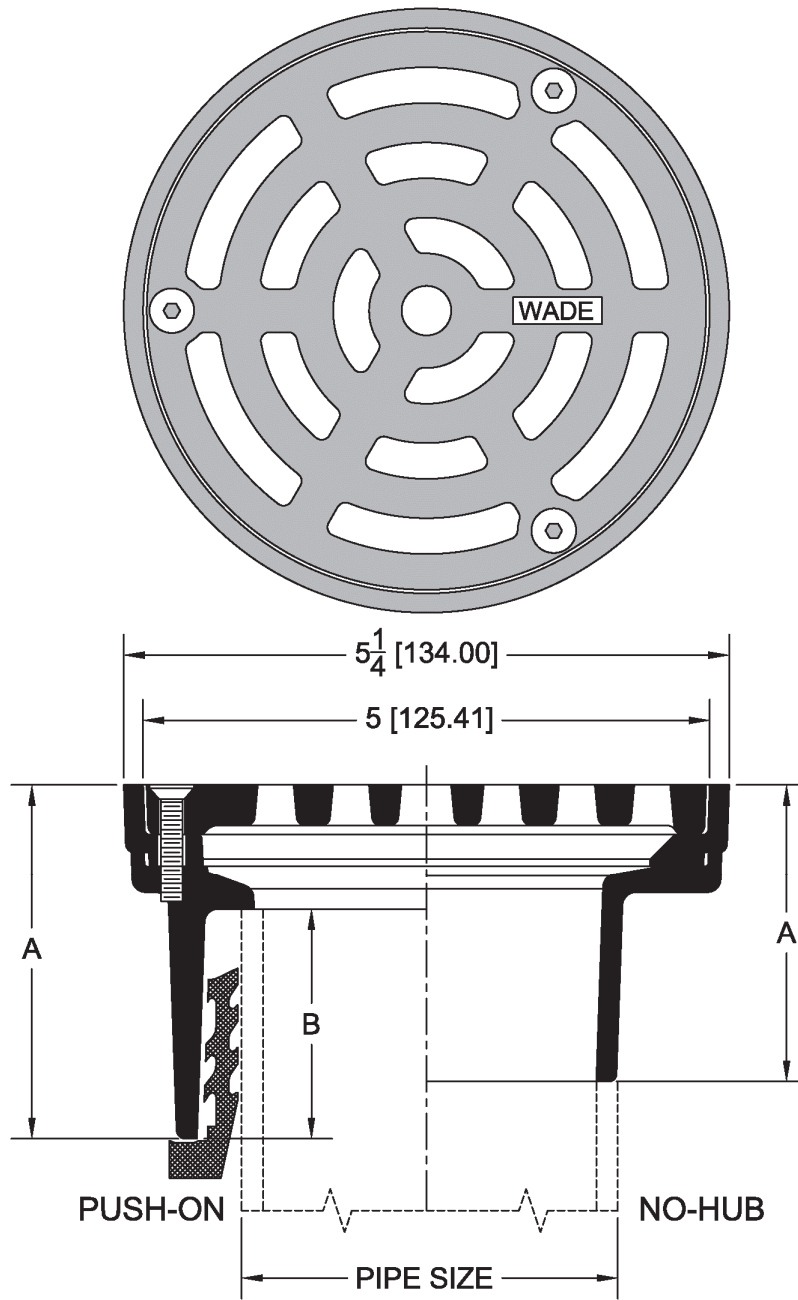


810 General Purpose Floor & Area Drain



Project	
Engineer	
Mechanical	

**Dimensions vary from illustration*

810	-1 Cast Iron Body with Satin Finish Nickel Bronze Top	-12 Cast Iron Body with Ductile Iron Top	Grate Free Area (Sq. In.)
•			6.04

Dimensions (in/mm)			
Outlet Type	A (D.I. Top)	A (N.B. Top)	B
No-Hub	2-9/16	2-5/16	N/A
Push-On	3-1/16	2-13/16	2 (51)

Regularly Furnished: Cast Iron floor drain body with round, slotted grate.

Outlet Variations		
Type	Designation	•
No-Hub	2NH,3NH,4NH	
Push On Gasket	2TY,3TY,4TY	

Suffix Options		
Suffix	Description	•
-EF4	4" Round Funnel Assembly*	-1
		-12
-VP	Vandal Proof Top	