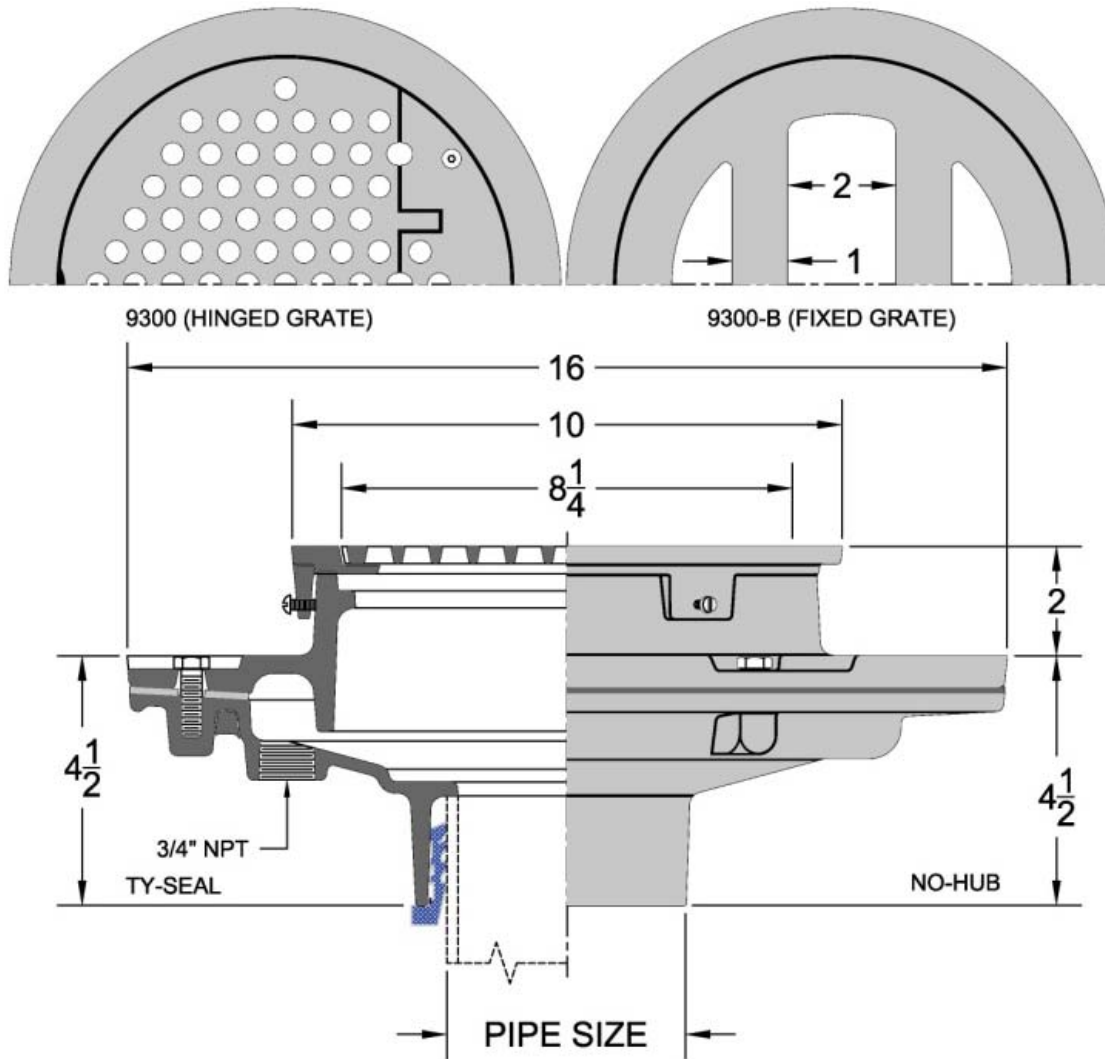


**9300 8" Round, A.R.C. Flushing Rim Floor Sink**

Project	Engineer	Mechanical
---------	----------	------------



9300	-1	-2	Grate Free Area (Sq. In.)
•	A.R.C. Cast Iron Body With Satin Finish Nickel Bronze Frame & Grate	A.R.C. Cast Iron Body With Satin Finish Bronze Frame & Grate	12.4

Suffix Options		
Suffix	Description	•
-B	Wide Slot Fixed Grate	
-E	Elastomeric Flange *	
-WCB	Water Control Box*	
-VP	Vandal Proof Top Assembly	
-18	Solid Top	
-36	Non-Conductive Top & Hardware	
-93	A.R.C. Trap w/ Flushing Connection	
-137	Loose Set Grate	

**Regularly Furnished:** A.R.C. cast iron flushing rim floor sink with integral flange, clamping collar, flushing connection, & hinged, perforated grate.

Outlet Variations		
Type	Designation	•
Inside Caulk	3IC,4IC,6IC	
No-Hub	2NH,3NH,4NH,6NH	
Push On Gasket	2TY,3TY,4TY	

\*Dimensions vary from illustration