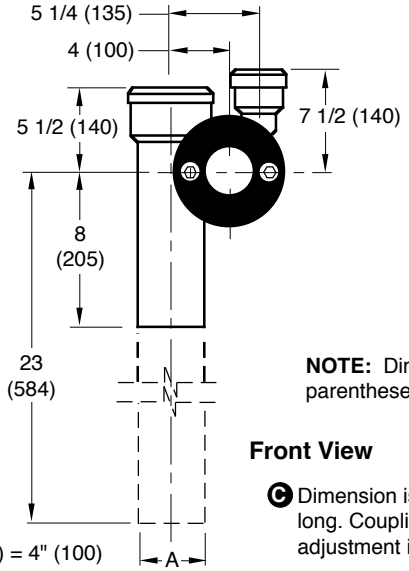


E
 DRAWING NUMBER S0675
 SIZE A
 SCALE: NONE
 DATE: 3-13-68
 APPROVED BY: RP
 CHECKED BY: RP
 DRAWN BY: RD
0675 and 0688 SERIES
 FIGURE NUMBER

WE CAN ASSUME NO RESPONSIBILITY FOR USE OF SUPERSEDED OR VOID DATA

VERTICAL OFFSET WASTE FITTING

FOR USE WITH FLOOR MOUNTED BACK OUTLET CLOSET



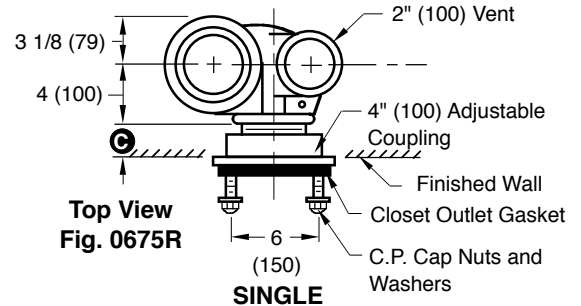
NOTE: Dimensions shown in parentheses are in millimeters.

Front View

Ⓢ Dimension is regularly finished 4" (100) long. Coupling provides 3/4" (19) adjustment in either direction.

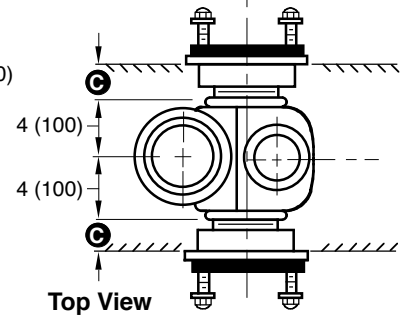
A (Pipe Size) = 4" (100)

- Fig. 0675L . . . LEFT HAND
- Fig. 0675R . . . RIGHT HAND (SHOWN)
- Fig. 0675D . . . DOUBLE
- Fig. 0688L . . . LEFT HAND LONG BARREL
- Fig. 0688R . . . RIGHT HAND LONG BARREL
- Fig. 0688D . . . DOUBLE LONG BARREL



Top View Fig. 0675R

SINGLE

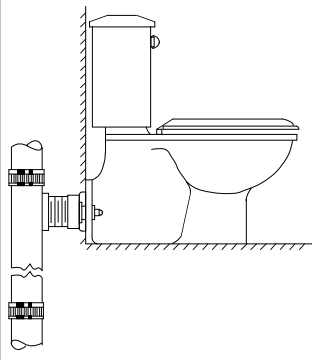


Top View Fig. 0675D

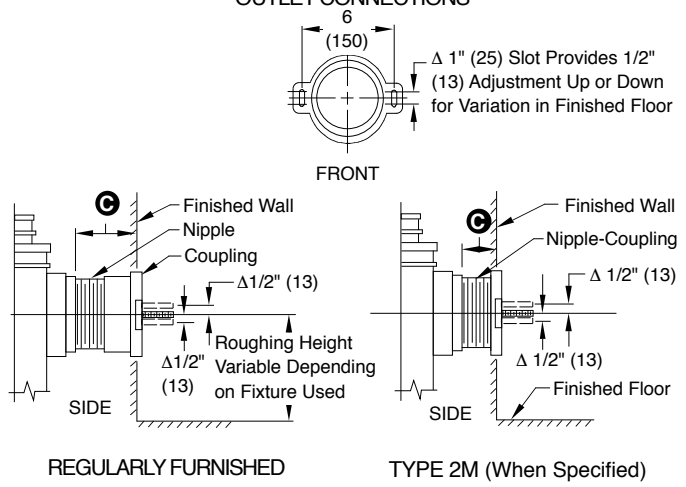
DOUBLE

The water closet gasket regularly furnished is designed to fit water closet outlet dimensions and configurations shown in ANSI Standard A112.19.2. If gasket is not found to be compatible to fixture due to nonconformance of said fixture to ANSI A112.19.2, then fixture manufacturer shall be consulted for a suitable gasket recommendation. Jay R. Smith assumes no liability for connections to fixtures which do not conform to these standards.

TYPICAL APPLICATION



OUTLET CONNECTIONS



NIPPLE LENGTHS AVAILABLE

NIPPLE LENGTH	MIN	Ⓢ MAX
2 1/2 (64)	2 3/4 (70)	3 3/4 (95)
*3 1/4 (83)	3 (76)	4 1/2 (115)
4 1/2 (115)	4 1/4 (110)	5 3/4 (145)
5 1/4 (135)	5 (125)	6 1/2 (165)
6 1/4 (160)	6 (150)	7 1/2 (190)
7 (180)	6 3/4 (170)	8 1/4 (210)
8 1/4 (210)	8 (205)	9 1/2 (240)
10 (255)	9 3/4 (250)	11 1/4 (285)
12 (305)	11 3/4 (300)	13 1/4 (335)
15 (380)	14 3/4 (375)	16 1/4 (415)
18 (455)	17 3/4 (450)	19 1/4 (490)

* Regularly Furnished

REV.	DATE	DESCRIPTION	BY	CKD. BY	WEIGHT POUNDS	VOLUME CUBIC FEET	FIGURE NUMBER
E	3-13-19	Added Notes	TBW	CL			0675 and 0688 SERIES
D	3-18-14	Revised Dimensions	TBW	CL			
C	5-14-13	Revised Text	TBW	CL			
B	4-12-96	Added Millimeters	EMB	BS			