

E



JAY R. SMITH MFG. CO.®
 MEMBER OF MORRIS GROUP INTERNATIONAL
 POST OFFICE BOX 3237
 MONTGOMERY, ALABAMA 36109-0237 (USA)
 TEL: 334-277-8520 FAX: 334-272-7396 www.jrsmith.com



MEMBER OF:

LOCATION

FIXED AIR GAPS

FUNCTION: When installed between the fixture waste outlet and the plumbing drainage system, SMITH Fixed Air Gaps provide protection of fixtures such as food processing equipment, kitchen fixtures, storage tanks, etc., from contamination due to back flow in the drain line. (Air Gap fittings in plumbing waste lines are installed on the house side of the fixture trap.) SMITH Fixed Air Gaps when installed in the water supply to a fixture or appliance, such as evaporative coolers, sterilizers, etc., will prevent contamination from cross connection between the potable water supply and the fixture that handles a contaminating liquid or one that is connected to a plumbing waste line. Local codes should be checked.

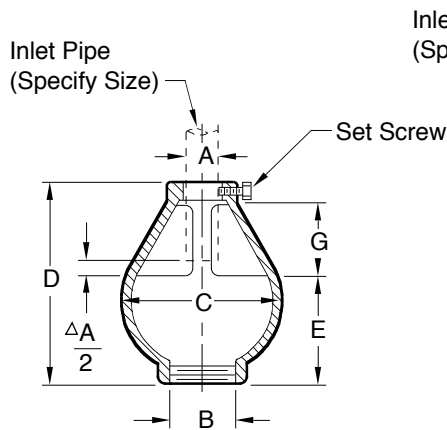


Fig. 3950T
 THREADED OUTLET ONLY
 (Specify A + B)

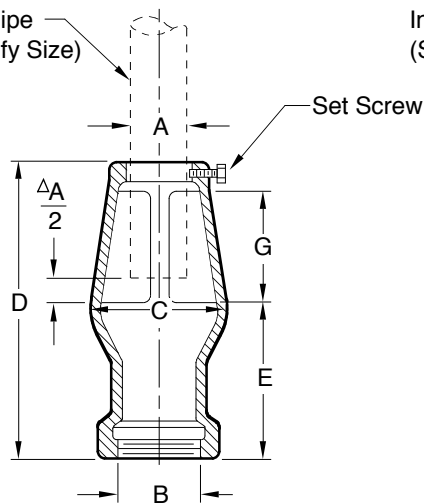


Fig. 3951T
 THREADED OUTLET ONLY
 (Specify A + B)

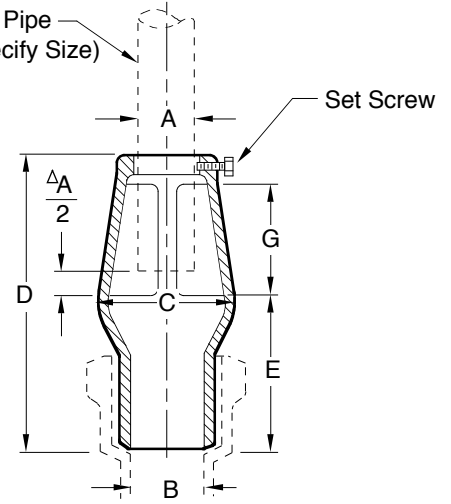


Fig. 3955
 NO-HUB OUTLET (Y)
 SPIGOT OUTLET (S)
 (Specify A + B)

A	B	C	D	E	G
0250(10)	075(19)	3(76)	3(76)	1 3/4(44)	1(25)
050(15)	075(19)	4 1/4(110)	5 1/2(140)	3(76)	2(51)
050(15)	01(25)	4 1/4(110)	5 1/2(140)	3(76)	2(51)
075(20)	0150(38)	4 1/4(110)	5 1/2(140)	3(76)	2(51)
01(25)	0150(38)	4 1/4(110)	5 1/2(140)	3(76)	2(51)

A	B	C	D	E	G
01(25)	02(51)	3 1/2(89)	8(205)	4 1/4(110)	3(76)
0125(35)	02(51)	3 1/2(89)	8(205)	4 1/4(110)	3(76)
0150(38)	02(51)	3 1/2(89)	8(205)	4 1/4(110)	3(76)
02(50)	03(75)	4 1/2(115)	11 1/2(290)	6 1/2(165)	4(100)
03(80)	04(100)	6 1/2(165)	15 1/2(395)	8(205)	6(150)
04(100)	06(150)	8 1/2(215)	20(510)	10(255)	8(205)

NO-HUB Outlet (Y) available in 02"(50) and 03"(75) only.

$\frac{\Delta A}{2}$ = 1/2(13) Dia. of Inlet Pipe MIN - The lowest point of the indirect waste pipe to the flood level rim of the receptor shall be a minimum of one inch (1").

REGULARLY FURNISHED:
 Duco Cast Iron

NOTE: Dimensions shown in parentheses are in millimeters.

OPTIONAL MATERIALS:

- Cast Bronze -CB
- Chrome Plated Bronze -CP
- Chrome Plated Cast Iron -CPCI

DRAWING NUMBER
S3950SIZE
ASCALE:
NONEDATE:
9-19-85APPROVED BY:
SJMCHECKED BY:
JDDRAWN BY:
PJFIGURE NUMBER
3950,3951,3955

WE CAN ASSUME NO RESPONSIBILITY FOR USE OF SUPERSEDED OR VOID DATA

DIMENSIONS ARE SUBJECT TO MANUFACTURERS TOLERANCE AND CHANGE WITHOUT NOTICE

REV.	DATE	DESCRIPTION	BY	CKD. BY	WEIGHT POUNDS	VOLUME CUBIC FEET	FIGURE NUMBER
E	9-11-18	Revised Note, Added Note	TBW	TWK			3950,3951,3955
D	6-23-14	Rev. Callouts, Added Note	TBW	SJM			
C	3-24-14	Revised Table	TBW	CL			
B	8-27-96	Added Millimeters	EMB	BS			



WARNING: Cancer and Reproductive Harm - www.P65Warnings.ca.gov