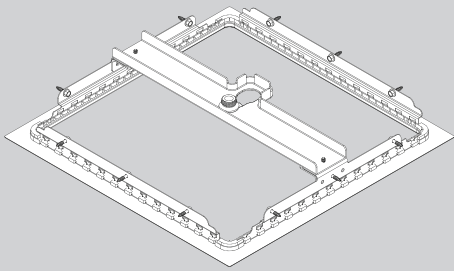


## INSTRUCTIONS FOR MODELS

VS-127



### NEED HELP?

For additional assistance or service please contact:

**SPEAKMAN®**

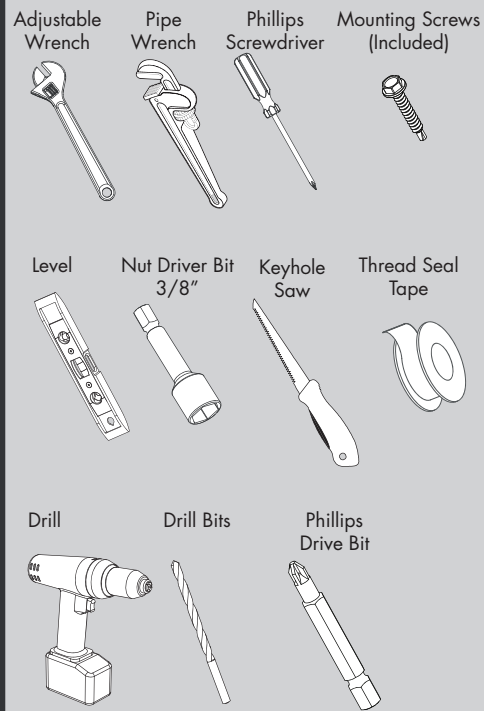
800-537-2107

customerservice@speakman.com

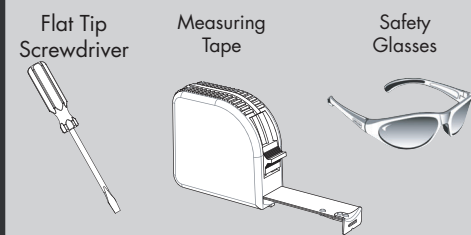
www.speakman.com

92-VS-127-01

## TOOLS AND SUPPLIES



### HELPFUL TOOLS & SUPPLIES:



## IMPORTANT

- Do not over-tighten any connections or damage may occur.
  - Be sure to read instructions thoroughly before beginning installation.
- NOTE:** Rain Shower Head as shown here in the Installation Steps and the Construction Lumber is for reference only and is not included with the product.

**NOTE:** The VS-127 Ceiling Mount Flange is only intended to be used with the Speakman Rain Shower Head S-2764.

### SAFETY TIPS

Cover your drain to prevent loss of parts. Be sure to wear eye protection while cutting pipe.

### WARRANTY

Warranty information can be found at: [www.speakman.com](http://www.speakman.com)

## IMPORTANT

### MAINTENANCE

Periodic cleaning using a mild soap and warm water will help keep your Shower Head's appearance in its original condition.

For best results, dry immediately with a soft, clean cloth. **DO NOT USE** harsh and/or abrasive cleaners.

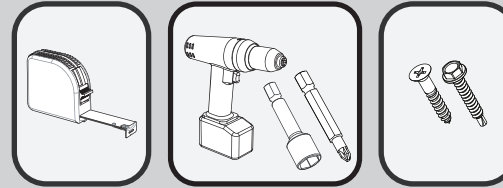
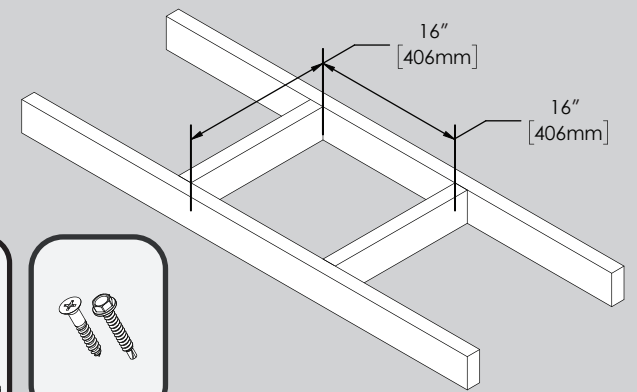
In certain water conditions, mineral deposits may form. To remove these deposits, it is recommended that you soak the shower head in a solution of 2 parts vinegar to 1 part water for one hour. Rinse thoroughly with fresh water.

- Periodically check to ensure the seal is fully engaged with the shower to prevent moisture leakage.
- Periodically check on mold/calcium build up on contact areas of the seal.

## 1 SUPPORT FRAMING

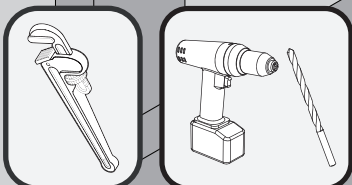
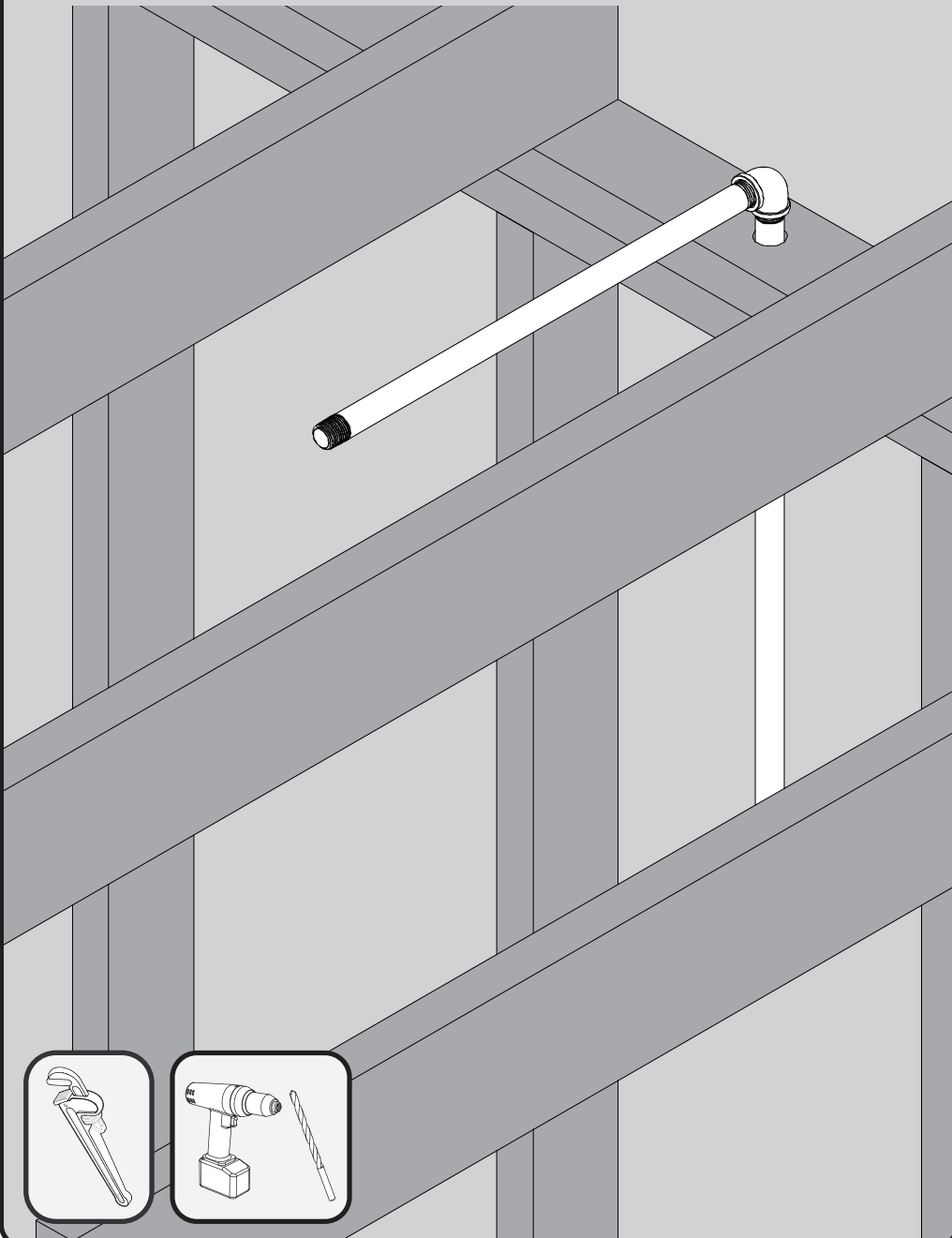
**NOTE:**  
Length of the longer beams should be adapted to fit your application

- Use 2" x 4" to construct the support framing to mount the Rain Shower Head Flange.
- The Rain Shower Head Flange needs to be inserted into a 16" x 16" square. The face of each Cross Beam should be installed in standard fashion, perpendicular to the face of the ceiling joists. This frame will become part of the Drop Ceiling.



## 2 OVERHEAD WATER SUPPLY CONNECTIONS

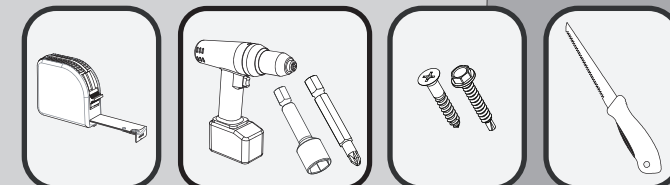
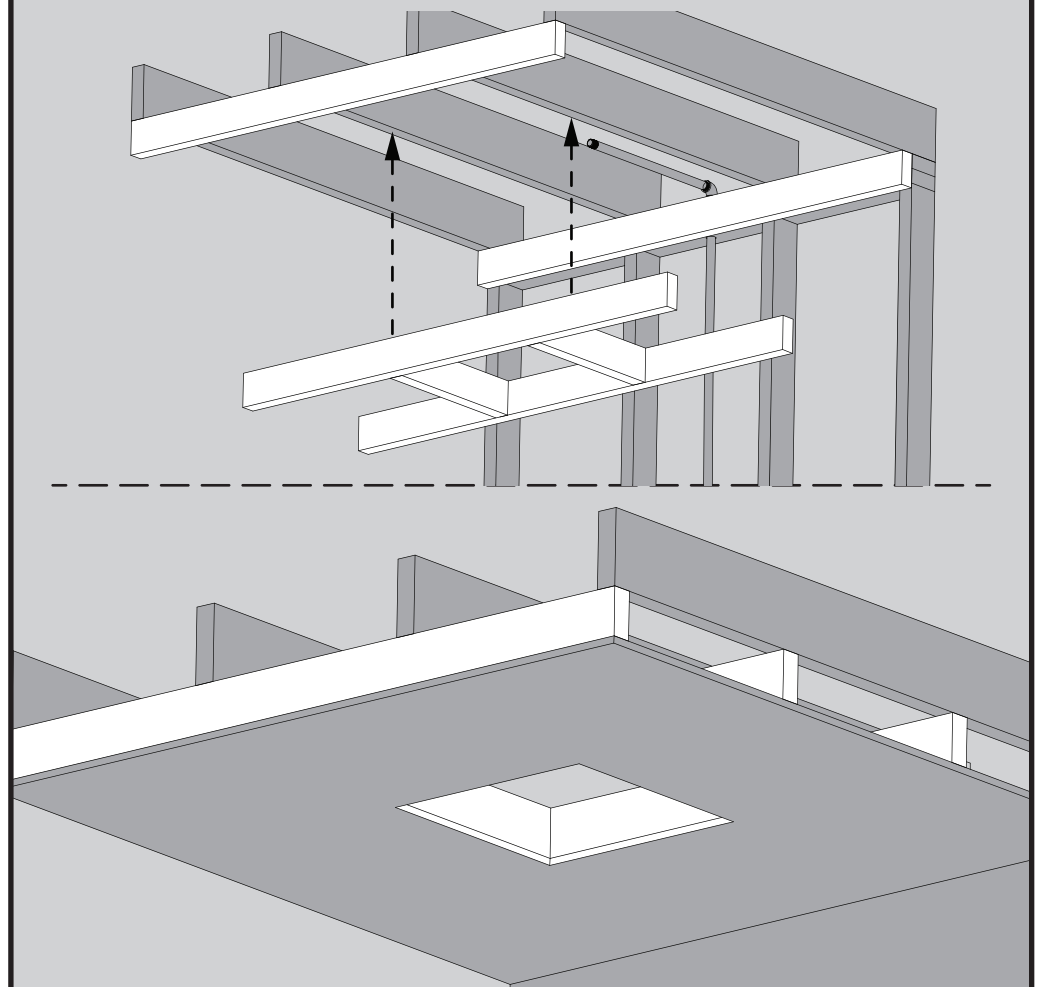
- Route a Water Supply (not supplied) to the ceiling where the shower is to be installed.
- Use Pipe Flanges to secure the Pipe as necessary.



## 3 DROP CEILING CONSTRUCTION

**NOTE:**  
See Rough-In for required dimensions of the Ceiling.

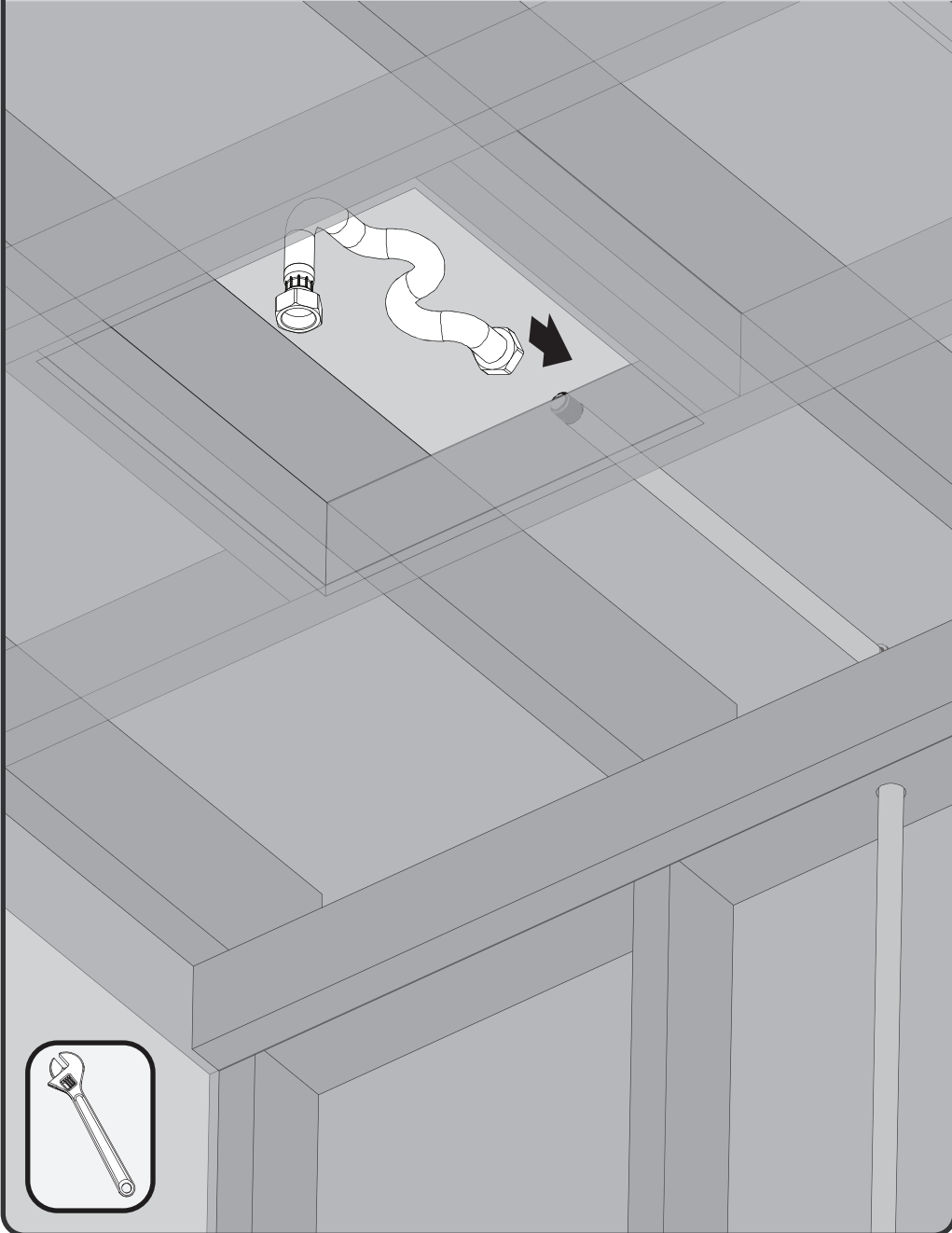
- Install a Drop Ceiling using 2" x 4" construction. The support frame constructed in **STEP 1** should be part of this Drop Ceiling.
- Locate the 16" x 16" square where the Rain Shower Head is intended to be used.
- Cut out the 16" x 16" square in the Drop Ceiling drywall.



**IMPORTANT:**  
Complete wall construction and finish surfaces before continuing installation.

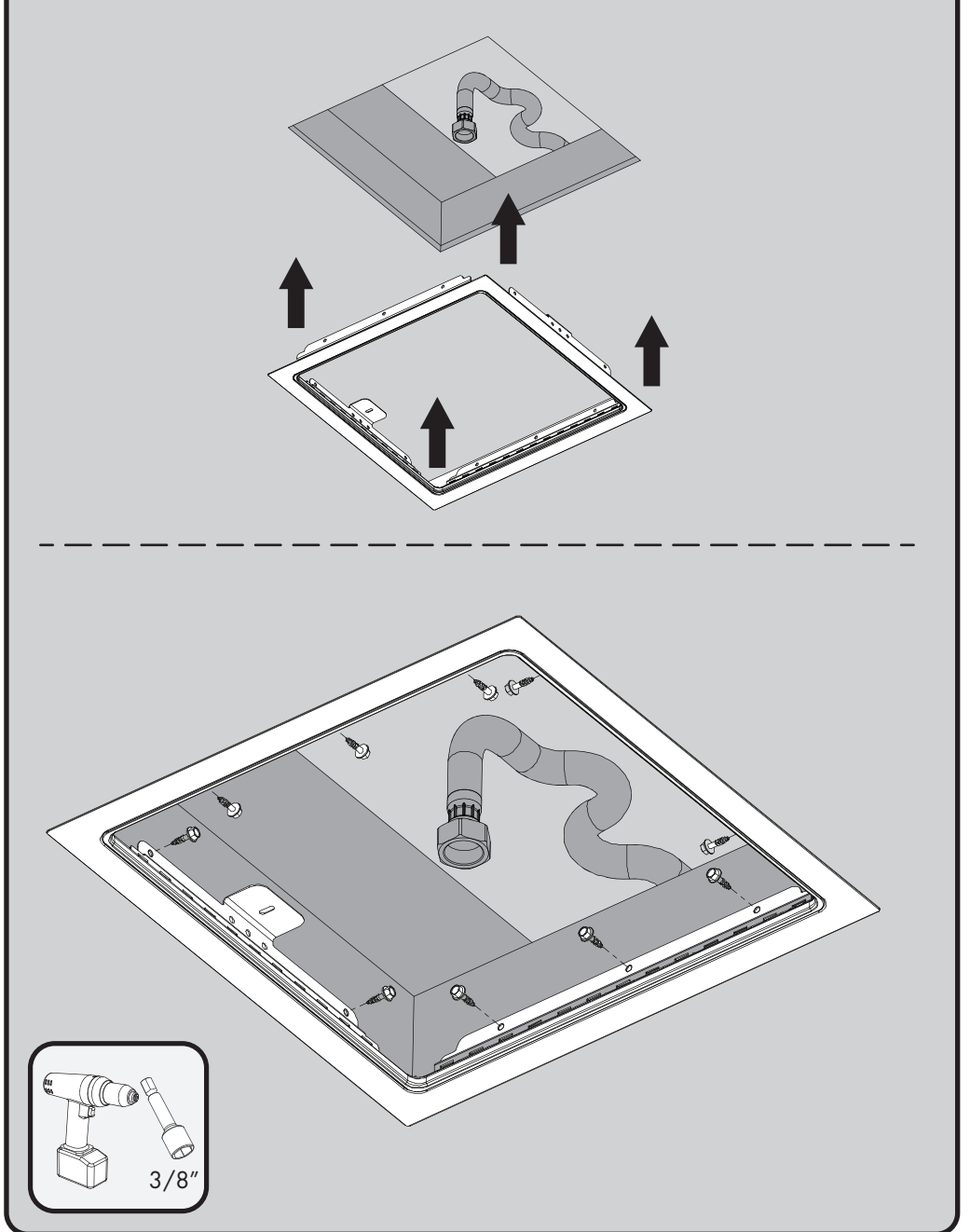
#### 4 SHOWER HEAD SUPPLY CONNECTION

- Reach into the Square Frame and connect a piece of Flexible Hose (not supplied) to the Supply Pipe previously routed in **STEP 2**.



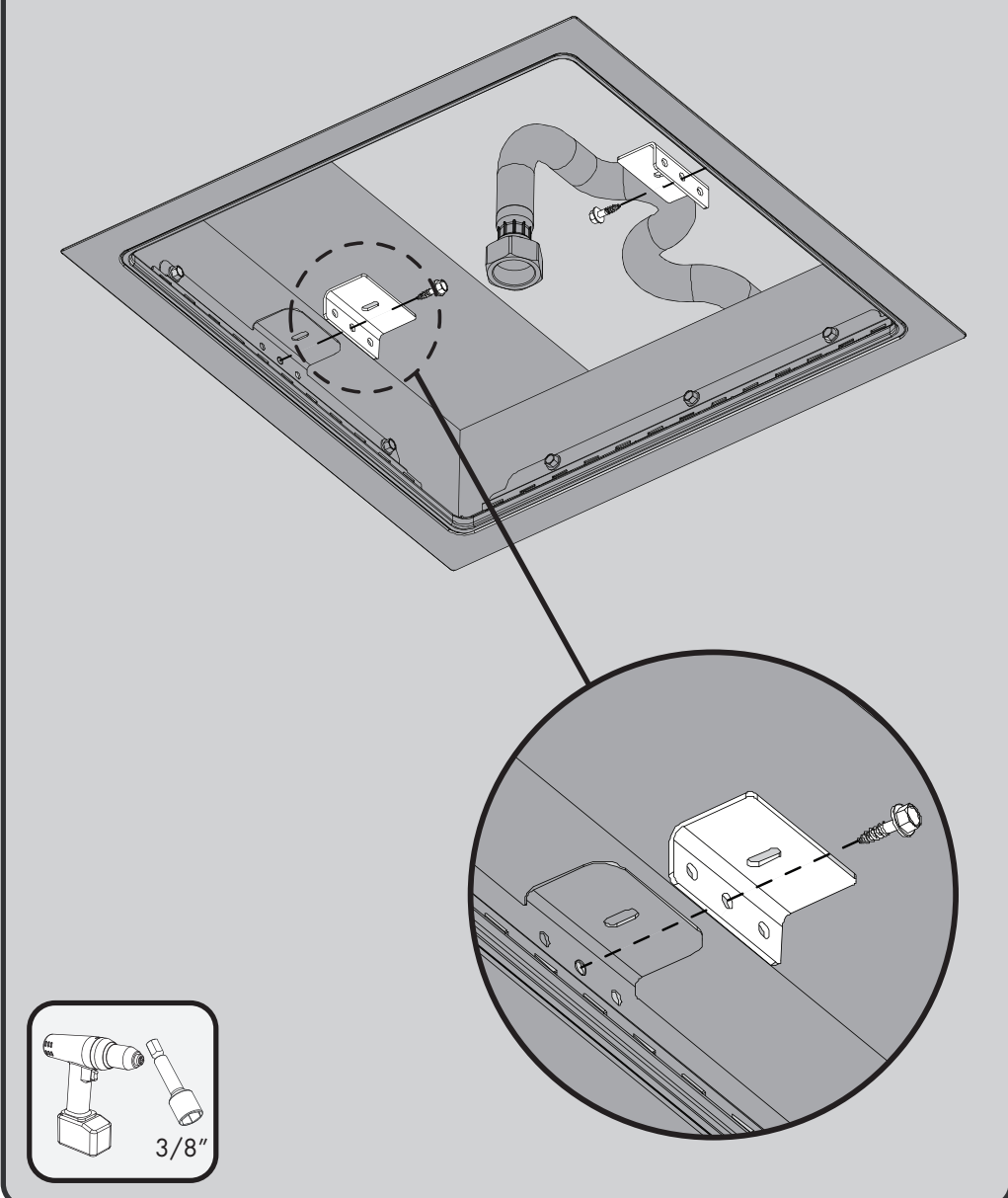
#### 5 SHOWER HEAD FLANGE INSTALLATION

- Install the Rain Shower Flange by pushing it up into the previously constructed Square Frame.
- Secure with provided 1/4"-14 Self-Tapping Screws.



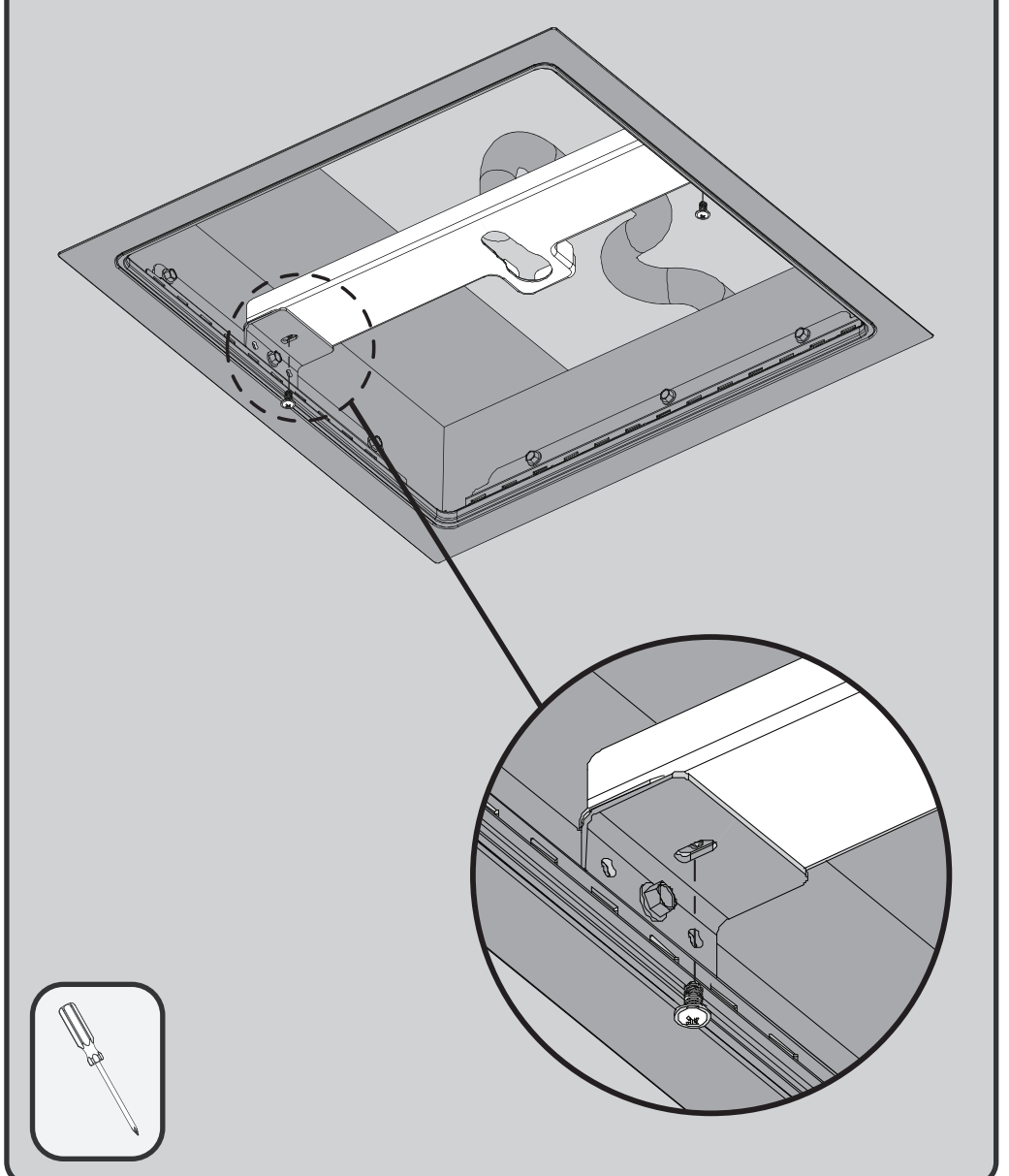
#### 6 BRACKET INSTALLATION

- Install the Brackets to the Flange using the provided 1/4"-14 Self-Tapping Screws.



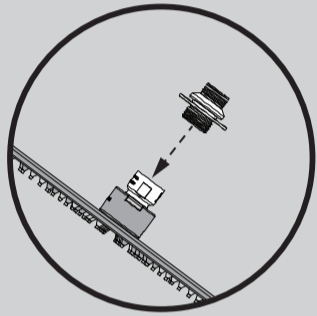
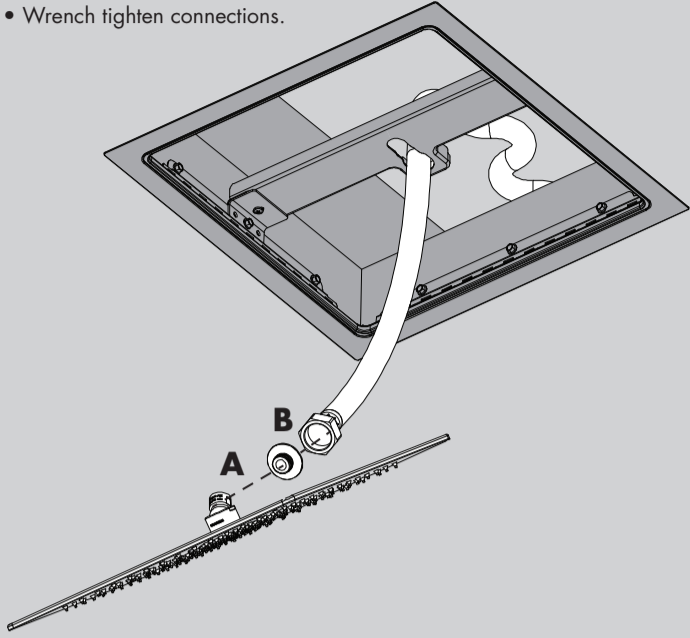
#### 7 CROSS-BRACE INSTALLATION

- Install the Cross-Brace to the Brackets using provided Philips-head screws.

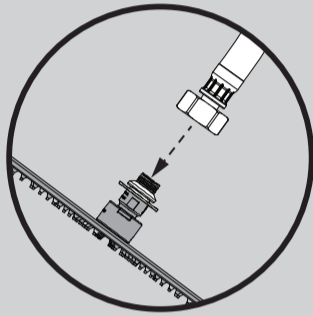


## 8 PIPE ADAPTER INSTALLATION

- Apply Teflon tape to both sides of Pipe Adapter then thread into Rain Shower Ball.
- Pull the Flexible Hose through the cut-out in the Cross-Brace and thread to the other end of the Pipe Adapter.
- Wrench tighten connections.



**"A"**  
PIPE ADAPTER TO  
RAIN SHOWER HEAD

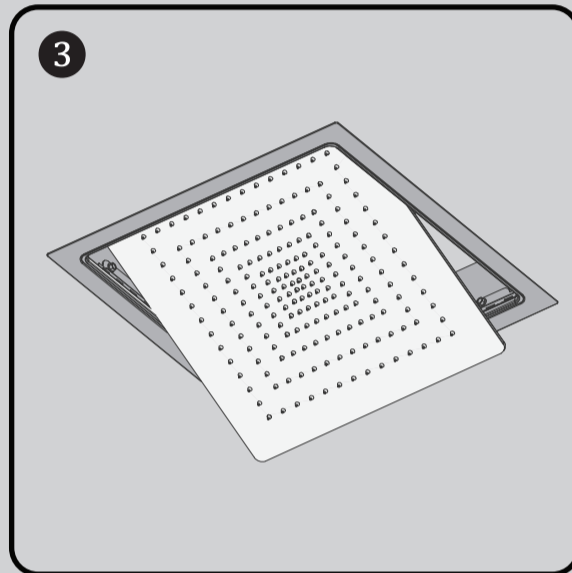
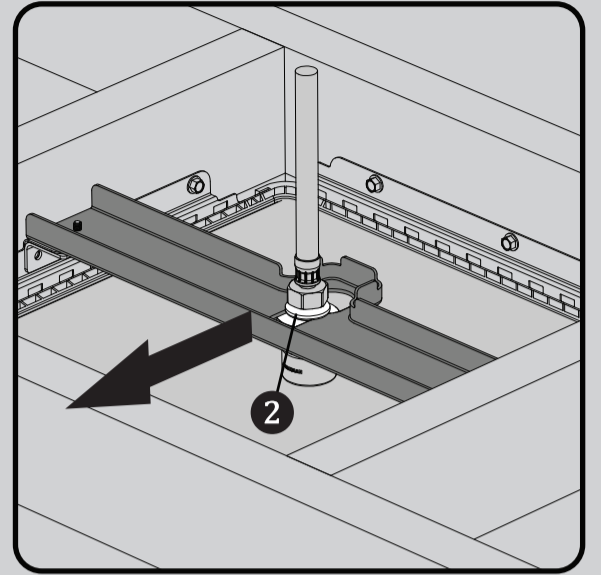
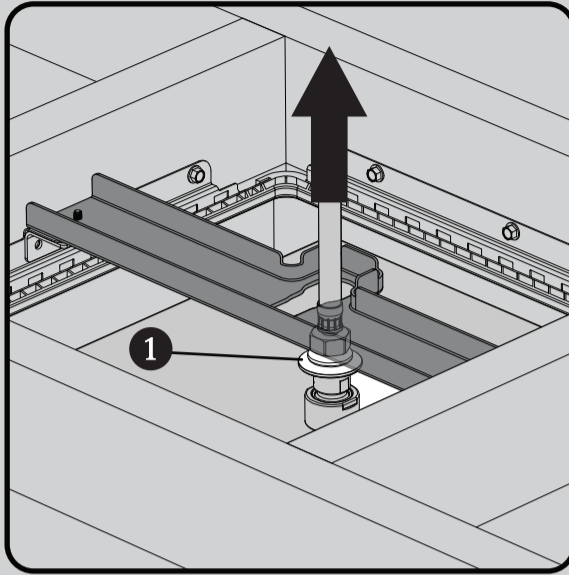


**"B"**  
SUPPLY HOSE TO  
PIPE ADAPTER



## 9 RAIN SHOWER HEAD INSTALLATION

- 1 Lift the Rain Shower Assembly into the ceiling frame, aligning the Pipe Adapter through the cut out in the Cross Brace.
  - 2 Slide the Rain Shower Assembly with Pipe Adapter into the slot to lock the assembly in place.
  - 3 Tilt the Rain Shower Head into place, ensuring that the rubber seal around the flange is flush and properly seals against the Shower Head.
- Turn on water supplies and check for leaks.

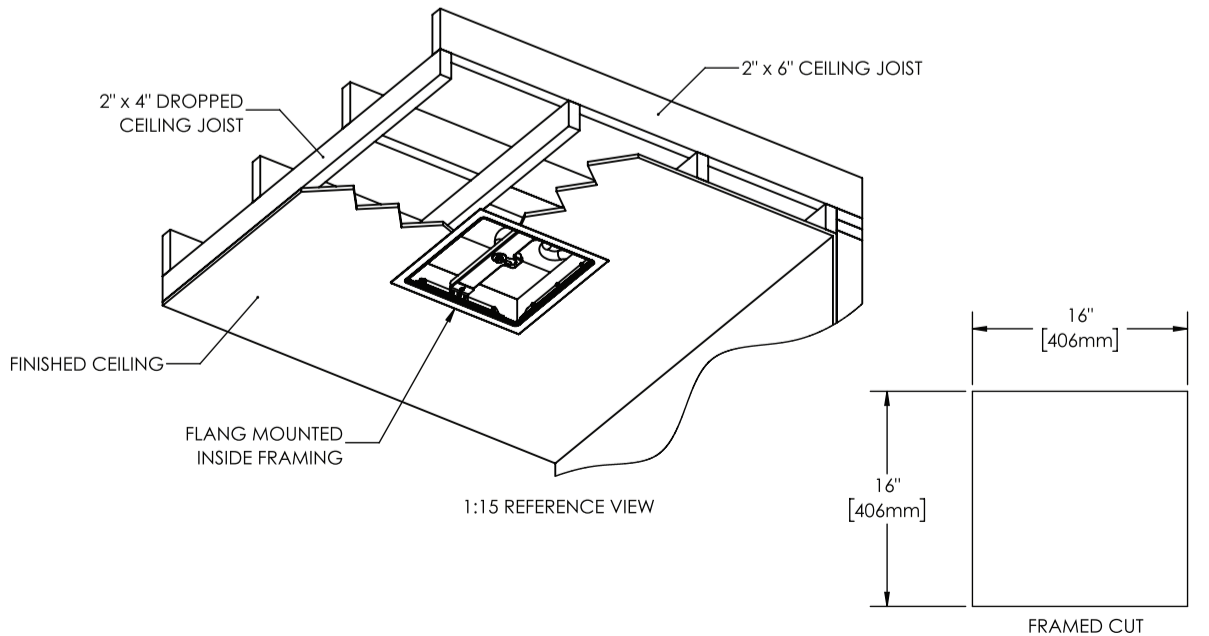
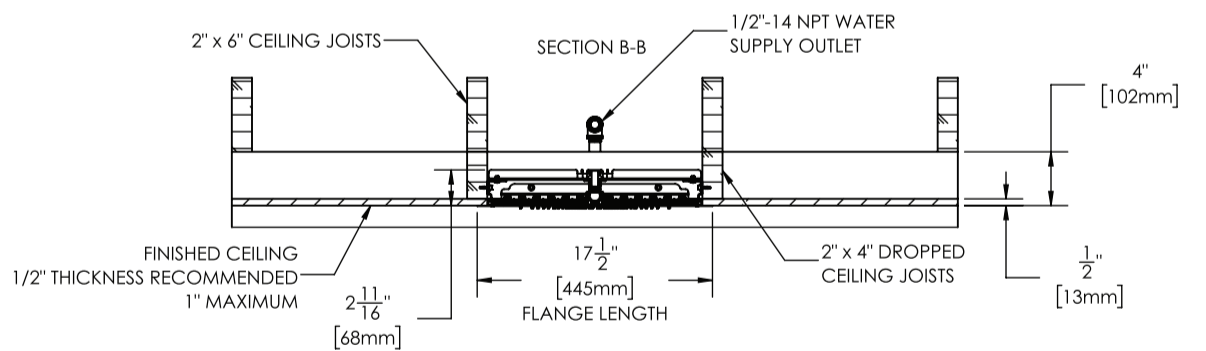
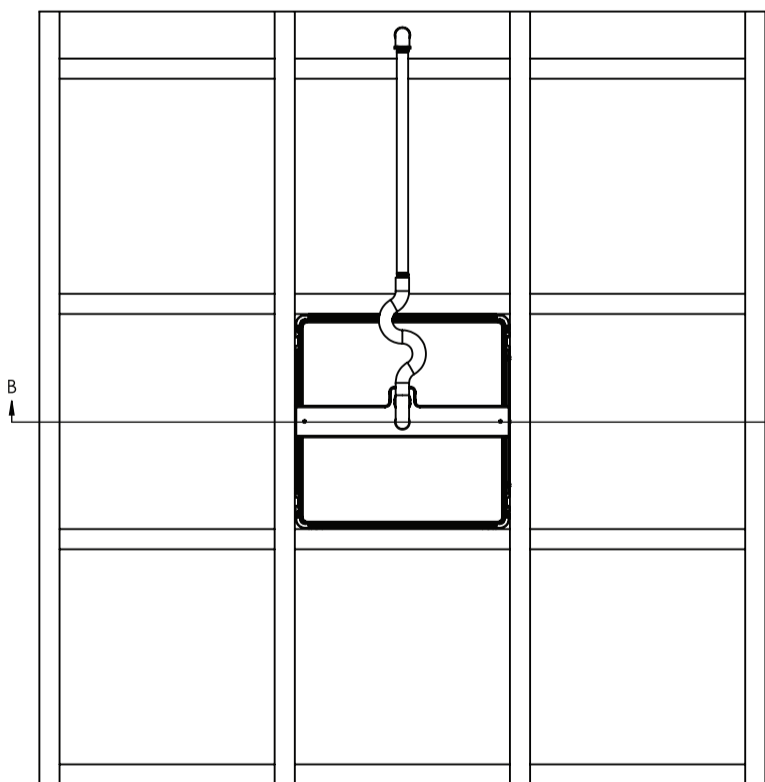


## VS-127 ROUGH-IN DIAGRAM

**SPEAKMAN®**

### NOTES:

Contractor to supply all necessary framing and plumbing connections.



DIMENSIONS SUBJECT TO CHANGE WITHOUT NOTICE.