

**A151-VR / A441-VR Series  
Wall Mounted Drinking Fountain  
with Vandal Resistant Button**



A151400S-VR / A441400S-VR

**TECHNICAL ASSISTANCE TOLL FREE TELEPHONE NUMBER:  
1.800.591.9360**

Technical Assistance Fax: 1.626.855.4894

**NOTES TO INSTALLER:**

1. Please leave this documentation with the owner of the fixture when finished.
2. Please read this entire booklet before beginning the installation.
3. Check your installation for compliance with plumbing, electrical and other applicable codes.

**LIMITED WARRANTY - UNITED STATES & CANADA**

Murdock warrants that its products are free from defects in material or workmanship under normal use and service for a period of one year from date of install or for 18 months after the date of shipment from the factory, whichever comes first. Murdock's liability under this warranty shall be discharged solely by replacement or repair of defective material, provided Murdock is notified in writing within one year from date of shipment, F.O.B. Industry, California.

This warranty does not cover installation or labor charges and does not apply to materials, which have been damaged by other causes such as mishandling or improper care or abnormal use. The repair or replacement of the defective materials shall constitute the sole remedy of the Buyer and the sole remedy of Murdock under this warranty. Murdock shall not be liable under any circumstances for incidental, consequential or direct charges caused by defects in the materials, or any delay in the repair or replacement thereof. This warranty is in lieu of all other warranties expressed or implied. Product maintenance instructions are issued with each unit and disregard or non-compliance with these instructions will constitute an abnormal use condition and void the warranty. Stainless steel must be protected on job site during construction and must be properly maintained after the water has been introduced into the water cooler or drinking fountain, or Murdock's limited warranty is void.

**LIMITED EXPORT WARRANTY - One year on parts only.**

Murdock assumes no responsibility for use of void or suspended data. © Copyright Murdock, City of Industry, CA Member of Morris Group International. Please visit [www.murdockmfg.com](http://www.murdockmfg.com) for most current specifications.

COMPLIES WITH  
**STANDARDS**



NSF/ANSI 61



Federal  
Public Law  
111-380  
(No Lead)

**murdock**<sup>®</sup>  
SINCE 1853

Member of



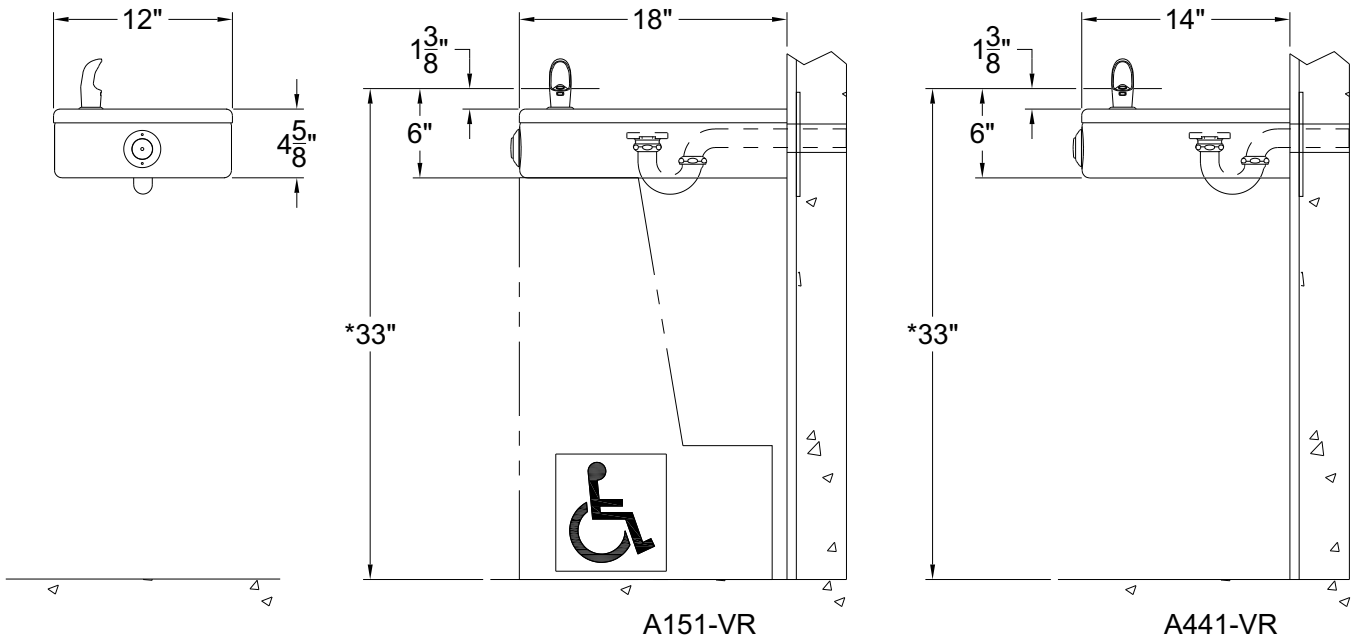
15125 Proctor Ave, City of Industry,  
CA, 91746 U.S.A.  
Phone 800-591-9360  
626-336-4561  
Fax 626-855-4894

[www.murdockmfg.com](http://www.murdockmfg.com)

**ROUGHING-IN AND DIMENSIONAL DRAWING**

Prior to roughing in, consult with local, state, and federal codes for proper mounting height.

**A151400S-VR/A441400S-VR Wall Mounted Drinking Fountain**

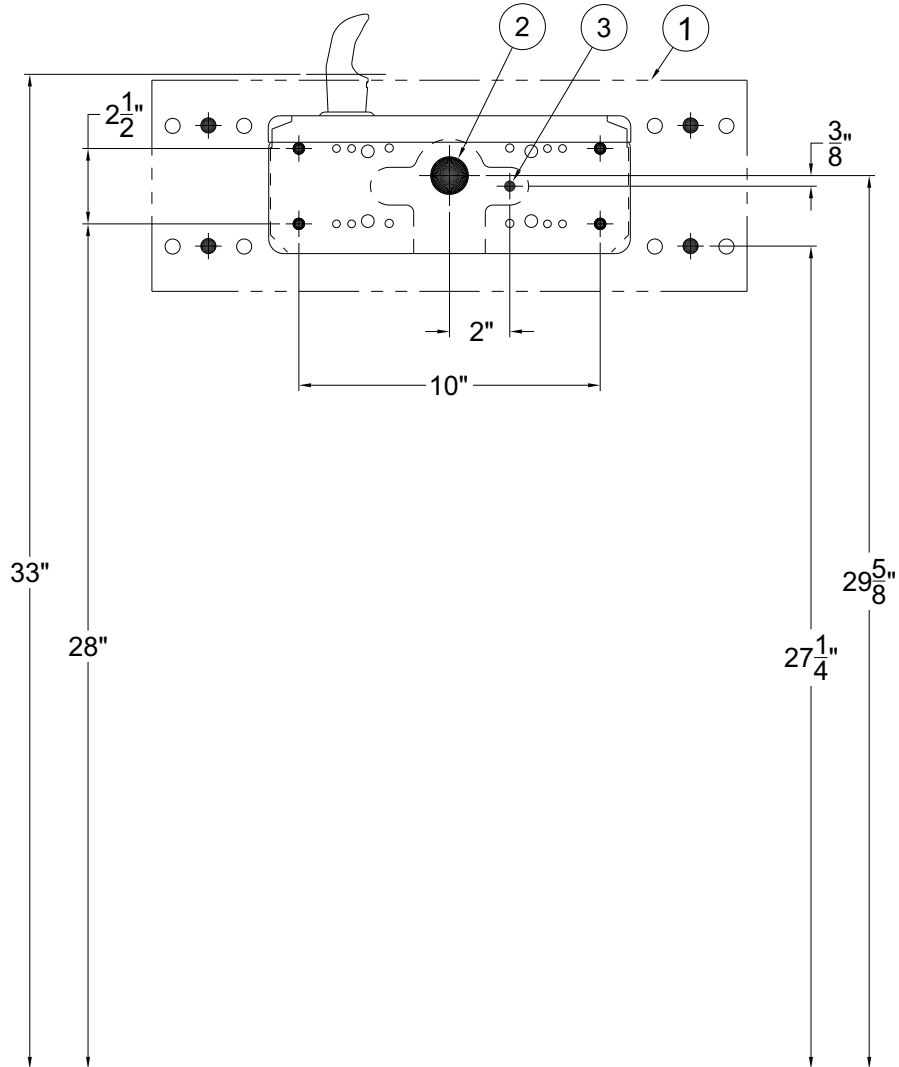


**GENERAL NOTES:**

1. ALL DIMENSION ARE IN INCHES [MM]
- \*2. DIMENSION SHOWN ARE FOR RECOMMENDED ADULT HEIGHT  
ADJUST VERTICAL DIMENSIONS AS NECESSARY TO COMPLY  
WITH FEDERAL, STATE, & LOCAL CODES

**NOTES:** Dimensions shown for Adult ADA compliant installation. For Child ADA compliant parallel approach installation, decrease height of installation by 3 inches. Provide clear floor space as required. Adjust vertical dimensions as required to comply with federal, state, and local codes.

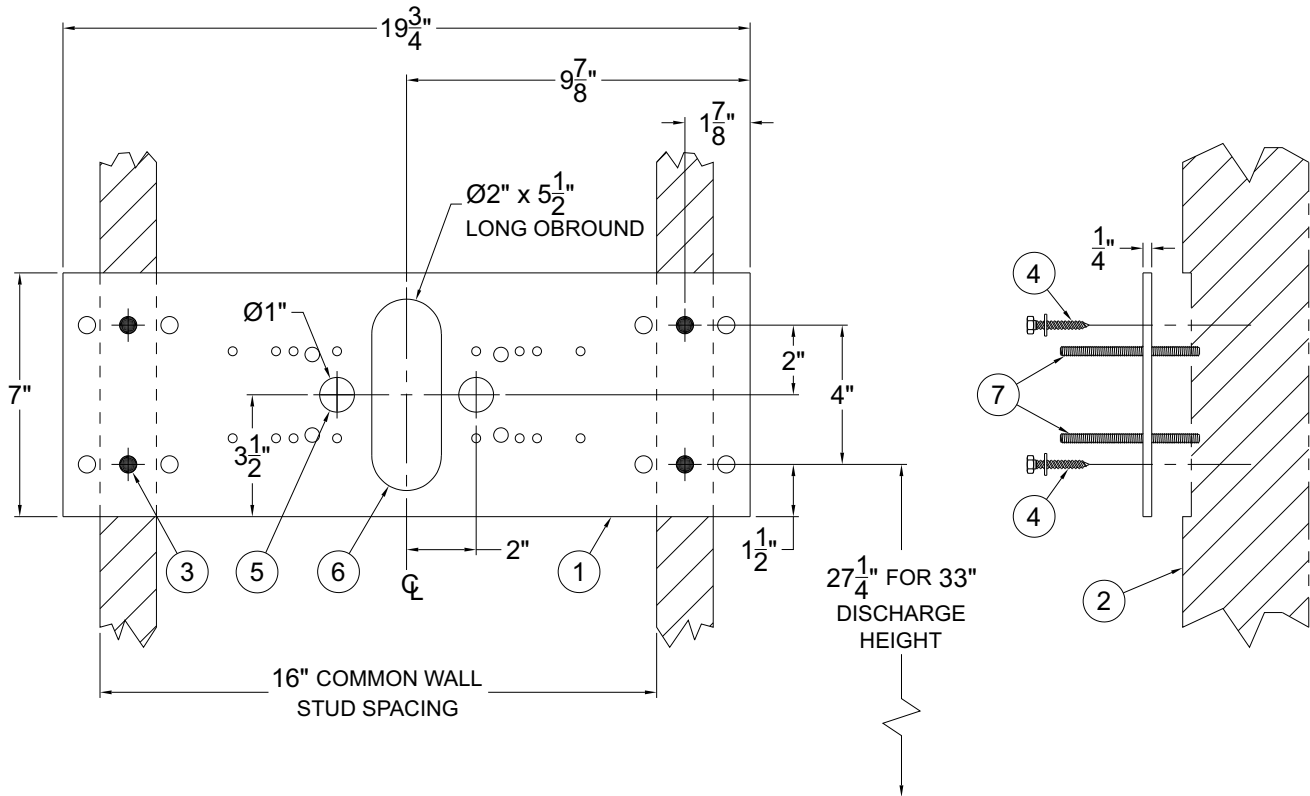
**A151400S-VR/A441400S-VR Wall Mounted Drinking Fountain Inlet & Outlet Rough-Ins**



- ① SUPPLIED WALL MOUNTING PLATE
- ② 1-1/4" OD WASTE OUTLET
- ③ 3/8" NCT SUPPLY INLET

**DIMENSIONAL DRAWING**

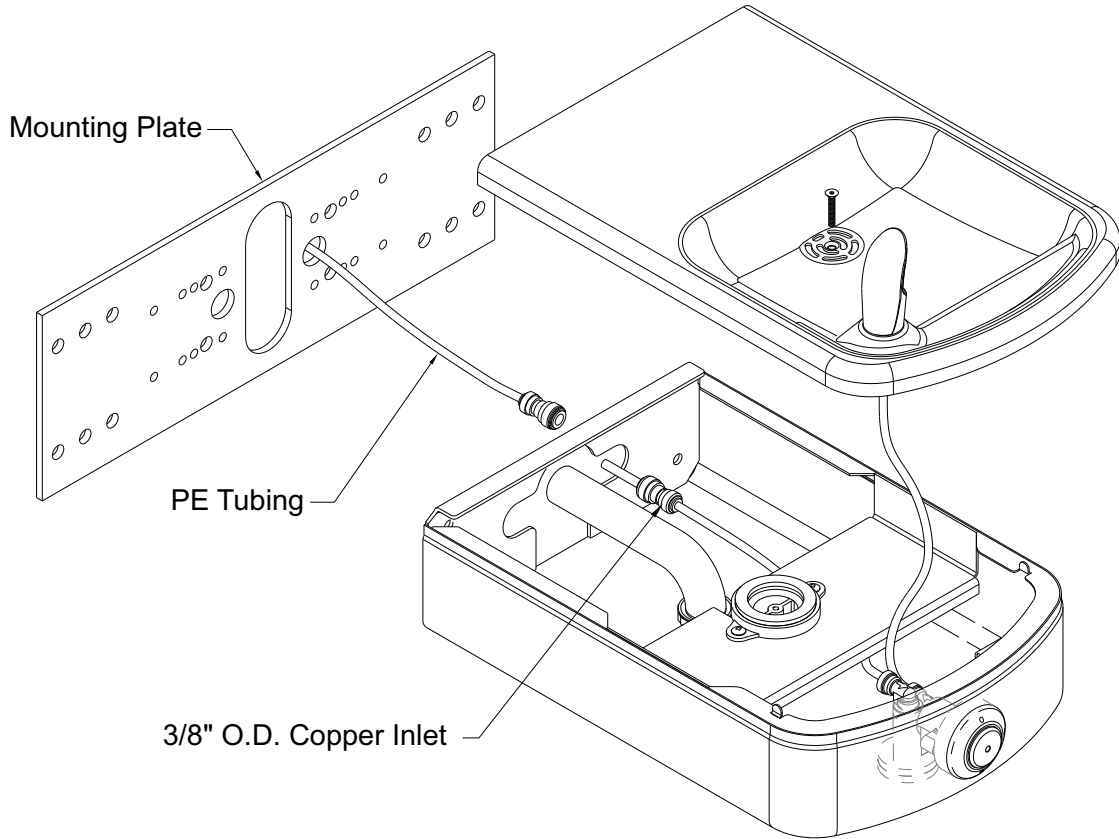
Prior to roughing in, consult with local, state, and federal codes for proper mounting height.



**INSTALLATION INSTRUCTIONS:**

- A- PLATE (1) INTENDED TO BE RECESSED FLUSH WITH SUPPORT FRAMING (2) PROVIDED BY INSTALLER. FRAME & BLOCK OUT SUPPORT USING DIMENSIONS SHOWN. FRAME SHOULD SUPPORT 300 LBS MINIMUM. (PLATE MAY BE MOUNTED ON FINISHED WALL, PROVIDED FRAME SUPPORTS 300 LBS MINIMUM.)
- B- MOUNTING PLATE (1) IS 1/4" THICK AND INCLUDES (18) 1/2" DIAMETER PUNCHING FOR ANCHORING HARDWARE BY OTHERS.
- C- STRIKE A LEVEL HORIZONTAL CHALK LINE TO LOCATE BOTTOM MOUNTING HOLES (3). REFERENCE DISCHARGE HEIGHT REQUIREMENTS FOR YOUR MODEL AND FACILITY TO DETERMINE CORRECT HEIGHT AT FINISHED FLOOR (AFF).
- D- AFTER POSITIONING PLATE CORRECTLY, FIX PLATE TO WALL USING APPROPRIATE, INSTALLER PROVIDED ANCHORING HARDWARE (4).
- E- MAKE UP APPROPRIATE SUPPLY (5) AND WASTE (6) ROUGHS THROUGH MOUNTING PLATE OPENINGS. A STRAIGHT SUPPLY STOP IS RECOMMENDED.
- F- LOCATE 5/16" THREADED STUDS MOUNTING HARDWARE AND THREAD STUDS (7) THRU PLATE SO THAT A MINIMUM OF 1-1/4" OF THREAD PROJECTS BEYOND THE FINISHED WALL.
- G- PROTECT THREADED STUDS (7), SUPPLY (5) AND WASTE (6) ROUGHS WHILE FINISHING WALL.

**WATER TUBING CONNECTIONS:**



**IMPORTANT:**

1. Water Supply Service Stop Valve and Water Connections to be supplied by others in accordance with local codes.
2. Waste is 1-1/4" Outer Diameter. Drinking Fountain water inlet is 3/8" Outer Diameter copper tube. Bottle Filler water inlet is 3/8" Outer Diameter copper tube. Water line by others.
3. Completely flush supply lines of all foreign debris before connecting to fixture. Optional Water Filter (WF1), is available should any problems with taste, odor, color, or sediment arise from the water supply.
4. All burrs must be removed from outside of cut tubes before inserting into strainer or other components.
5. *Per UPC 609.10-All building water supply systems in which quick acting valves are installed shall be provided with devices to absorb the hammer caused by high pressure resulting from the quick closing of the valve. These pressure-absorbing devices shall be approved mechanical devices. Water pressure-absorbing devices shall be installed as close as possible to the quick closing valve.*

**PRIOR TO INSTALLATION:**

1. Read all installation instructions carefully, before proceeding.
2. Carefully remove all fixture components from packaging, preventing scratching or damage. Inspect fixture and all parts from damages and all parts that are bolted on.
3. Provide mounting surface, adequate to support the fixture and loads on the fixture.
4. Provide rough-ins as shown on the roughing-in and dimensional drawing, including water supply, drain pipe and gravel drain well. (See rough-in details)
5. Completely flush water supply lines of all foreign debris, before connecting to the fixture.

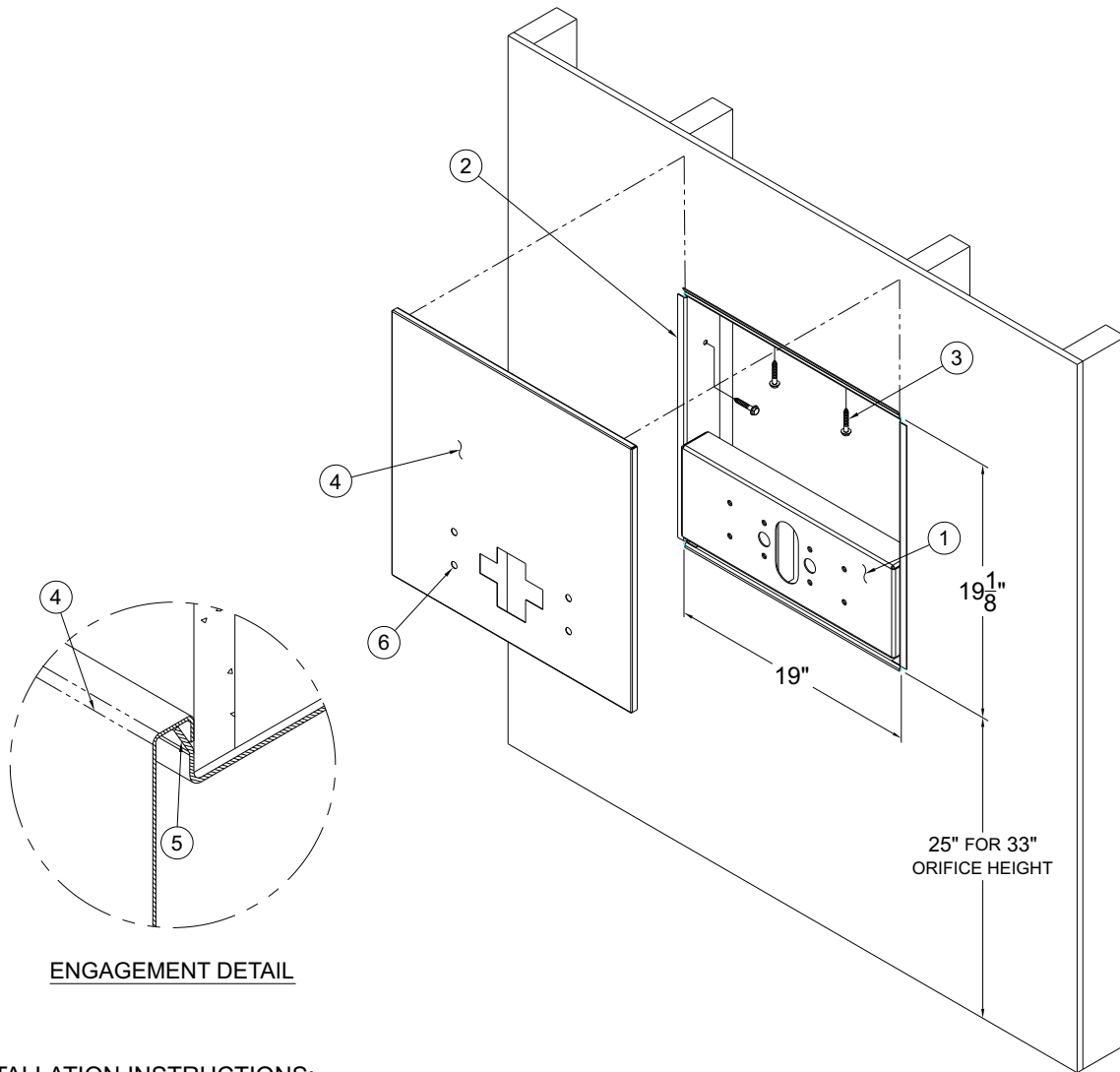
**DRINKING FOUNTAIN INSTALLATION:**

1. Insert mounting frame into the rough-in block out and secure using 1/4"-20 UNC mounting hardware (Provided by Others).
2. Hang trim panel on mounting frame. Note: The included 1" brackets do not get used with this installation and the plastic spacers are typically not required and can be discarded.
3. Install the four threaded studs into the Wall Mounting Frame
4. Remove the drinking fountain top by taking out the drain screw and lifting at the front while pulling forward. Disconnect bubbler tube. Set top aside in a safe place where it will not be damaged. Place the screw in a secure location where it will not be lost.
5. Slide Fixture over studs and secure with nuts and washers.
6. Assemble P-trap to drain adapter and then assemble to unit with Phillips head screws.
7. Make-up 1-1/4" outer diameter waste connection.
8. After thoroughly flushing the 3/8" outer diameter supply line, connect water supply to the 3-way divider assembly. From the 3-way divider assembly, connect to drinking fountain bubbler.
9. Place drain gasket on drain adapter. Reconnect bubbler tube. Reassemble top to unit by engaging back clip and securing with screw.

**DRINKING FOUNTAIN START UP:**

1. Before connecting power supply, but after thoroughly flushing the supply line, turn on building water supply and check all connections for leaks.
2. Air within the drinking fountain system or the structure supply piping will cause an irregular bubbler outlet stream until purged out by incoming water. Covering the bubbler with a clean cup (or similar object) is recommended when first activating drinking fountain to prevent excessive splashing. Depress front push pad until steady water stream is achieved.
3. If water flow requires adjustment, insert a slotted narrow blade screwdriver in the hole centered on the underside of the fixture in the knee clearance area up to the flow regulator. Turning clockwise will increase flow and turning counterclockwise will decrease flow.
4. Recheck all water connections with water flowing through system.

**-MF1 WALL MOUNTING FRAME:**



ENGAGEMENT DETAIL

**INSTALLATION INSTRUCTIONS:**

- A- PROVIDE A 19" WIDE x 19-1/8" TALL OPENING AT APPROPRIATE HEIGHT. PROVIDE ADEQUATE STRUCTURAL SUPPORT AROUND INSIDE OF OPENING FOR FRAME ANCHORING.
- B- CENTER FRAME (1) WITHIN WALL OPENING. SLIDE FRAME (1) INTO OPENING UNTIL TOP, SIDE AND BOTTOM FLANGES (2) ARE AGAINST FINISHED WALL. SECURE TO WALL FROM THE TOP, SIDES AND BOTTOM USING INSTALLER PROVIDED HARDWARE (3).

- C- INSTALL TRIM PANEL (4) BY ENGAGING OVER JOGGLE (5) ON TOP OF FRAME (1), SEE ENGAGEMENT DETAIL.
- D- ASSEMBLY OF DRINKING FOUNTAIN THROUGH TRIM PANEL (4) INTO MOUNTING FRAME (1) HELPS SECURE TRIM PANEL (4) INTO ONTO WALL.

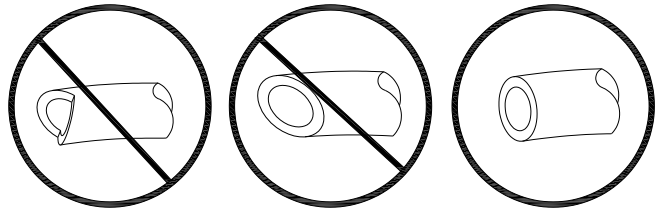
**NOTE:**  
TRIM PANEL FIXTURE MOUNTING POINTS (6) DIFFER TO MATCH MODEL REFERENCED BUT DOES NOT CHANGE THE METHOD OF INSTALLATION.

### **PUSH-IN FITTING INSTALLATION**

NOTE: FITTINGS AND TUBE SHOULD BE KEPT CLEAN, BAGGED AND UNDAMAGED PRIOR TO INSTALLATION.

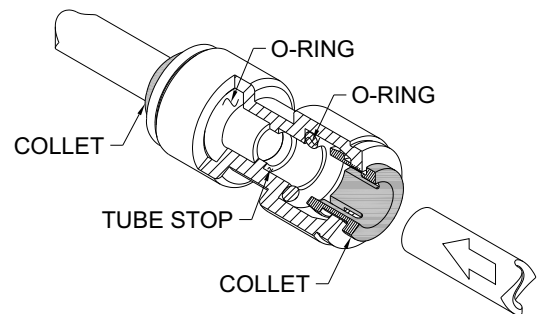
#### **TO CUT TUBE:**

Cut to fit length of 1/4" PE tubing and remove any burrs or sharp edges. Ensure that the outside diameter is free from score marks. Tube ends should be square.

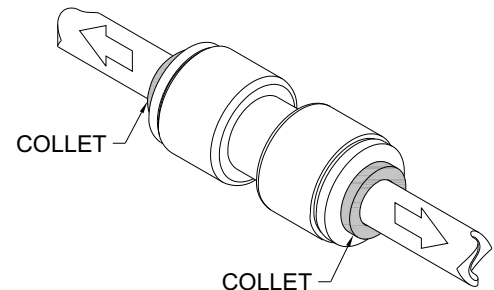


#### **INSERTING THE TUBE:**

1. Firmly and fully insert the tubing end into the push-in fitting up to the tube stop located approximately 1/2" deep.

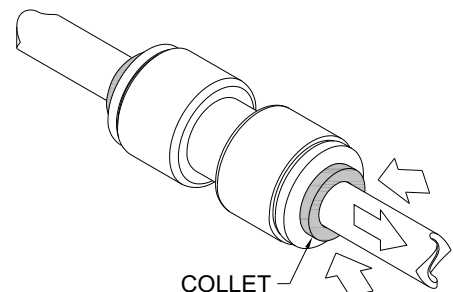


2. Pull on the fitted tubing to ensure it is secure. Tube should not come free from the fitting. Water test the connection assembly prior to leaving the site to ensure there are no leaks.



#### **DISCONNECTING THE TUBE:**

To disconnect the tube from the fitting ensure that the water line is depressurized. Push collet square towards the push-in fitting body and hold. While holding the collet in, pull on the PE tubing to remove from the push-in fitting.





**TROUBLE SHOOTING:**

**1. ADJUSTMENTS:**

- a. Cartridge – The water flow can be adjusted using a slotted narrow blade screwdriver and turning clockwise to increase flow and counterclockwise to decrease flow.
- b. Cold Water Thermostat – The water temperature can be adjusted using a slotted screwdriver and turning clockwise to make colder and counterclockwise to make warmer.
- c. Bubbler Stream - Bubbler can be rotated slightly to direct the stream backwards or forwards. Adjust the stream to minimize splashing. Splashing may occur from bubbler stream if the unit is not level. Shim lower mounting point, if necessary, to level chiller.

**2. RESTRICTED OR NO WATER FLOW:**

- a. Ensure water supply service stop valve is fully open.
- b. Verify minimum 20 psig supply line flow pressure.
- c. Check for twists or kinks in outlet tubing.
- d. Check the water inlet “Y” strainer. Sediment from the main supply can get trapped in the screen along with installation materials such as pipe dope and flux. The screen should be cleaned and checked on a regular basis and replace if needed.
- e. The cartridge valve located in the water control assembly or bubbler can also become clogged with foreign material. The cartridge valve can only be replaced and not repaired.
- f. Check flow adjustment. See start up note #3.
- g. Flow control in solenoid valve outlet elbow clogged remove & clean.
- h. No power to transformer connections, loose or wires cut.

**3. WATER DRIPS OR WILL NOT SHUT OFF:**

- a. Open fixture. Loosen nuts holding valve bracket assembly to bottom of fixture but, do not remove. Move complete valve bracket assembly further back from the front push pad and tighten to lock in place.
- b. Replace valve cartridge.

**CLEANING & MAINTENANCE GUIDE:**

1. Motors have lifetime lubrication and do not require scheduled maintenance.
2. Excess dirt or poor ventilation will cause the compressor overload protector to turn the compressor off and it will cycle on and off with no cold water coming out of bubbler. Periodically clean with vacuum cleaner, air hose or brush the condenser fins and cabinet ventilation louvers. In environments where dirt and dust is more prevalent, clean more frequently.
3. Periodically remove fountain top and clean out in-line strainer.
4. Periodically remove access panel of cooler and clean out inline “Y” strainer

**For Powder coated units:** Units should be cleaned using a mild soap solution with a sponge or cotton cloth. Wipe down surfaces then rinse with clean water.

**For Stainless steel units:**

1. To Remove water spots or rust spots, stainless steel cleaner/polish on a cloth is recommended.
2. If there are stubborn spots or if you wish to treat a scratch, synthetic abrasive general purpose pads such as scotch brite are recommended.
3. Stainless steel should be kept clean at all times. If a coating of stainless steel cleaner/polish is maintained, stainless steel surfaces will retain their new, clean, polished appearance indefinitely.

**CARTRIDGE REPLACEMENT/ STRAINER MAINTENANCE**

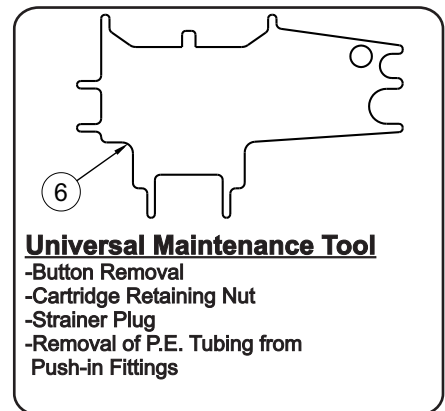
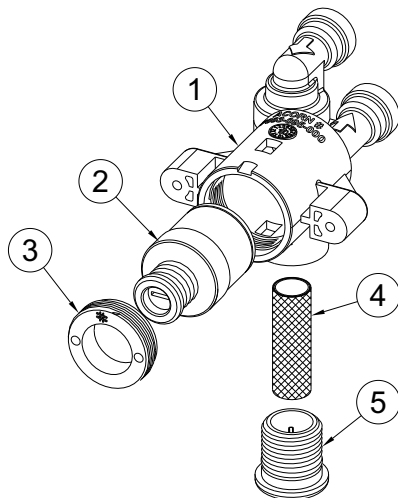
Note: Use the Universal Maintenance Tool to perform the following:

1. Strainer Plug must be removed before Cartridge replacement and Strainer maintenance (no need to turn the water off at the Angle Stop). Some residual water will drain during Plug removal.
2. Clean Strainer as needed using clean water.
3. Cartridge Replacement - insert diamond end of the Universal Tool into Pushbutton, rotate 90 degrees and pull firmly to remove the Button. Remove Cartridge Retaining Nut . Remove and replace Cartridge. When replacing Cartridge, be sure to align the inlet and outlet Ports on the Cartridge with the Ports in the Valve Body.

• **NOTE: STRAINER SCREEN MUST BE IN PLACE FOR WATER TO FLOW.**

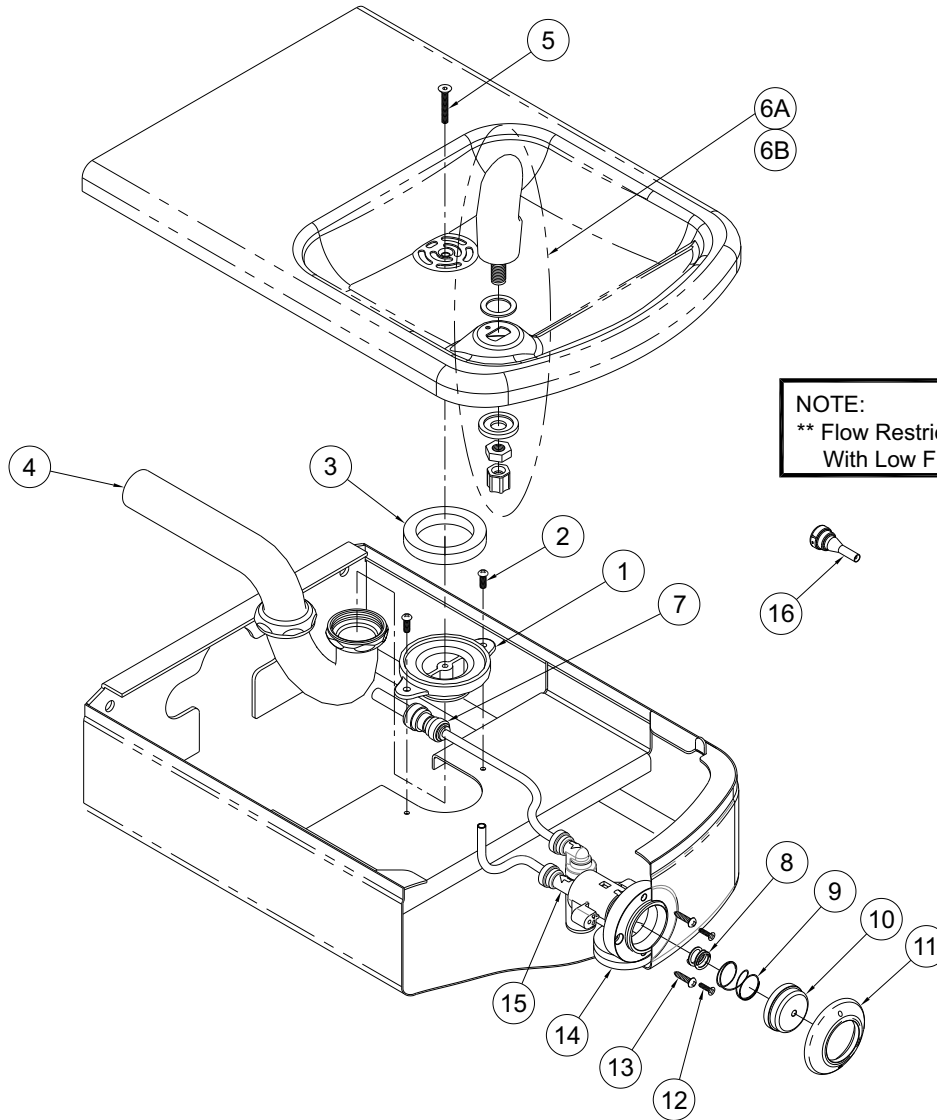
**CARTRIDGE VALVE PARTS BREAKDOWN**

ITEM #	PART NUMBER	DESCRIPTION
1	7003-095-000	Valve Body Sub Assembly
2	7000-060-000	Valve Cartridge
3	7000-052-000	Retaining Nut
4	7003-864-000	Strainer, Auto Stop
5	7003-097-001	Strainer Cap
6	7003-194-199	Maintenance Tool



**DRINKING FOUNTAIN PARTS BREAKDOWN DRAWING**

**Shown is the 18" long unit, however the parts are the same for the 14" long unit.**



**NOTE:**  
\*\* Flow Restrictor Only Available With Low Flow Bubbler.

ITEM #	PART NUMBER	DESCRIPTION	ITEM #	PART NUMBER	DESCRIPTION
1	7000-005-199	Drain Adapter	9	7003-193-000	Spring, Pushbutton Return
2	0116-016-000	#10-32 x 3/8" Phillips Truss Head Screw	10	7003-196-199	Pushbutton, Chrome
3	7000-006-000	Flat Drain Adapter Gasket	11	7003-197-199	Escutcheon, Chrome
4	7000-015-000	1-1/4" OD P-Trap	12	0161-062-000	#6-32 x 1/2" Phillips, Flat Head Screw
5	0152-010-000	#10-32 x 1" Hex Flat Head Screw	13	0124-055-000	#8 x 3/4" Phillips, Round Head Screw
6A	7000-012-001	Stainless Steel Bubbler Assembly	14	7003-198-199	Mounting Sleeve
6B	7000-099-002	Flexible Gray Bubbler Assembly	15	7003-095-001	Valve Body Sub Assembly
7	1895-123-000	1/4" x 3/8" OD Tube Union Push-In	16	7003-093-001	Flow Restrictor - Low-Flow Bubbler Only
8	7003-195-000	Spring, Overtravel			

Repairs must be made with Murdock Manufacturing parts only. Please order through your local representative or distributor. The phone number to locate your local representative is 1.800.591.9360.