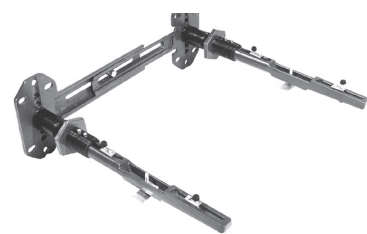
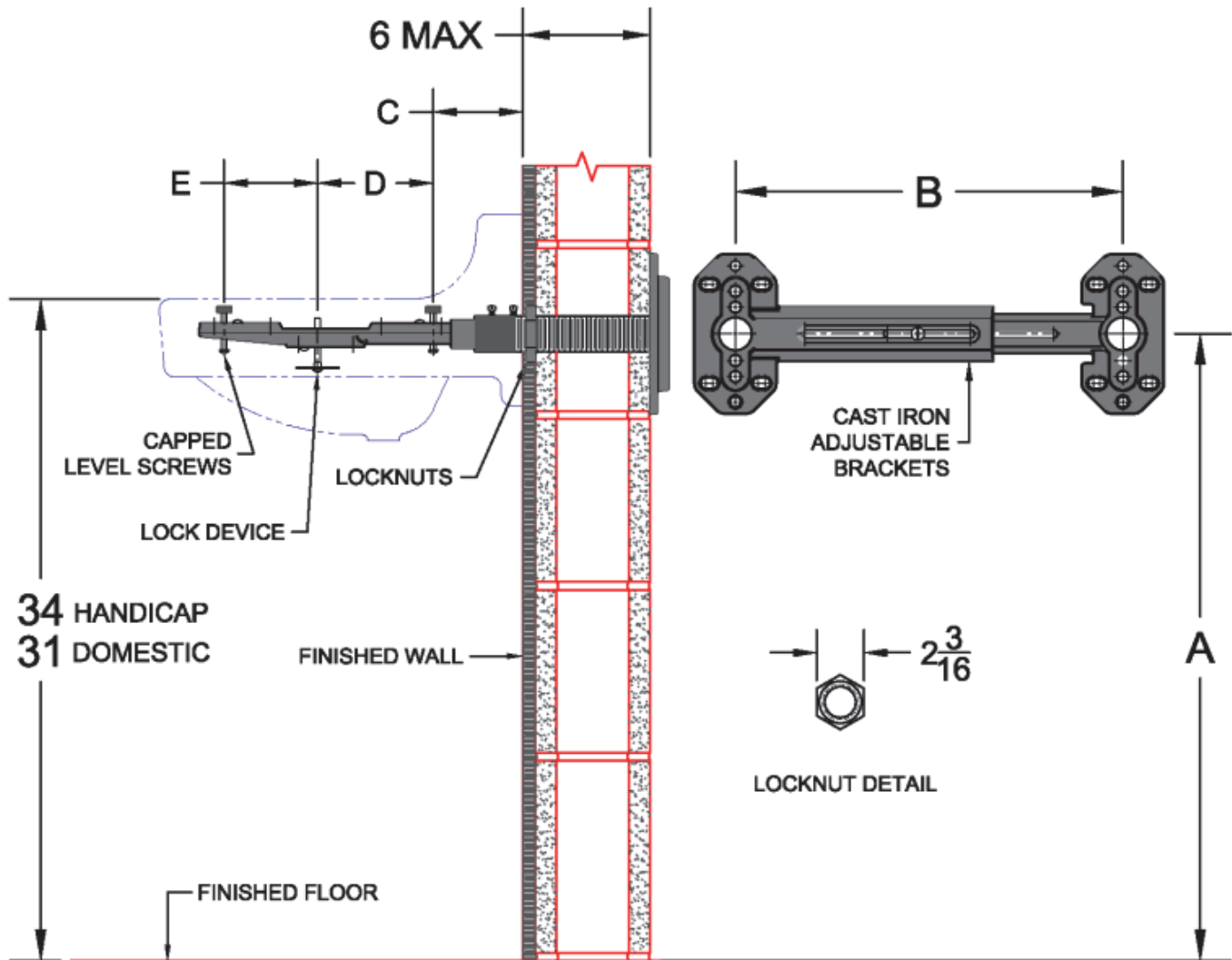


### 573 Wall Mounted Lavatory Support

Project	Engineer	Mechanical
---------	----------	------------



573

Model	•
573	

Suffix Options		
Suffix	Description	•
-M4	Extended Arm Sleeve (Per Inch)	
-M23	2" Concealed Arm Escutcheons	
-M24	Wheelchair Lavatory installation	
-M25	Longer Rear Leveling Screws (High Back Lav)	

**Regularly Furnished:** Wall mounted lavatory support with cast iron concealed arms, & adjustable brackets.