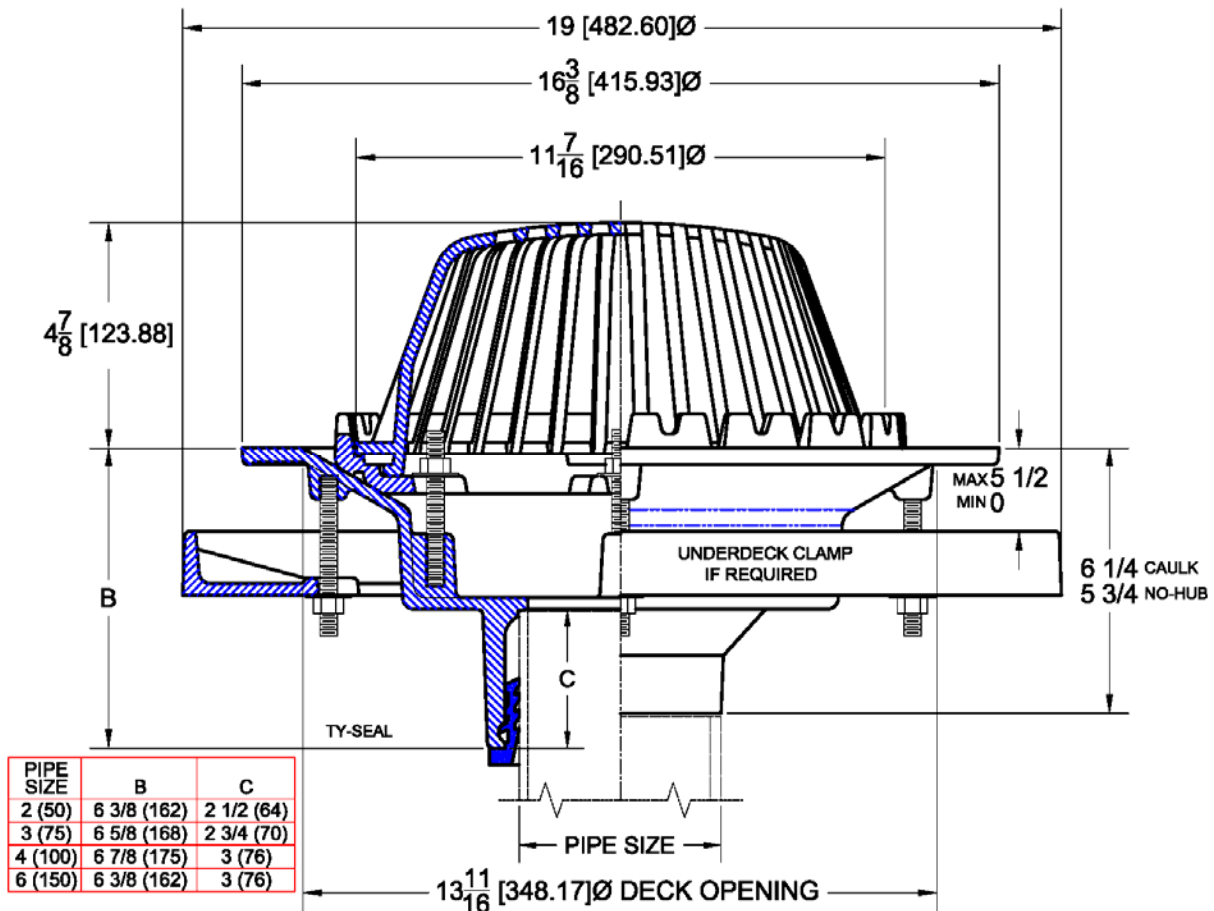


## 3000 Primary Roof Drain

Regularly Furnished: Painted cast iron primary roof drain with flange, combination membrane flashing clamp / gravel guard, medium sump body, mushroom dome and bottom outlet.



Top Material		
✓	Suffix	Description
	-3	Bronze Dome
	-32	Polypropylene Dome
	-42	Cast Iron Dome
	-46	Aluminum Dome

Outlet Variations		
✓	Type	Designation
	No-Hub	2NH, 3NH, 4NH, 5NH, 6NH, 8NH
	Push On	2TY, 3TY, 4TY, 5TY, 6TY, 6TX (PVC)
	Inside Caulk	2IC, 3IC, 4IC, 6IC, 8IC
	Threaded	2IPS, 3IPS, 4IPS, 5IPS, 6IPS, 8IPS

Extensions		
✓	Suffix	Description
	-ADF	Adjustable Extension
	-AE	Adjustable Drain Riser
	-DF	Fixed Extension (Specify 1",2",3",4")
	-EB	Adjustable Drain Extension Flange

Options		
✓	Suffix	Description
	-ARC	Acid Resistant Coating (C.I. Parts)
	-AW	Adjustable Water Level Regulator
	-D	2" High Overflow Dam
	-DFS	Perforated Stainless Steel Extension
	-DP	Perforated Stainless Steel Gravel Stop
	-E	Elastomeric Flange
	-SO	90 Deg. Side Outlet - 3TY,4TY,6TY,6TX
	-SD	Adjustable Internal Overflow Standpipe
	-VP	Vandal Proof Secured Grate
	-39	Galvanized Iron Parts
	-48	Flush Grate
	-49	Bronze Mesh Lined Dome
	-50	Stainless Steel Mesh Lined Dome
	-52	Bearing Pan (Sump Receiver)
	-53	Under Deck Clamp
	-189	Bearing Pan w/ Securing Package