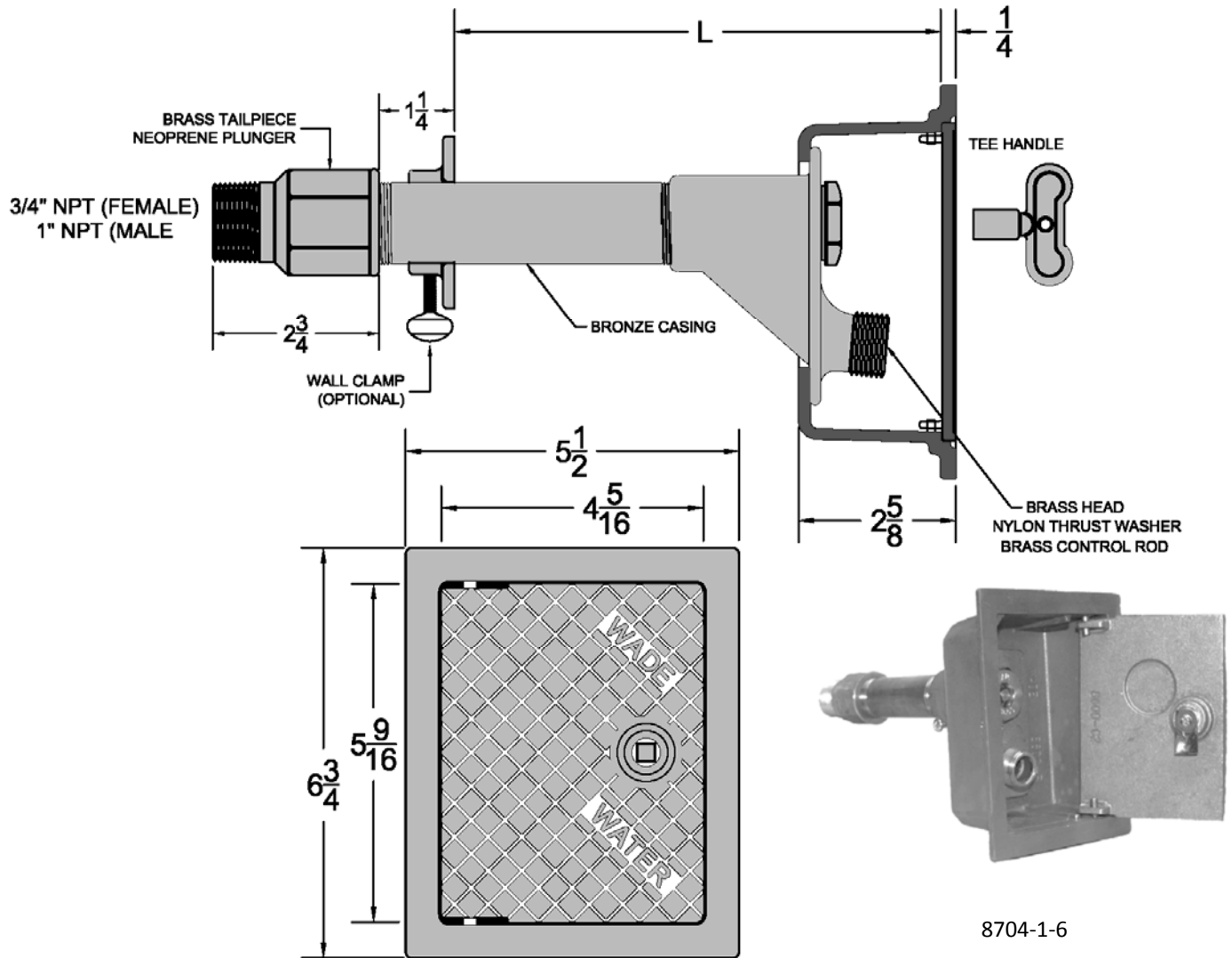


8704 Encased Non-Freeze Wall Hydrant

Project	Engineer	Mechanical
---------	----------	------------



8704-1-6

Wall Thickness	Box Material			
	-1 Satin Finish Nickel Bronze	-2 Satin Finish Bronze	-85 Satin Finish Stainless Steel	-102 Chrome Plated Box
6"				
8"				
10"				
12"				
14"				
16"				
18"				
20"				
22"				
24"				

Suffix Options		
Suffix	Description	•
-HDR38	Replacement Rod	
-WK02	Repair Kit (Less Rod)	
-87	Wall Clamp	
-88	3/4" Solder Inlet*	
-89	Vacuum Breaker *	
-90	1" Hose Connection*	
-92	Key Operated Cylinder Lock	

Maximum Working Pressure: 125 PSI

Regularly Furnished: Freezeless wall hydrant with compression closure valve, bronze casing, 3/4" hose connection and box with hinged locking cover.

**Dimensions vary from illustration*