



DRINKING FOUNTAIN

A112 Series

MODEL A112H00S

BARRIER FREE, 2 STATION, CAST ALUMINUM WALL MOUNTED DRINKING FOUNTAIN

STANDARD FEATURES

- Child or Adult ADA Compliant (when properly installed)
- Resistant to sunlight, heat, moisture and wear
- White enamel coated cast iron fixtures
- Polished stainless steel, lead-free, anti-rotation, non-squirt bubbler
- 100 mesh inlet strainer
- Vandal resistant galvanized steel bottom plate and screws
- P-trap, 1-1/4" O.D.



"INDOOR USE ONLY"

SUGGESTED SPECIFICATIONS

Model A112H00B is a wall mounted, two (2) station drinking fountain made from cast aluminum with a white powder coated finish. Unit shall be activated by side mounted, self-closing pushbutton valves, by using less than 5 pounds of force. Internally mounted adjustable stream regulators shall control the water flow. Bubblers shall be polished chrome plated brass with non-squirt features and operate on a water pressure range of 20-105 psig. Unit is certified to ANSI A117.1, ANSI/NSF 61.9 and Public Law 111-380. Fixture meets ADA, ADA Standing Person, and ADA Child requirements when mounted appropriately.

MODEL:

(Must Specify)

FLEXIBLE BUBBLER (LOW FLOW)

A112H00F White, Cast Aluminum

LEAD-FREE STAINLESS STEEL BUBBLER

A112H00S White, Cast Aluminum (Shown)

OPTIONS

(additional costs may be incurred)

- CSC Concealed support carrier
- FRA2 Freeze resistant valve system
- MP3 Mounting plate and hardware

Complies with the following standards:



Member of U.S. Green Building Council



Recyclable Product



Water Conserving Product

⚠ WARNING: Cancer and Reproductive Harm - www.P65Warnings.ca.gov
 ⚠ ADVERTENCIA: Cáncer y daño reproductivo - www.P65Warnings.ca.gov

MURDOCK MFG. • 15125 Proctor Avenue • City of Industry, CA 91746 USA
 Phone 800-453-7465 or 626-333-2543 • Fax 626-855-4860 • www.murdockmfg.com

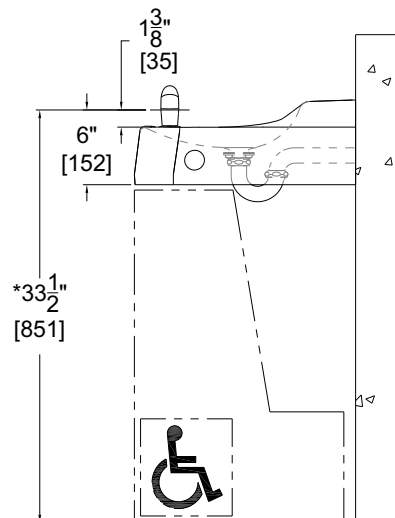
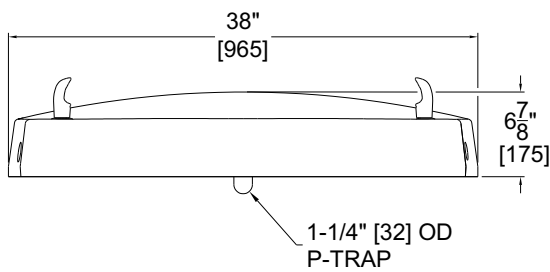
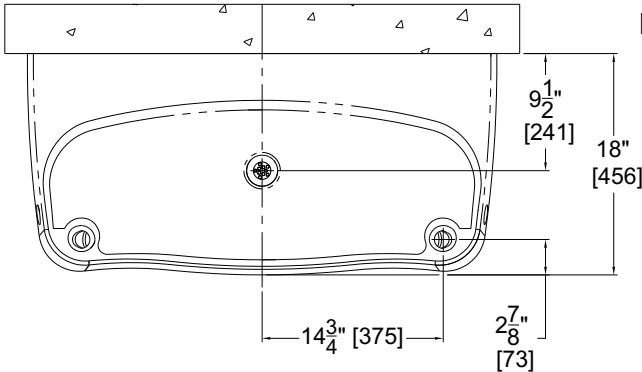
Member of **MORRIS GROUP INTERNATIONAL**



DRINKING FOUNTAIN

A112 Series MODEL A112H00S

BARRIER FREE, 2 STATION, CAST ALUMINUM
WALL MOUNTED DRINKING FOUNTAIN



GENERAL NOTES:

1. ALL DIMENSIONS ARE IN INCHES [MM].
- *2. DIMENSIONS SHOWN ARE FOR RECOMMENDED ADULT HEIGHT, ADJUST VERTICAL DIMENSIONS AS NECESSARY TO COMPLY WITH FEDERAL, STATE & LOCAL CODES.
3. STOP VALVE NOT PROVIDED.

Murdock Mfg.™ warrants that its products are free from defects in material or workmanship under normal use and service for a period of one year from date of shipment. Murdock's liability under this warranty shall be discharged solely by replacement or repair of defective material, provided Murdock™ is notified in writing within one year from date of shipment, F.O.B. Industry, California.

SELECTION SUMMARY & APPROVAL FOR MANUFACTURING	Model Number & Options _____	Quantity _____	All dimensions are subject to manufactures tolerance of plus or minus 1/2" nominal and subject to change without notice. Murdock assumes no responsibility for use of void or superseded data. Dimensions may change with the addition of optional accessories. Murdock Mfg.™, Member of Morris Group International™. Please visit www.murdockmfg.com for most current specifications.
	Company _____		
	Contact _____	Title _____	
	Signature (Approval for Manufacturing) _____	Date _____	

MURDOCK MFG. • 15125 Proctor Avenue • City of Industry, CA 91746 USA
Phone 800-453-7465 or 626-333-2543 • Fax 626-855-4860 • www.murdockmfg.com

Member of
MORRIS GROUP
INTERNATIONAL