

Location: \_\_\_\_\_

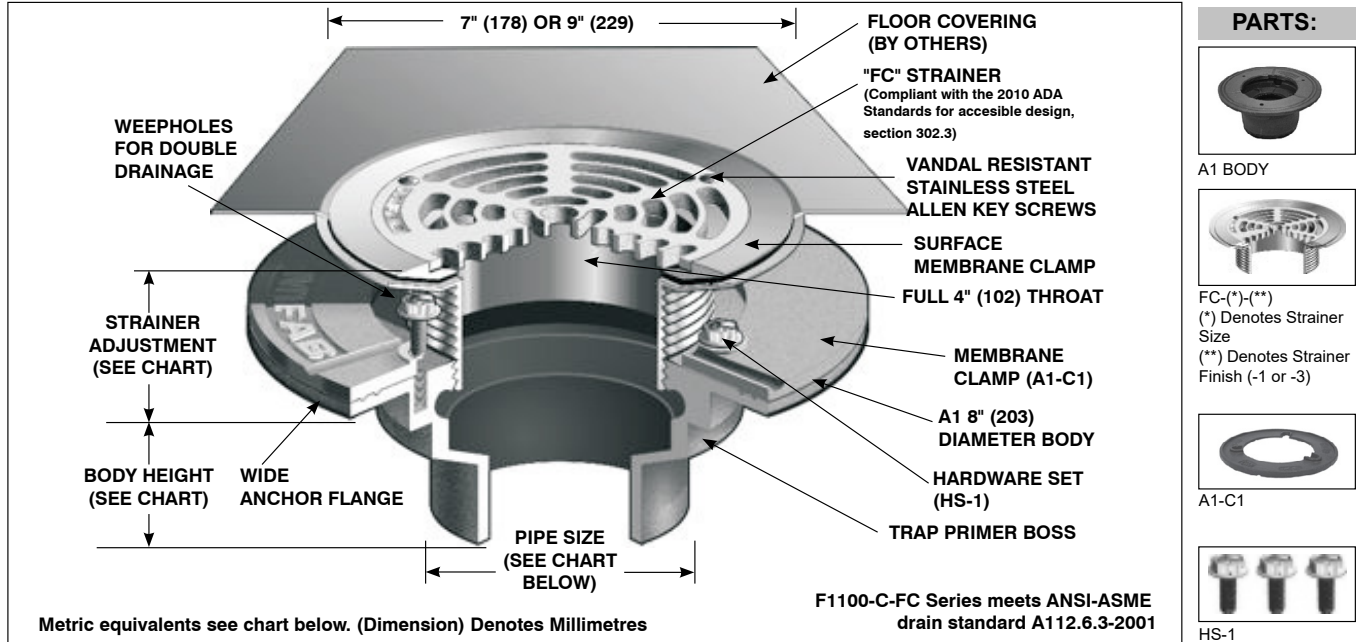


# F1100-C-FC





## FLOOR DRAIN WITH SURFACE MEMBRANE CLAMP FOR MEMBRANE FLOOR AREAS

**Specification:** MIFAB® Series F1100-C-FC( )-1 lacquered cast iron floor drain with anchor flange, cast iron membrane clamp ring with primary and secondary weepholes for waterproofing membrane, and "FC" (specify diameter) round, reinforced satin finished nickel bronze strainer with surface membrane clamp and vandal resistant, allen key screws. (For non-membrane floors, use MIFAB F1100-FC Series.)

**Function:** Used in showers, kitchens, restrooms, and other areas where a surface membrane is required. Round, adjustable, strainer is used for all types of poured finished floors. Membrane clamp is provided on body to secure waterproofing membrane on body.



**PARTS:**

-  A1 BODY
-  FC-(\*)-(\*\*)  
(\*) Denotes Strainer Size  
(\*\*) Denotes Strainer Finish (-1 or -3)
-  A1-C1
-  HS-1

STRAINER SIZE	STRAINER ADJUSTMENT		ANSI/ASME RATING		PIPE SIZE	BODY HEIGHT				
	MIN	MAX	FREE AREA	LOAD RATING		NO HUB (STANDARD)	PUSH ON (P)	THREADED (T)	INSIDE CAULK (X)	PVC/ABS (-30)/(-31)
7" (178)	1 1/8" (28)	1 7/8" (48)	9 in <sup>2</sup> (5800 <sup>2</sup> )	Up To 2000 Lbs.	2" (51)	3" (76)	3 3/8" (86)	2 1/4" (57)	3 3/4" (95)	2 15/16" (75)
9" (229)	1 1/8" (28)	1 7/8" (48)	12 in <sup>2</sup> (7700 <sup>2</sup> )	Up To 2000 Lbs.	3" (76)	3" (76)	3 3/8" (86)	2 5/8" (67)	3 3/4" (95)	3 3/4" (95)
					4" (102)	3" (76)	3 3/8" (86)	2 5/8" (67)	3 3/4" (95)	3 3/4" (95)
					5" (127)	3" (76)	--	2 5/8" (67)	3 3/4" (95)	--
					6" (152)	3 1/4" (83)	6 1/2" (165)	--	--	--

SUFFIX	OPTIONAL VARIATIONS
-1	Nickel bronze strainer (standard)
-3	Stainless steel strainer
-5	Sediment bucket
-6	Security screws (T-20 Torx & pin)
-7	1/2" trap seal primer connection
-8	Backwater valve (2", 3", 4")
-11	Acid resistant epoxy coated body
-13	Galvanized body
-15	Extension
-21	Secondary flat stainless steel strainer (2", 3", 4")
-28	Stainless steel body (Type 304)
-30	PVC socket connection body
-31	ABS socket connection body
-34	Closure plug

-40	Underdeck clamp
-41	Sump receiver
-49	Chrome plated strainer assembly (add to -1 only)
-90	Threaded side outlet (2", 3", 4") (cast iron only)
-90NH	No hub side outlet (2", 3", 4") (cast iron only)
-95	Client logo
-BA	Buy American Act compliant product
-C2	High rough-in membrane clamp (min. 1 9/16" (40))
(Standard)	No hub outlet
-MG	MI-GARD Floor Drain Trap Sealer (2", 3" or 4")
P	Push on outlet
-PA	Pennsylvania Steel Act compliant product
T	Threaded outlet (2", 3", 4")
X	Inside caulk outlet
-Z	Extended wide elastomeric flange

CALIFORNIA PROPOSITION 65 WARNING. This product contains chemicals known to the State of California to cause cancer and birth defects or other reproductive harm.

Job Name: \_\_\_\_\_ Page No: \_\_\_\_\_  
 Section No: \_\_\_\_\_ Contractor: \_\_\_\_\_  
 Schedule No: \_\_\_\_\_ Purchase Order No: \_\_\_\_\_