

Location: _____

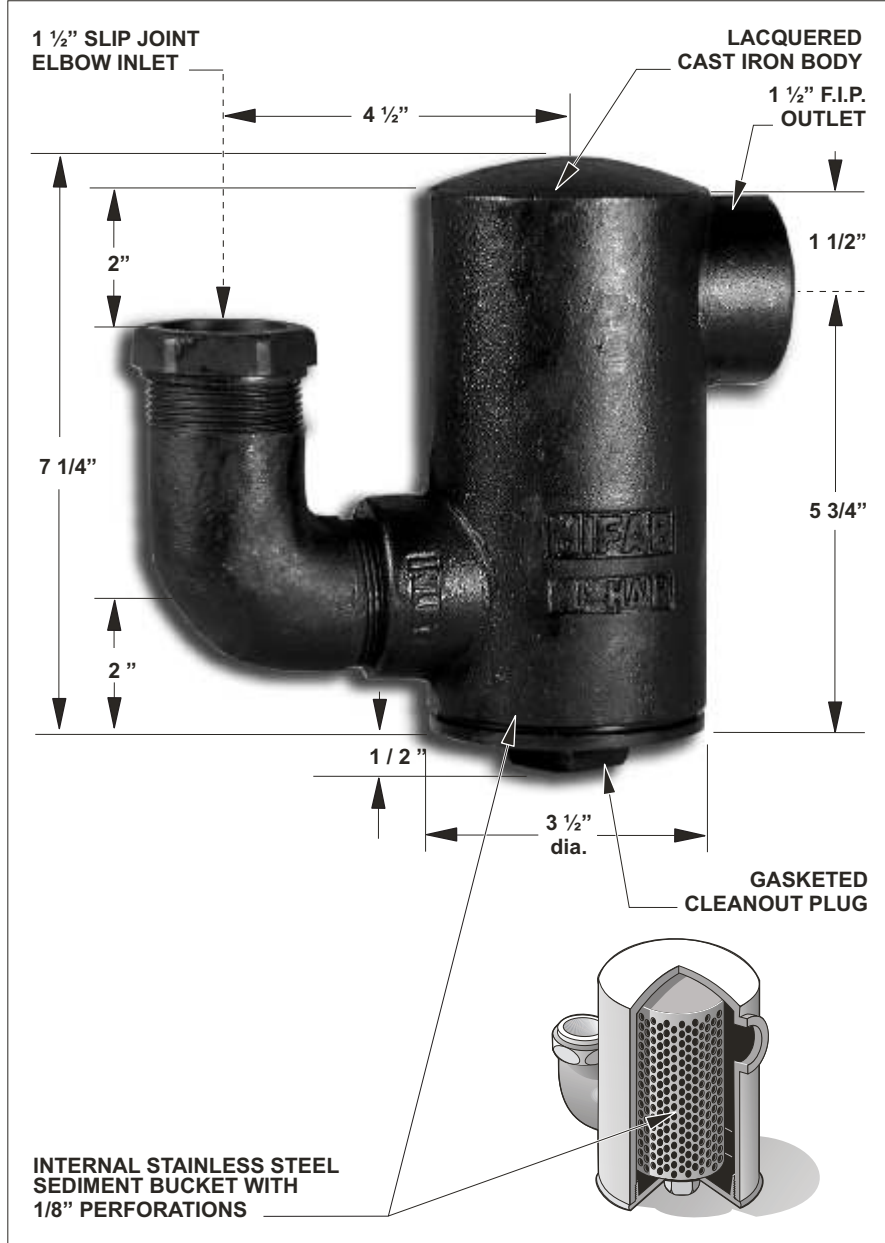


MI-HAIR

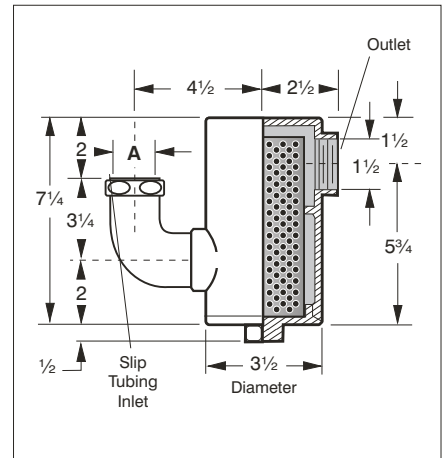
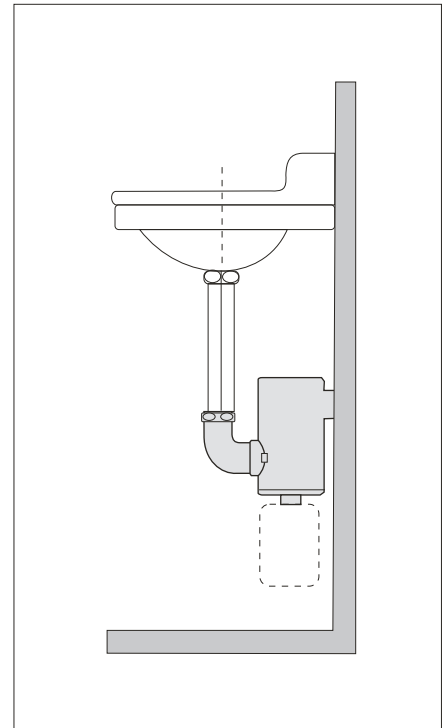
HAIR INTERCEPTOR

Specification: MIFAB® Series MI-HAIR lacquered cast iron hair and solids interceptor with internal stainless steel perforated sediment bucket removable from bottom. Interceptor complete with 1 1/2" slip joint elbow inlet, 1 1/2" F.I.P. side outlet and gasketed cleanout plug.

Function: Used in beauty salons, dental offices, jewellery stores, motels, dormitories and other areas that require interception of hair, solids or valuables from lavatory or sink waste lines. Interceptor is cleaned by removing bottom cleanout plug and dropping internal stainless steel sediment bucket.



TYPICAL INSTALLATION



- Note:** 1. Minimum of 7" is required underneath MI-HAIR for easy removal of sediment bucket.
 2. Chrome plated cast iron hair interceptor (Suffix -49) is ideal for beauty salons and other exposed installations.

SUFFIX **OPTIONAL VARIATIONS:**

-11 Acid resistant epoxy coating

-13 Galvanized body

SUFFIX

-49 Chrome plated

-SSB Replacement stainless steel sediment bucket

Job Name: _____ Page No: _____

Section No: _____ Contractor: _____

Schedule No: _____ Purchase Order No: _____