



HYDRANTS

Post Hydrant

MODEL M-E10

3/4" FREEZE RESISTANT,
ECONO POST HYDRANT

STANDARD FEATURES

Model M-E10 delivers year-round service outside or in unheated buildings. To provide freeze resistant functionality, the control valve is located below the frost line. Turning the handle raises or lowers the internal supply-line assembly, controlling the valve. Constructed of heavy lead-free brass, premium-quality gray iron and steel, the M-E10 is designed for trouble-free reliability and easy maintenance.

SUGGESTED SPECIFICATIONS

Hydrant shall be Murdock-Super Secur model M-E10. Unit shall be capable of year-round use in freezing weather.

Unit shall extend below grade level so that centerline of supply inlet is positioned at or below frost line. Inlet shall have 3/4" NPT female connection.

Water shall be gravity-evacuated from inner supply column when valve is shut off.

Valve shall be turn-handle operated. Handle shall be fabricated of one-piece iron casting finished with a heavy grade of oil-based green enamel. Stock, top, and base shall be fabricated of heavy, one-piece iron castings finished with a heavy grade of oil-based green enamel.

Inner supply assembly shall incorporate solid-brass castings. All solid brass castings shall conform to ASTM standards B61 and B62. Lead-free castings are used in all waterways.

Outer casing shall be black iron pipe, finished with a heavy grade of oil-based green enamel.

Hydrant shall consist of internal supply line and a surrounding outer casing pipe for protection of waterway.

Nozzle shall be solid brass casting, threaded for 3/4" NPS hose connection.



Standard Model: M-E10

DEPTH OF BURY *(additional costs may be incurred)*

- 2 ft. (61 cm)
- 3 ft. (91.4 cm)
- 4 ft. (121.9 cm)
- 5 ft. (152.4 cm)
- 6 ft. (182.9 cm)
- Other _____

OPTIONS *(additional costs may be incurred)*

- BFH Double ball check valve and vacuum breaker*
- VB Vacuum breaker
- LC1 Locking cover, less padlock*
- R01 Shut off valve with plate*
- Plain end spout
- Sewer drain connection

* See separate option sheets



WARNING: Cancer and Reproductive Harm - www.P65Warnings.ca.gov

MURDOCK MFG. • 15125 Proctor Avenue • City of Industry, CA 91746 USA
Phone 800-453-7465 or 626-333-2543 • Fax 626-855-4860 • www.murdockmfg.com



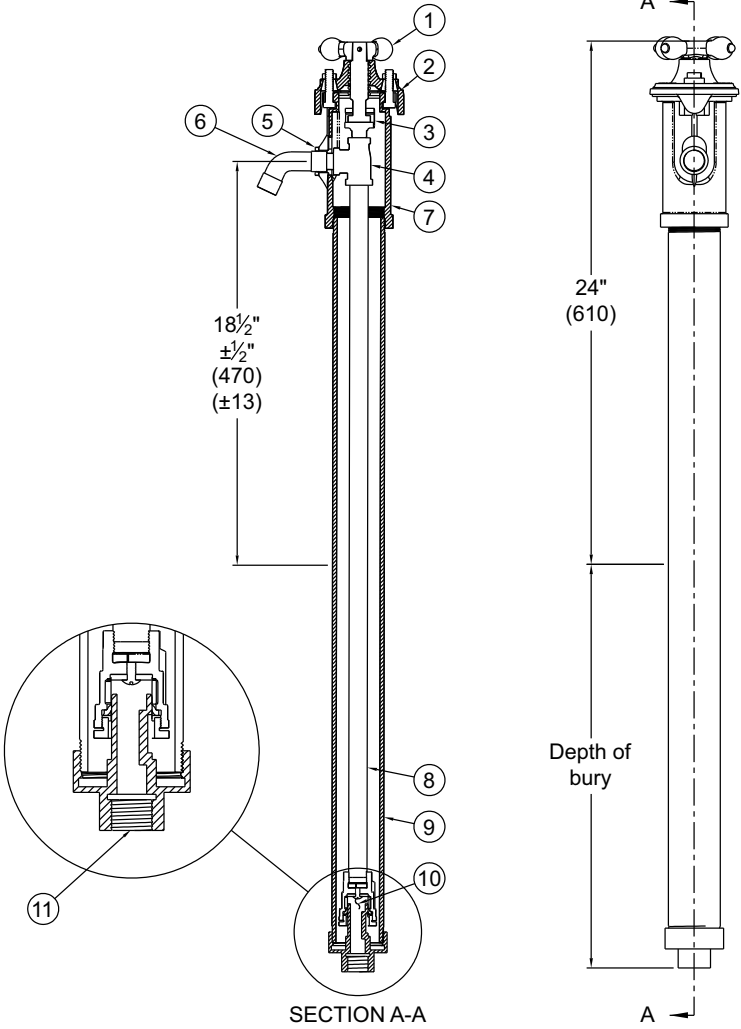


HYDRANTS

Post Hydrant

MODEL M-E10

3/4" FREEZE RESISTANT,
ECONO POST HYDRANT



- ① Handle & screw
- ② Top
- ③ Stirrup
- ④ Tee
- ⑤ Slide
- ⑥ 3/4" Hose thread brass nozzle
- ⑦ Stock
- ⑧ Inner supply pipe
- ⑨ Outer casing
- ⑩ Valve
- ⑪ 3/4" female NPT brass connection

Murdock Mfg.™ warrants that its products are free from defects in material or workmanship under normal use and service for a period of one year from date of shipment. Murdock's liability under this warranty shall be discharged solely by replacement or repair of defective material, provided Murdock™ is notified in writing within one year from date of shipment, F.O.B. Industry, California.

SELECTION SUMMARY & APPROVAL FOR MANUFACTURING	Model Number & Options _____	Quantity _____
	Company _____	
	Contact _____ Title _____	
	Signature (Approval for Manufacturing) _____	Date _____
	All dimensions are subject to manufactures tolerance of plus or minus 1/2" nominal and subject to change without notice. Murdock assumes no responsibility for use of void or superseded data. Dimensions may change with the addition of optional accessories. Murdock Mfg.™, Member of Morris Group International™. Please visit www.murdockmfg.com for most current specifications.	

MURDOCK MFG. • 15125 Proctor Avenue • City of Industry, CA 91746 USA
 Phone 800-453-7465 or 626-333-2543 • Fax 626-855-4860 • www.murdockmfg.com

