

## 1/2 HP Sump Pump

### FEATURES:

---

- Heavy Cast Iron
- Glass filled Polypropylene debris cage
- Glass filled Polypropylene impeller passes .425" spherical solid wastes
- 1-1/2" FIP Connection
- Weight 17 Pounds.

### OPERATION:

---

- 9 Ft. Power Cable
- 1/2 HP Motor
- Easy One Screw Float Switch Replacement

### STANDARDS:

---

- ASME A112.18.1/CSA B125.1 certified
- NSF/ANSI 61 certified
- NSF 372 certified
- ADA compliant

### REPAIR PARTS:

---

- 80749: Replacement Switch



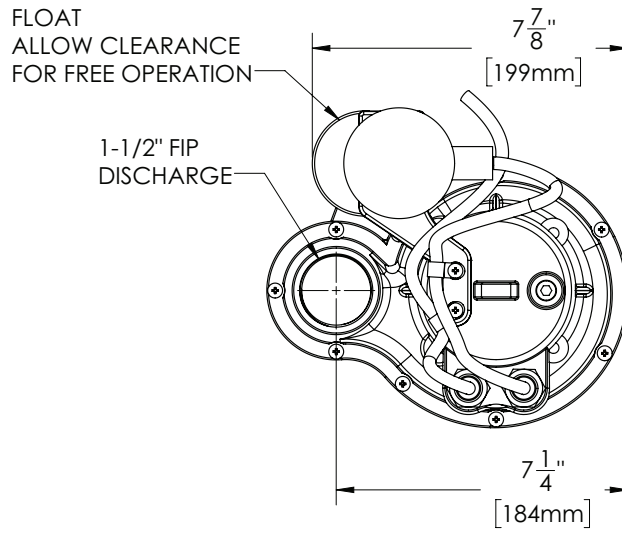
Information continues on next page

1. All dimensions are in inches (millimeters) unless otherwise specified and are subject to change without notice.

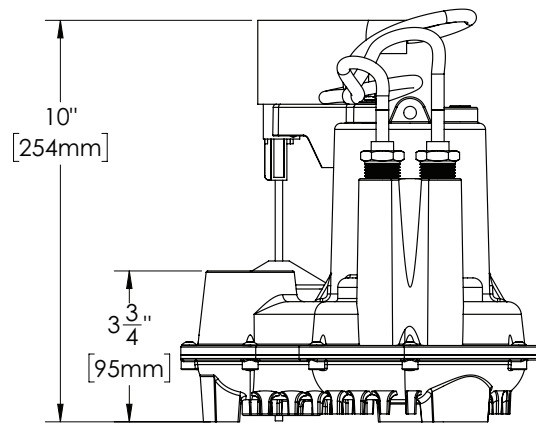
Architect/Engineer Approval Space:

P: 800-537-2107  
F: 800-977-2747  
W: WWW.SPEAKMAN.COM  
R: 01-APRIL 2021

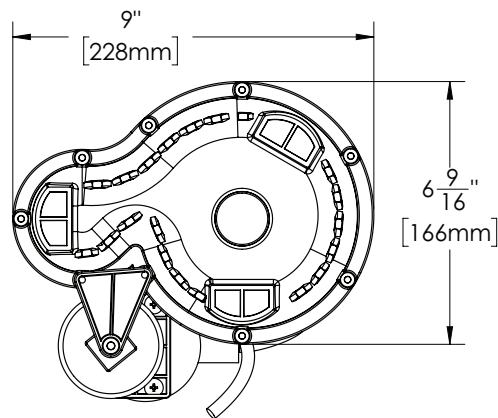
## 1/2 HP Sump Pump



TOP VIEW



SIDE VIEW



BOTTOM VIEW

1. All dimensions are in inches (millimeters) unless otherwise specified and are subject to change without notice.

Architect/Engineer Approval Space:

P: 800-537-2107  
F: 800-977-2747  
W: WWW.SPEAKMAN.COM  
R: 01-APRIL 2021