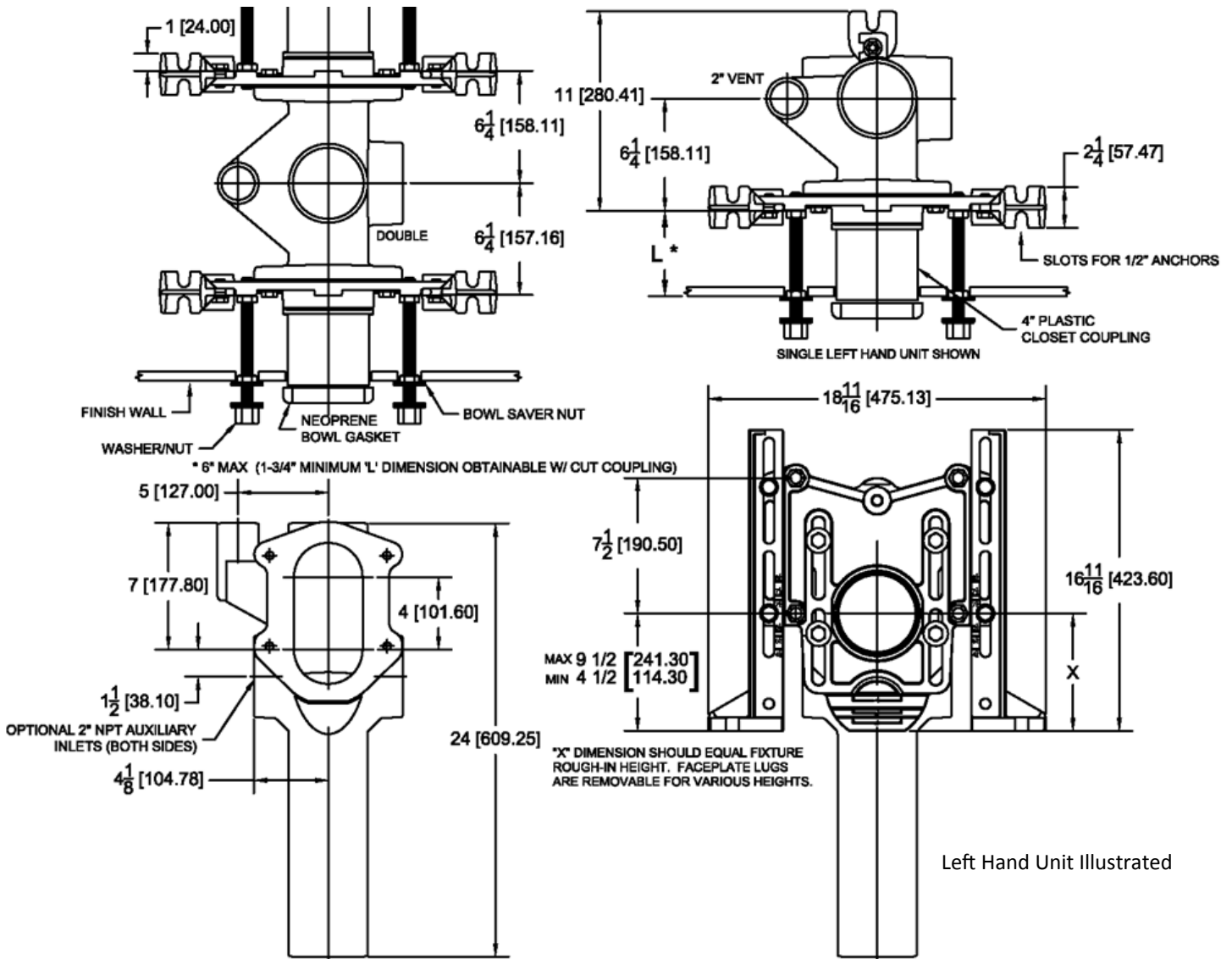


330 Vertical Adjustable Water Closet Support (300 Lb.)

Project	Engineer	Mechanical
---------	----------	------------



Model	Configuration	Connection Type
330-NR4	Single RH	No-Hub
330-NL4	Single LH	
330-ND4	Double	

Regularly Furnished: Vertical water closet carrier with fitting, floor mounted foot support, rear anchor, 7" ABS coupling with o-ring seal, test cap, threaded zinc plated support studs and hardware, stud protectors, neoprene bowl basket, chrome plated cap nuts, & adjustable faceplate.

Suffix	Description	
-AM1	Flush Valve Support	
-AM21	Tiling Flange	
-ECC	Extending Coupling & Hardware (Per Inch)	
-FPO	Adjustable, All Thread ABS Coupling	
-HR	High Rough Faceplate*	
-LR	Low Rough Faceplate *	
-JJ	Dual 2" Female Threaded Auxiliary Inlets	
-JL	2" Female Thread Left Hand Auxiliary Inlet	
-JR	2" Female Thread Right Hand Auxiliary Inlet	

Suffix Options		
Suffix	Description	
-M3	Vandal Proof Hardware	
-M4	Rod Supported Feet*	
-M14	Floor Mounted, Back Outlet Adapter	
-M26	Adjustable Cast Iron Coupling	

*Dimensions vary from illustration