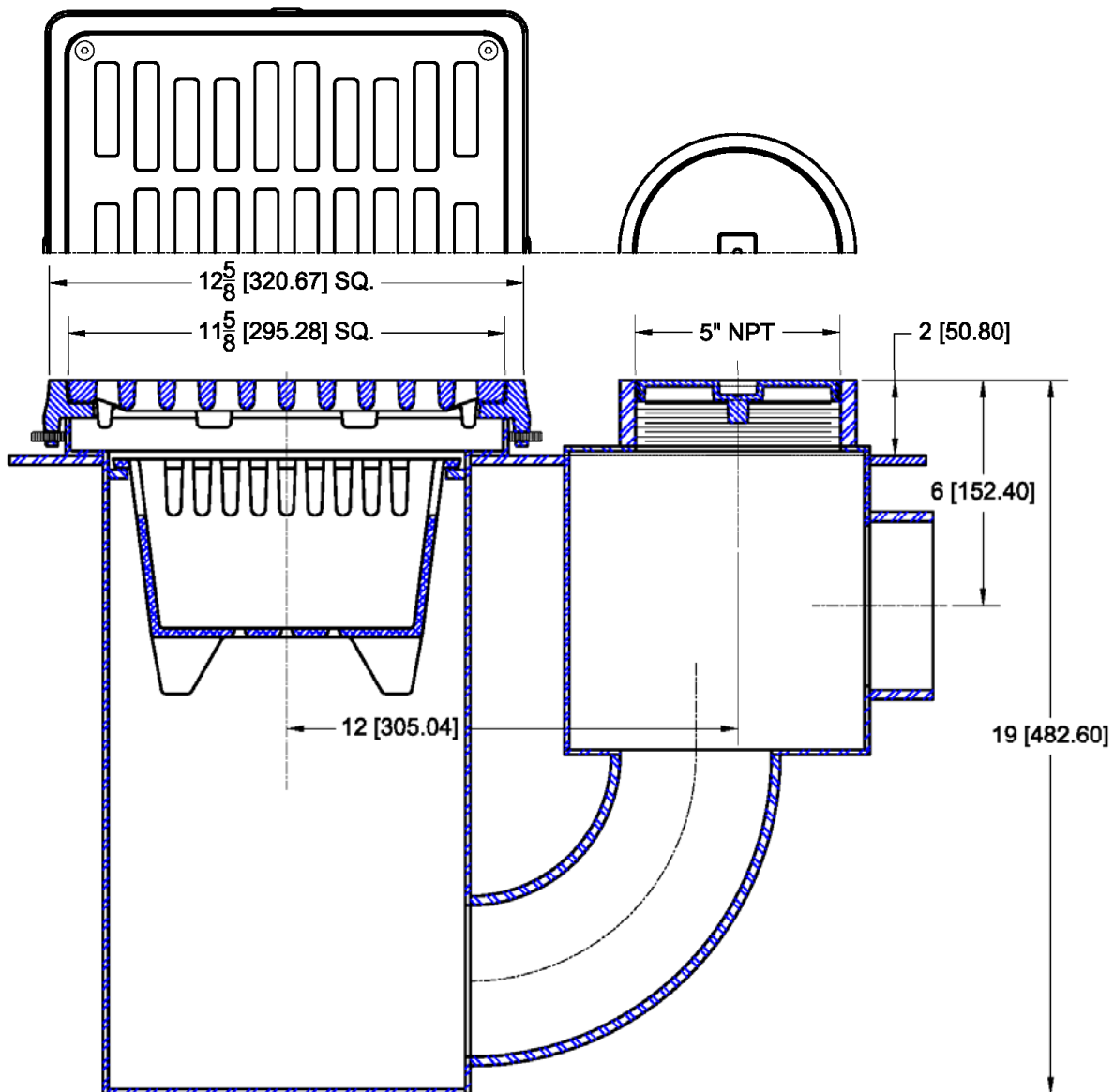


2080 Industrial Area Drain w/ Integral P-Trap & Floor Level Cleanout

Regularly Furnished: Painted fabricated steel industrial drain with medium sump body, integral trap, floor level cleanout, suspended sediment bucket and side outlet.



Top Material		
✓	Suffix	Description
	-1	Satin Finish Nickel Bronze
	-2	Satin Finish Bronze
	-12	Painted Ductile Iron
	-304	Stainless Steel Veneer
Outlet Variations		
✓	Type	Designation
	No-Hub	2NH, 3NH, 4NH, 6NH
	Push On	2TY, 3TY, 4TY, 6TY, 6TX (PVC)
	Threaded	2IPS, 3IPS, 4IPS, 6IPS

Options		
✓	Suffix	Description
	-ARC	Acid Resistant Coating
	-SS	All Stainless Steel
	-VP	Vandal Proof
	-26	Clamp Device
	-31	Backwater Valve
	-39	Galvanized Iron Parts
	-123	Stainless Steel Mesh Lined Bucket