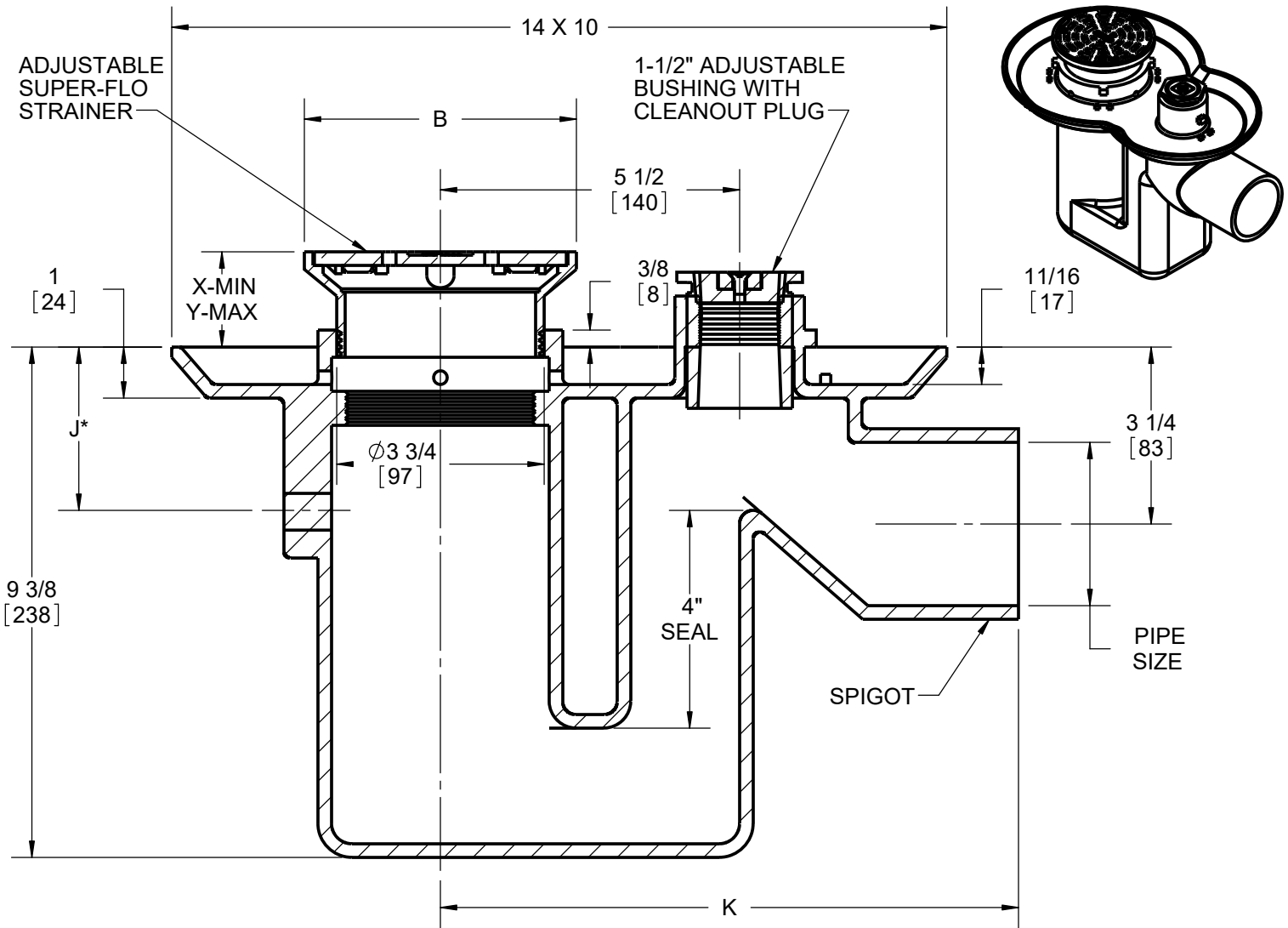


**SPECIFICATION:**

JOSAM 30500-A SERIES COATED CAST IRON COMBINED FLOOR DRAIN AND INTEGRAL DEEP DRUM TYPE "P" TRAP WITH DOUBLE DRAINAGE FLANGE, NO-HUB SPIGOT SIDE OUTLET, WEEPHOLES, BRONZE INTEGRAL FLUSH-FLOOR CLEANOUT AND NIKALOY ADJUSTABLE ROUND SUPER-FLO STRAINER.

**FLOOR DRAIN  
ADJUSTABLE FLOOR DRAIN**

SERIES **30500-A**



\* IPS PRIMER TAPPING (-49) & (-50)  
AUX. THREADED INLET (-51) & (-52)

**OPTIONS:**

| MODEL | PIPE SIZE | J*    | K      |
|-------|-----------|-------|--------|
| 30502 | 2"        | 3     | 14-1/8 |
| 30503 | 3"        | 3-1/2 | 11     |
| 30504 | 4"        | 4-1/8 | 11     |

|     |                                     |
|-----|-------------------------------------|
| -HD | HEAVY DUTY LOAD RATING (5A&6A ONLY) |
| -C  | BOLTED FLASHING CLAMP DEVICE        |
| -49 | 3/4" PRIMER TAP                     |
| -50 | 1/2" PRIMER TAP                     |
| -51 | 1-1/2" THREADED AUXILIARY INLET     |
| -52 | 2" THREADED AUXILIARY INLET         |
| -92 | GALVANIZED CAST IRON PARTS          |
| -2  | BRONZE ADJUSTABLE STRAINER          |
| -SS | STAINLESS STEEL ADJ. STRAINER       |
| -80 | PERFORATED SS BASKET                |
| -CP | CHROME PLATED STRAINER (5A, 6A)     |
| -J  | BACKWATER VALVE                     |
| -VP | SECURED GRATE, VANDAL-PROOF SCREWS  |

| STRAINER | B | X     | Y     | FREE AREA |
|----------|---|-------|-------|-----------|
| -5A      | 5 | 1-3/8 | 2-1/8 | 7.8       |
| -6A      | 6 | 1-5/8 | 2-3/8 | 11.0      |
| -7A      | 7 | 1-5/8 | 2-3/8 | 13.2      |
| -8A      | 8 | 2     | 2-5/8 | 16.2      |

DATE OF LAST CHANGE: 07/24/18

DIMENSIONS ARE SUBJECT TO MANUFACTURERS TOLERANCES AND CHANGE WITHOUT NOTICE. WE CAN ASSUME NO RESPONSIBILITY FOR USE OF SUPERSEDED OR VOID DATA.

**JOSAM**

MICHIGAN CITY, INDIANA

NOTES