



# BOTTLE FILLER

## BF1S Series

### MODEL: BF1S

HEAVY DUTY PUSHBUTTON OPERATED BOTTLE FILLER

#### STANDARD FEATURES

- Heavy Duty Stainless Steel Construction
- Lead Free
- Laminar Flow Water Supply
- 1 GPM Fill Rate (Min. Set Pressure 40 PSI)
- 100-Mesh Inlet Strainer

#### SUGGESTED SPECIFICATIONS

Model BF1S is a Pushbutton Operated Heavy Duty Bottle Filler designed to be used with a Murdock A171 Series Barrier-Free Water Cooler. When installed properly, the Bottle Filler complies with ADA forward reach requirements. Bottler Filler shall be activated using a pneumatically operated Hemispherical Pushbutton using less than 5 pounds of force. Cabinet shall be heavy gauge stainless steel with exposed surfaces polished to a #4 satin finish. Unit is certified to ANSI A117.1, Public Law 111-380 (NO-LEAD), CHSC 116875 and NSF/ANSI 61, Section 9.



Model BF1S Shown  
\*\*U.S. DESIGN PATENT D718,971 S

**“RATED FOR INDOOR AND OUTDOOR USE”**

#### MODEL:

(Must Specify)

- BF1S Heavy Duty Pushbutton Operated Bottle Filler

#### OPTIONS

(additional costs may be incurred)

- WF1 1500-gallon capacity, NSF 42+53, 1 micron lead reduction filter <sup>1, 2</sup>

#### Options Notes:

<sup>1</sup> Water Filter is shipped loose for remote mounting or mounting within Water Cooler.

<sup>2</sup> Refer to Supplemental Sheet for additional information.

Complies with the following standards:



Member of U.S. Green Building Council



Recyclable Product



Water Conserving Product

**WARNING:** Cancer and Reproductive Harm - [www.P65Warnings.ca.gov](http://www.P65Warnings.ca.gov)

MURDOCK MFG. • 15125 Proctor Avenue • City of Industry, CA 91746 USA  
Phone 800-453-7465 or 626-333-2543 • Fax 626-855-4860 • [www.murdockmfg.com](http://www.murdockmfg.com)

Member of MORRIS GROUP INTERNATIONAL

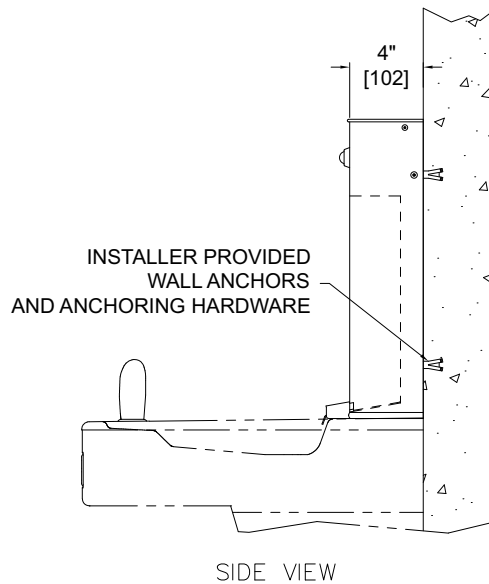
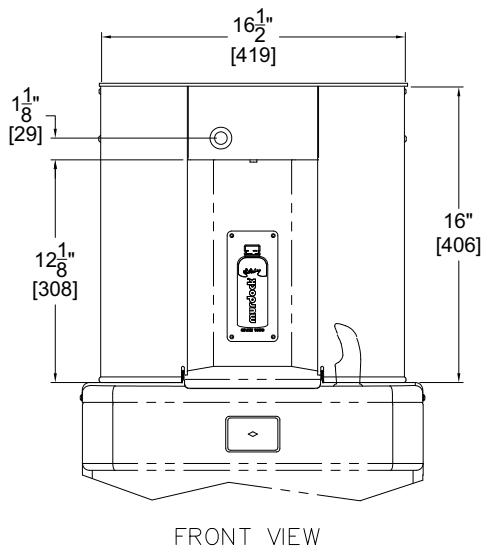
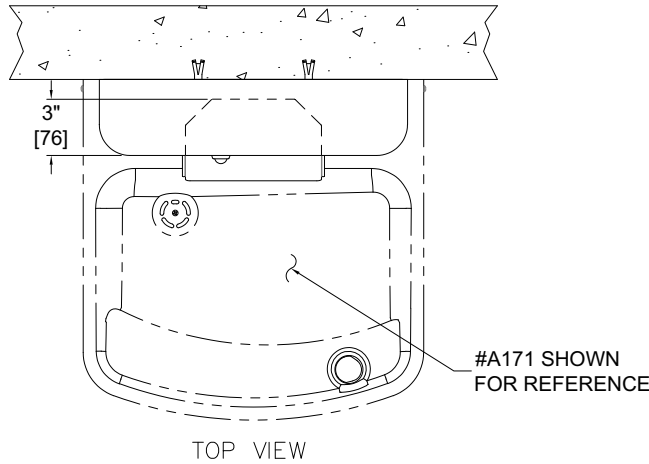


# BOTTLE FILLER

## BF1S Series

MODEL: BF1S

HEAVY DUTY PUSHBUTTON OPERATED  
BOTTLE FILLER



GENERAL NOTES:  
1. ALL DIMENSIONS ARE IN INCHES (MM)

Murdock Mfg.™ warrants that its products are free from defects in material or workmanship under normal use and service for a period of one year from date of shipment. Murdock's liability under this warranty shall be discharged solely by replacement or repair of defective material, provided Murdock™ is notified in writing within one year from date of shipment, F.O.B. Industry, California.

SELECTION SUMMARY & APPROVAL FOR MANUFACTURING	Model Number & Options _____	Quantity _____	All dimensions are subject to manufactures tolerance of plus or minus 1/2" nominal and subject to change without notice. Murdock assumes no responsibility for use of void or superseded data. Dimensions may change with the addition of optional accessories. Murdock Mfg.™, Member of Morris Group International™. Please visit <a href="http://www.murdockmfg.com">www.murdockmfg.com</a> for most current specifications.	
	Company _____			
	Contact _____	Title _____		
	Signature (Approval for Manufacturing) _____			Date _____

MURDOCK MFG. • 15125 Proctor Avenue • City of Industry, CA 91746 USA  
Phone 800-453-7465 or 626-333-2543 • Fax 626-855-4860 • [www.murdockmfg.com](http://www.murdockmfg.com)

Member of MORRIS GROUP INTERNATIONAL