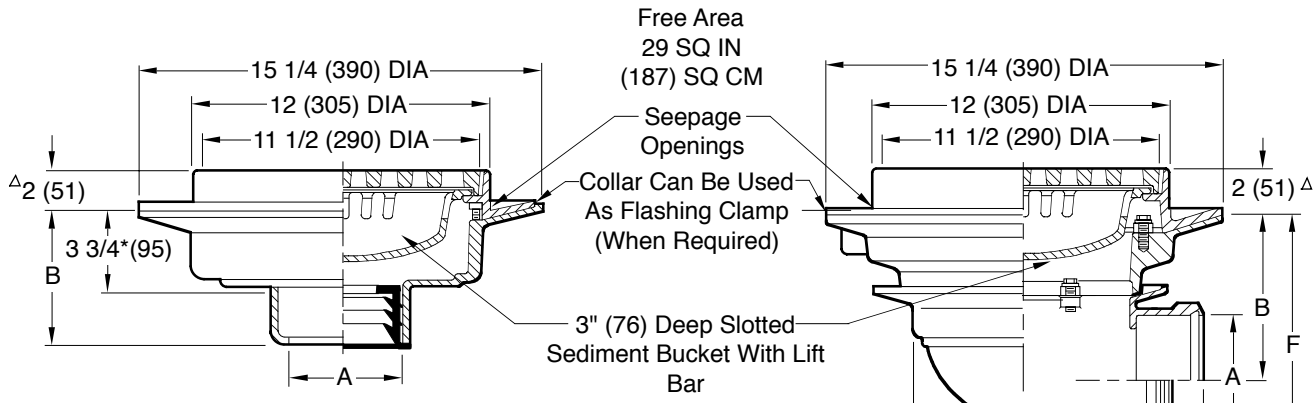


FLOOR DRAINS

HEAVY DUTY DRAINS - SEDIMENT BUCKET TRACTOR GRATE

Load Rating: Heavy Duty having a Safe Live (Static) Load between 5,000 lbs. (2,250 kg) and 7,499 lbs (3,375 kg) per ASME A112.6.3 Floor Drain Standard. For the specific Safe Live Load rating of any grate, contact the Smith representative or factory direct.



- Fig. 2233C . . . CAULK OUTLET
- Fig. 2233T . . . THREADED OUTLET
- Fig. 2233Y . . . NO-HUB OUTLET

A Size	B	
	Caulk, NO-HUB, & Speedi-Set	Threaded
02(50), 03(80), 04(100), 05(125) or 06(150)	5 (125)	3 3/4 (95)

- Fig. 2238C . . . CAULK OUTLET
- Fig. 2238T . . . THREADED OUTLET

A SIZE	02 (50)	03 (80)	04 (100)	05 (125)	06 (150)
B	6 7/8 (175)	6 3/8 (162)	5 7/8 (149)	5 (125)	4 1/2 (115)
C	4 3/4 (120)	4 3/4 (120)	4 3/4 (120)	6 1/4 (160)	6 1/4 (160)
D	6 (150)	6 (150)	6 (150)	6 5/8 (168)	6 7/8 (175)
E	7 1/4 (185)	7 1/2 (190)	7 3/4 (195)	7 3/4 (195)	7 3/4 (195)
F	8 5/8 (219)	8 3/4 (220)	8 3/4 (220)	8 1/2 (215)	8 1/2 (215)

REGULARLY FURNISHED:

Duco Cast Iron Body and Flashing Collar with Cast Iron Tractor Grate and Slotted Sediment Bucket.

*This Dimension to Internal Stop of Speedi-Set Gasket.

Δ Add 1/8"(3) when bronze top is specified

VARIATIONS:

- L Speedi-Set Service Weight 02(50), 03(75) & 04"(100) sizes only (Fig. 2233 only)
- LXH Speedi-Set Extra Heavy 02(50), 03(75) & 04"(100) sizes only (Fig. 2233 only)
- NO-HUB Adaptor (Specify Fig. 2646Y) (Fig. 2238 only)
- Square Top -S
- Trap Primer Connection -P050 1/2"(13) & -P075 3/4"(19) (Fig. 2233 only)
- Vandal Proof Grate -U
- Heel Proof Grate -Q45
- Quad Close Trap Seal (Specify Fig. 2692) (Fig. 2233 Only)

OPTIONAL MATERIALS:

- Ductile Iron Grate -M
- Galvanized Cast Iron -G
- Nickel Bronze Top -NB
- Polished Bronze Top -PB

NOTE: Fig. 2238 in 02(50), 03(80) & 04"(100) sizes require a transition collar (as shown in above illustration) which fits between the body & collar. 05(125) & 06"(150) sizes do not require transition collar.

NOTE: Dimensions shown in parentheses are in millimeters.

DRAWING NUMBER S2233
 SIZE A
 SCALE: NONE
 DATE: 5-17-85
 APPROVED BY: TD
 CHECKED BY: TD
 DRAWN BY: PJ

WE CAN ASSUME NO RESPONSIBILITY FOR USE OF SUPERSEDED OR VOID DATA
 DIMENSIONS ARE SUBJECT TO MANUFACTURERS TOLERANCE AND CHANGE WITHOUT NOTICE

2233, 2238

REV.	DATE	DESCRIPTION	BY	CKD. BY	WEIGHT POUNDS	VOLUME CUBIC FEET	FIGURE NUMBER
							2233, 2238