

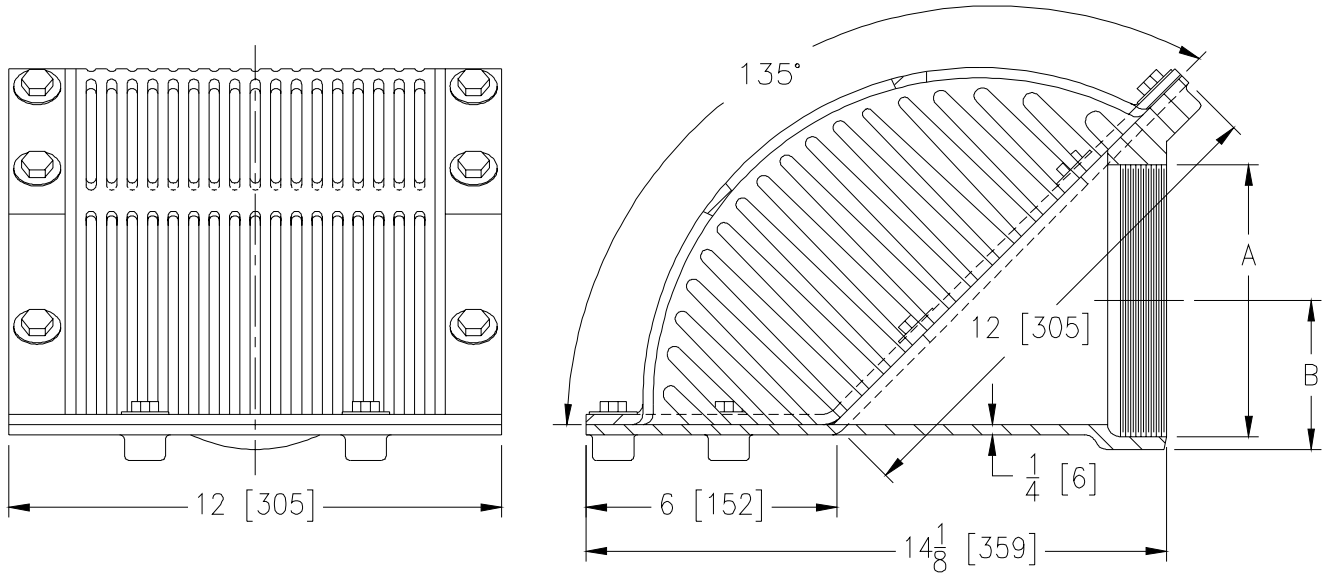


**Z160**  
**135° SCUPPER DRAIN**

SPECIFICATION SHEET

TAG \_\_\_\_\_

Dimensional Data (inches and [mm]) are Subject to Manufacturing Tolerances and Changes Without Notice



Dimensions in In		Approx. Wt. Lbs. [kg]	Grate Open Area Sq. In. [cm <sup>2</sup> ]
A - Pipe Size	B		
2 [51]	1 1/2 [38]	52 [23]	114 [735]
3 [76]	2 1/16 [52]		
4 [102]	29/16 [65]		
5 [127]	3 1/16 [78]		
6 [152]	3 5/8 [92]		

**ENGINEERING SPECIFICATION: ZURN ZRB160**  
135° Scupper drain, Dura-Coated cast iron body, plain bronze grate with integral membrane clamp.

**OPTIONS** (Check/specify appropriate options)

**PIPE SIZE**

2 thru 6 [51 thru 152]

(Specify size) **OUTLET**

\_\_\_ IP Threaded

**BODY HT. DIM.**

See Chart

**PREFIXES**

- \_\_\_ ZRB D.C.C.I. Body with Plain Grate\*
- \_\_\_ ZB D.C.C.I. Body with Polished Bronze Grate
- \_\_\_ ZN D.C.C.I. Body with Polished Nickel Bronze Grate

**SUFFIXES**

- \_\_\_ -DA Downspout Adapter
- \_\_\_ -G Galvanized Cast Iron

\*REGULARLY FURNISHED UNLESS OTHERWISE SPECIFIED

REV. C DATE: 8/9/05 C.N. NO. 92205

DWG. NO. 58826 PRODUCT NO. Z160

ZURN INDUSTRIES, INC. ♦ SPECIFICATION DRAINAGE OPERATION ♦ 1801 Pittsburgh Ave. ♦ Erie, PA 16514

Phone: 814/455-0921 ♦ Fax: 814/454-7929 ♦ World Wide Web: www.zurn.com

In Canada: ZURN INDUSTRIES LIMITED ♦ 3544 Nashua Drive ♦ Mississauga, Ontario L4V1L2 ♦ Phone: 905/405-8272 Fax: 905/405-1292