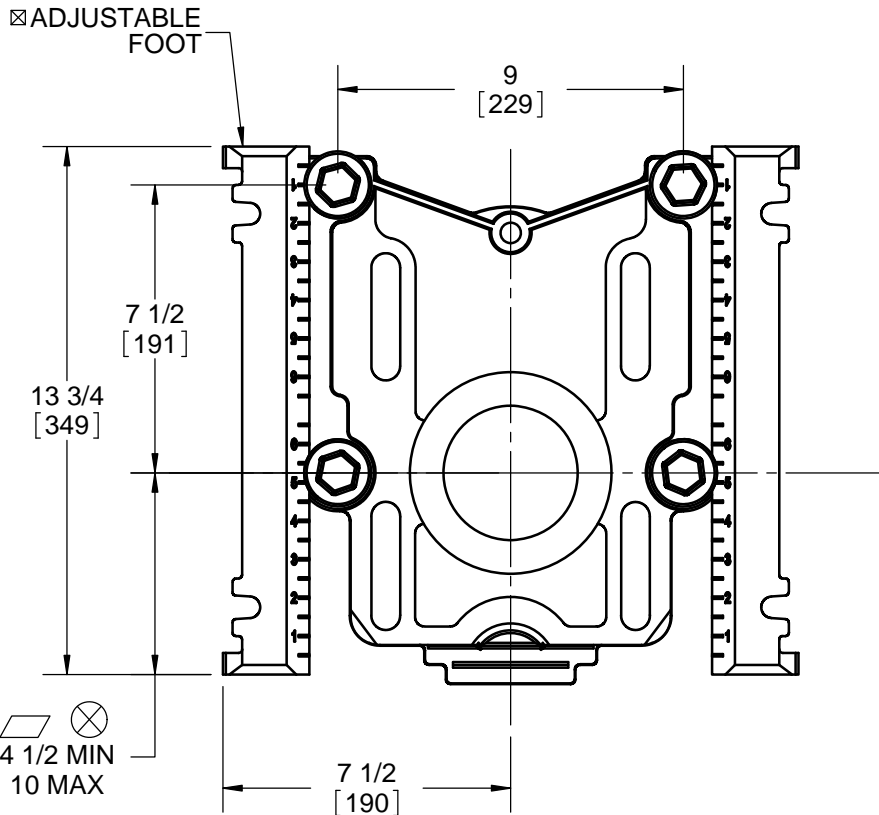
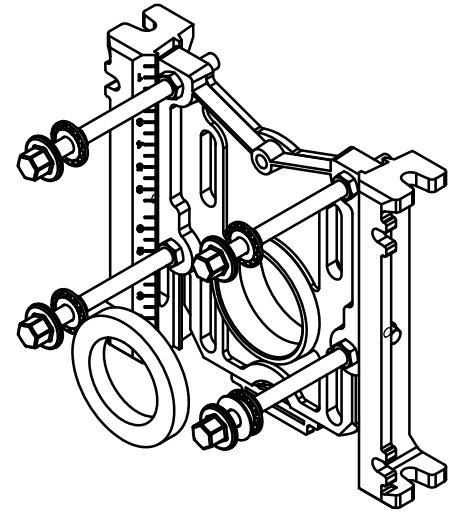
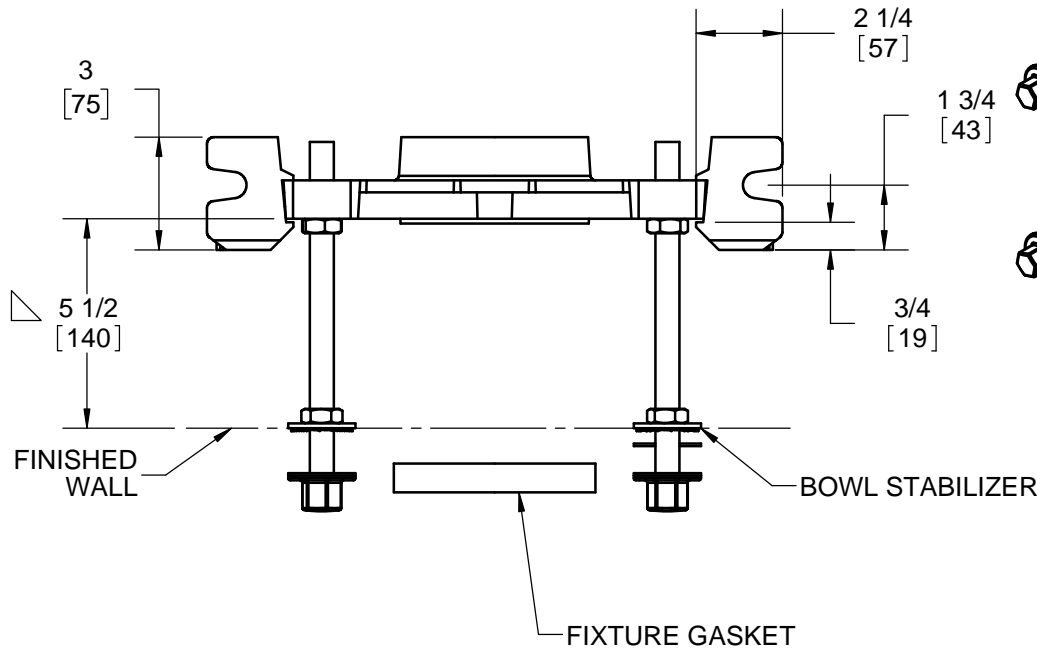


SPECIFICATION:

JOSAM 12000-PR SERIES COATED CAST IRON ADJUSTABLE CARRIER BODY, INVERTIBLE FOR SIPHON JET OR BLOWOUT CLOSETS, PYLON FEET, ANCHOR FOOT, PLATED HARDWARE AND NEOPRENE FIXTURE GASKET.

CLOSET CARRIER TRIM WITH PYLON FOOT

SERIES **12000-PR**



▽ FOR DIMENSION SHORTER THAN 5-1/2" (1" MIN) CUT EXTENSION. FOR LONGER EXTENSION (10-1/2" MAX) SPECIFY (-10).

☒ RECOMMEND FEET BE SECURED TO FLOOR WITH 1/2" BOLTS AND ANCHORS (BY OTHERS).

⊗ FOR SIPHON JET ROUGHING OVER 6" OR BLOWOUT ROUGHING OVER 12-1/2" SPECIFY ON ORDER.

SIPHON JET DIMS SHOWN. FOR BLOWOUT DIMS, USE:

□ MIN 2" & MAX 4"

▱ MIN 11" & MAX 16 1/2"

WARNING: Cancer and Reproductive Harm - www.P65Warnings.ca.gov

DATE OF LAST CHANGE: 5/25/18

DIMENSIONS ARE SUBJECT TO MANUFACTURERS TOLERANCES AND CHANGE WITHOUT NOTICE. WE CAN ASSUME NO RESPONSIBILITY FOR USE OF SUPERSEDED OR VOID DATA.



NOTES