

SPECIFICATION:

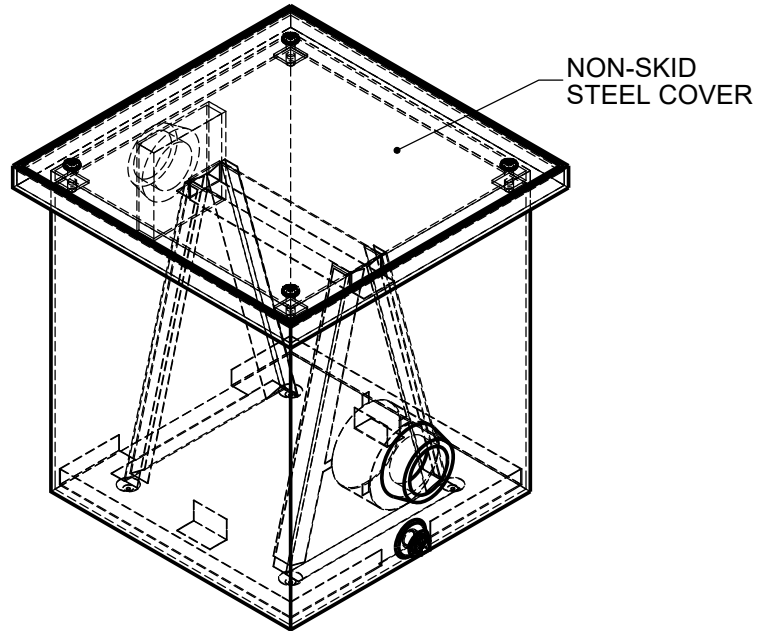
JOSAM SERIES 61040A STEEL SOLID INTERCEPTOR, TOP ACCESS ON FLOOR TYPE WITH ACID RESISTING COATING, THREADED CONNECTIONS, LOW INLET AND HIGH OUTLET, GASKETED NON-SKID COVER, REMOVABLE GALVANIZED STEEL BASKET WITH STAINLESS STEEL SCREENS.

SOLIDS INTERCEPTOR

TOP ACCESS ON-FLOOR TRAP

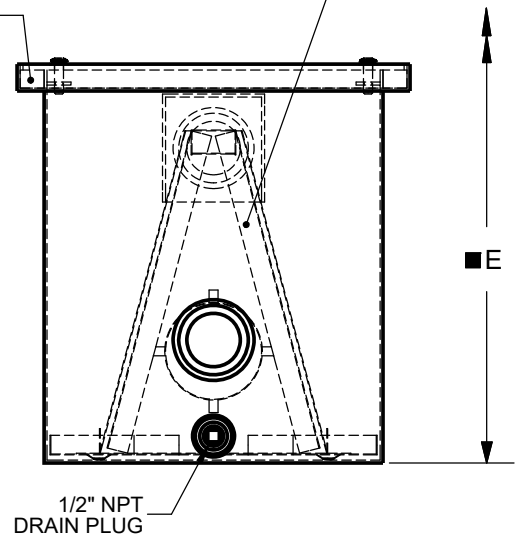
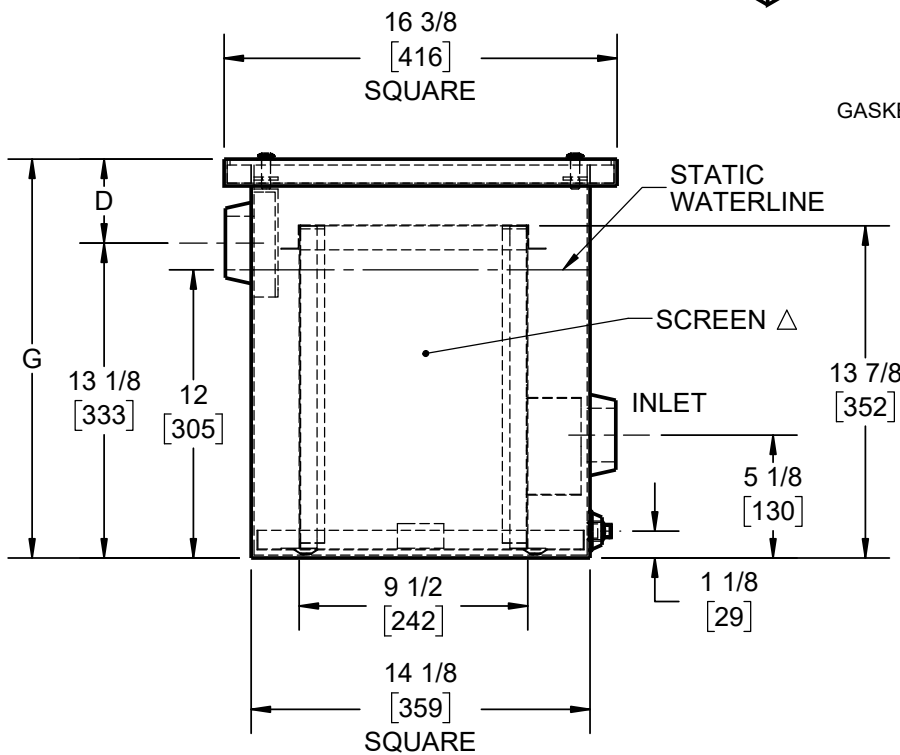
SERIES **61040A**

FORMERLY 61040 SERIES



NON-SKID STEEL COVER

REMOVABLE GALVANIZED BASKET



■ MINIMUM HEIGHT REQUIRED FOR REMOVAL OF SOLIDS BASKET. IF "-EXT" OPTION IS SUPPLIED, ADD EXTENSION HEIGHT TO THIS DIMENSION.

Δ REMOVABLE STAINLESS STEEL WIRE SCREEN - 40 x 40 MESH WITH .015" OPENINGS

	TYPE	PIPE SIZE	DIM. "D"	DIM. "G"	DIM. "E"
	61042A	2	3-1/2	16-5/8	31
	61043A	3	3-1/2	16-5/8	31
	61044A	4	5-1/2	18-5/8	33

	-15	STAINLESS STEEL BASKET
	-EXT	EXTENSION (SPECIFY "D" ON ORDER)
	-16	MONEL SCREENS
	-SS	STAINLESS STEEL INTERCEPTOR

WARNING: Cancer and Reproductive Harm - www.P65Warnings.ca.gov

DATE OF LAST CHANGE: 02/26/19

DIMENSIONS ARE SUBJECT TO MANUFACTURERS TOLERANCES AND CHANGE WITHOUT NOTICE. WE CAN ASSUME NO RESPONSIBILITY FOR USE OF SUPERSEDED OR VOID DATA.

JOSAM
MICHIGAN CITY, INDIANA

NOTES