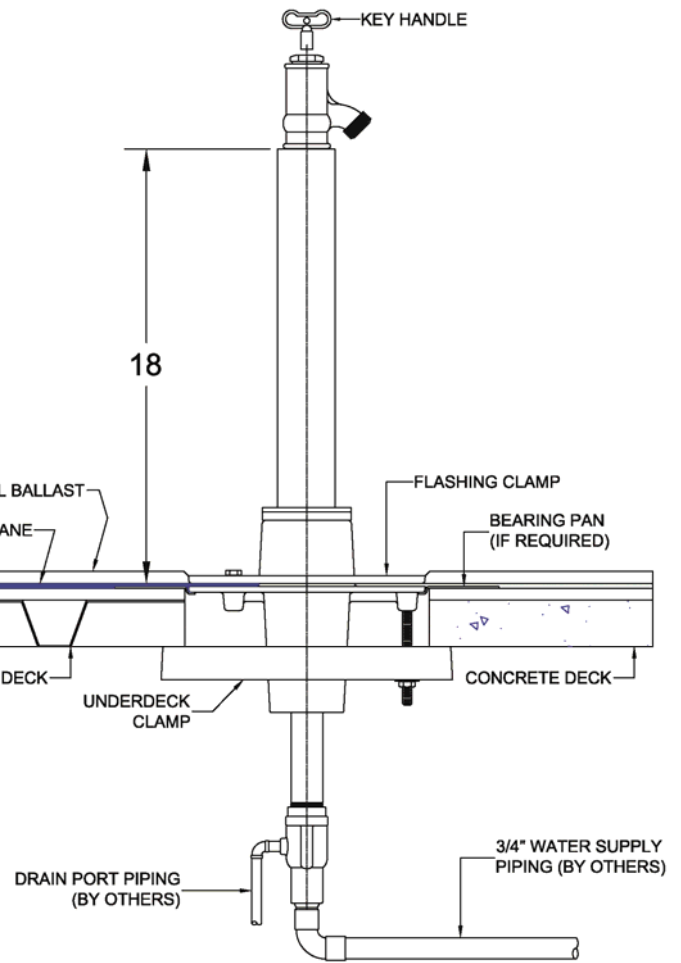
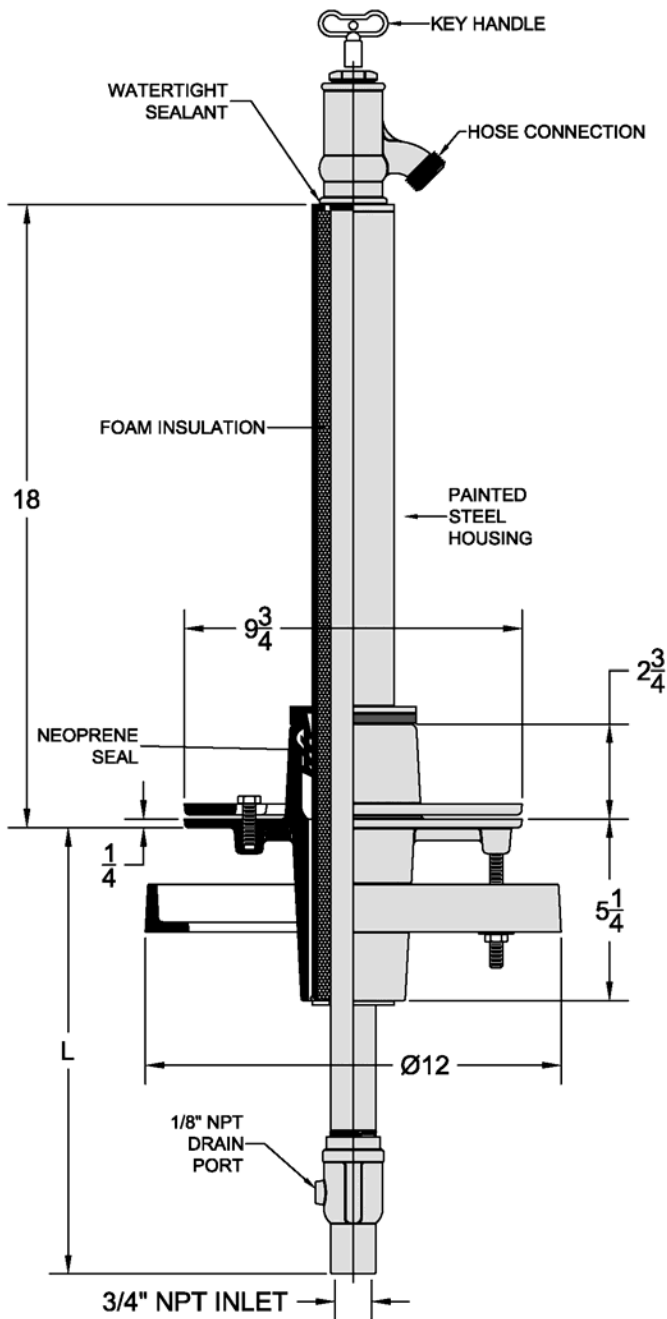


### 8900-R Roof Hydrant (Replaces 8610)

Project	Engineer	Mechanical
---------	----------	------------



**Regularly Furnished:** Non-freeze post roof hydrant with painted steel protective housing, bronze head, bronze valve and brass internal operating parts.

Length 'L'	3/4"
2'	
3'	
4'	

Suffix Options		
Suffix	Description	•
-WK14	Repair Kit (Less Rod) - 3/4"	
-52	Bearing Pan (Sump Receiver)	
-53	Under Deck Clamp	
-89	Vacuum Breaker (3/4" Only) *	
-131	Wheel Handle *	

\*Dimensions vary from illustration