

**SPECIFICATION:**

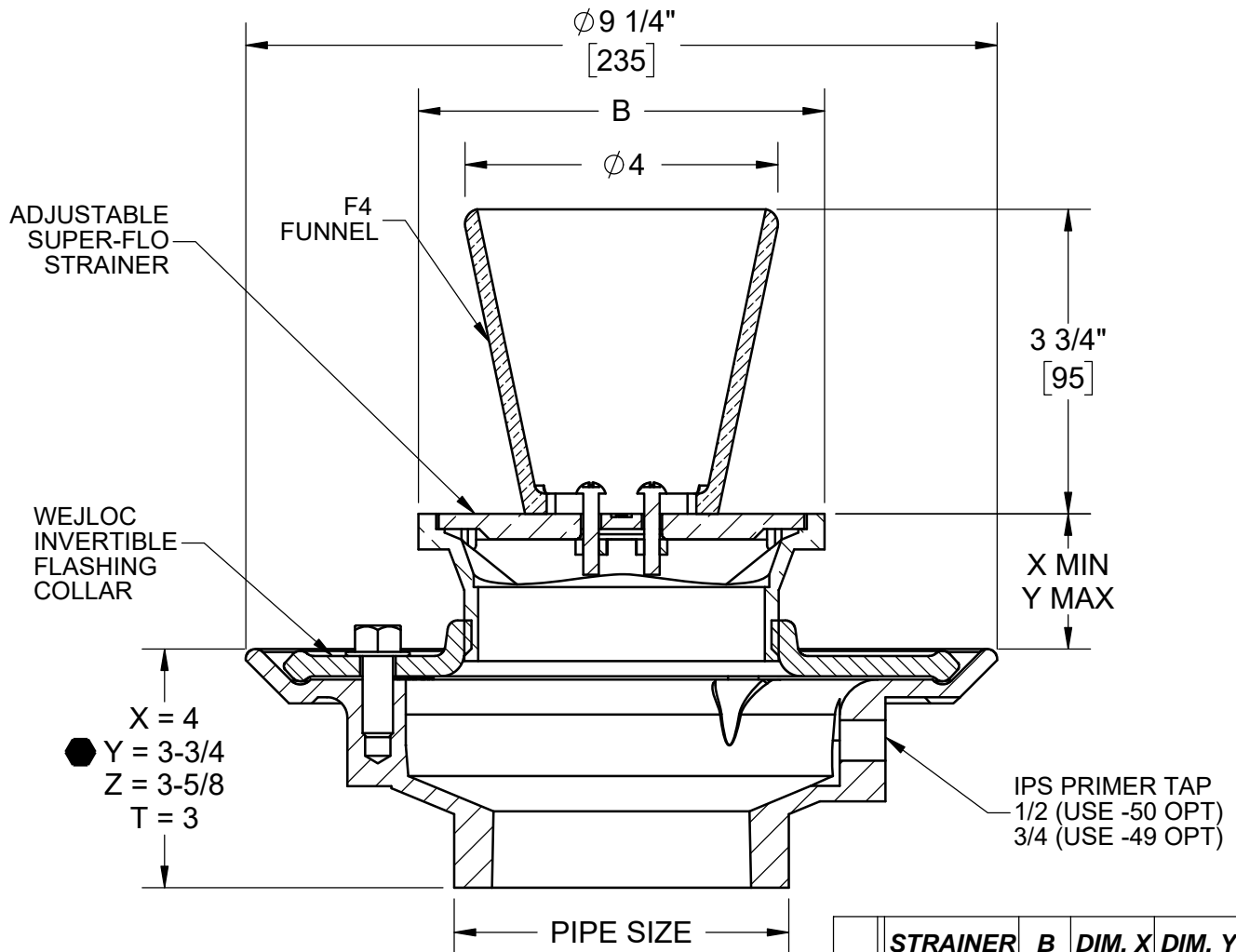
JOSAM 30000-S-F4 SERIES COATED CAST IRON FLOOR DRAIN, TWO PIECE BODY WITH DOUBLE DRAINAGE FLANGE, WEJLOC® INVERTIBLE NON-PUNCTURING FLASHING COLLAR, WEEPHOLES, BOTTOM OUTLET CONNECTION, ROUND FUNNEL ATTACHED, & NIKALOY ADJUSTABLE SQUARE SUPER-FLO® STRAINER.

**FLOOR DRAIN  
ADJUSTABLE FLOOR DRAIN  
AND FUNNEL**

SERIES **30000-S-F4**

● GASKET ON -Y CONNECTION CONFORMS WITH ASTM-C564

SLOT WIDTH 1/4"



	STRAINER	B	DIM. X	DIM. Y	FREE AREA
	-5S	5	7/8	1-7/8	9.1
	-6S	6	7/8	2-1/4	13.8
	-8S	8	1-1/4	2-1/2	24.5

▼ SEPERATE SUBMITTAL FOR THIS OPTION AVAILABLE

	2"	PIPE SIZE		-93	CAST IRON FUNNEL
	3"	PIPE SIZE		-SS	STAINLESS STEEL
	4"	PIPE SIZE		-2	BRONZE ADJUSTABLE STRAINER & FUNNEL
				-80	PERFORATED STAINLESS STEEL BASKET
	-TSO	THREADED SIDE OUTLET		-CP	CHROME PLATED STRAINER ( 5A & 6A )
▼	-ST	WITH SHALLOW TRAP ( 2" & 3" ONLY )		-VP	SECURED GRATE, VANDAL-PROOF SCREWS
▼	-PD	PRISON DRAIN ( 2" & 3" ONLY )			
▼	-ARE	ACID RESISTING EPOXY		-T	THREADED OUTLET
	-49	3/4 PRIMER TAP		-X	INSIDE CAULK OUTLET
	-91	ROUGH BRONZE BODY		-Y	HUB OUTLET WITH GASKET
	-92	GALVANIZED CAST IRON PARTS		-Z	NO-HUB SPIGOT OUTLET

DATE OF LAST CHANGE: 07/25/18

DIMENSIONS ARE SUBJECT TO MANUFACTURERS TOLERANCES AND CHANGE WITHOUT NOTICE. WE CAN ASSUME NO RESPONSIBILITY FOR USE OF SUPERSEDED OR VOID DATA.

**JOSAM**  
MICHIGAN CITY, INDIANA

NOTES