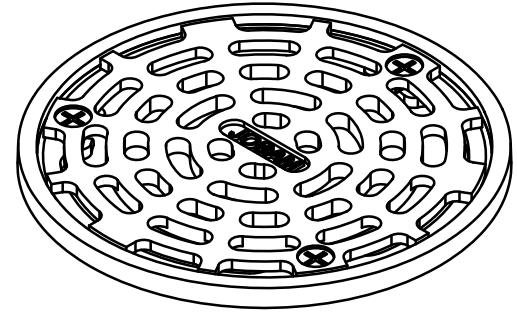
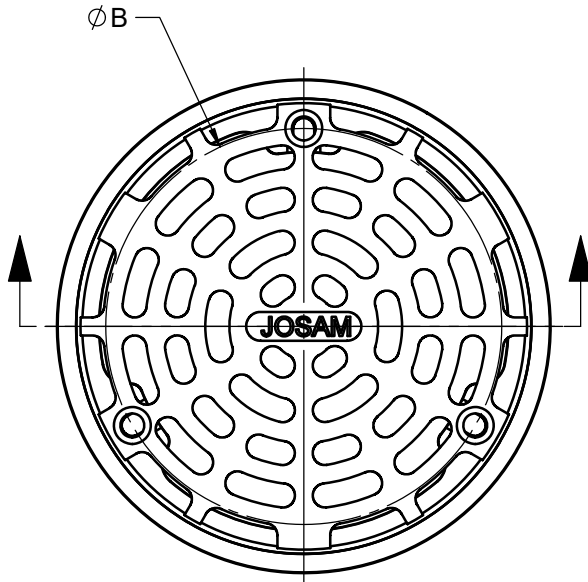


SPECIFICATION:

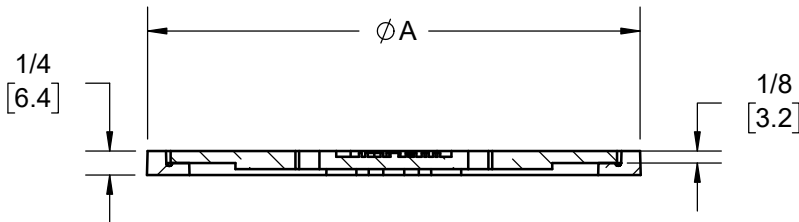
JOSAM SERIES NBRG NICKEL-BRONZE 1/4" RIM AND GRATE EXTENSION. 1/4" SLOT WIDTH MEETS ADA AND HEEL PROOF REQUIREMENTS.

FLOOR DRAIN
1/4" RIM AND GRATE EXTENSION

SERIES **NBRG**



	MODEL	A	B	EXTRA RIM PART NO.
	5A-NBRG	5"	4-1/8"	5ANBR
	6A-NBRG	6"	4-7/8"	6ANBR



- REMOVE SCREWS AND GRATE
- SET AND ORIENT NEW RIM AND GRATE
- SECURE WITH NEW SCREWS

REPLACE EXISTING SCREWS (BY OTHERS)

NEW GRATE

NEW 1/4" EXTENSION RIM

EXISTING STRAINER BODY

NOTES:

USE 10-24 x 3/4" SCREWS FOR ONE NEW RIM

ADD 1/4" TO SCREW LENGTH FOR EACH ADDITIONAL RIM INSTALLED

WARNING: Cancer and Reproductive Harm - www.P65Warnings.ca.gov

DATE OF LAST CHANGE: 07/11/18

DIMENSIONS ARE SUBJECT TO MANUFACTURERS TOLERANCES AND CHANGE WITHOUT NOTICE. WE CAN ASSUME NO RESPONSIBILITY FOR USE OF SUPERSEDED OR VOID DATA.

JOSAM

MICHIGAN CITY, INDIANA

NOTES