

FIRESTOP™ MINI ICE MAKER/GAS BOX

DESIGN FEATURES

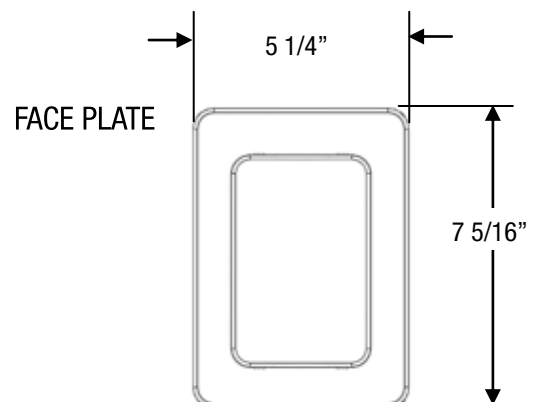
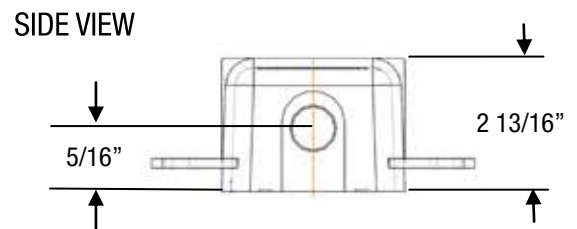
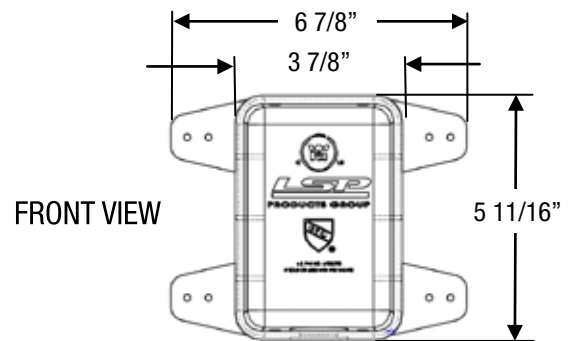
- Rounded corners and compact size
- 1 hour and 2 hour fire rated
- ¼" thick intumescent pad to seal the wall penetration for fire protection
- Deep faceplate accepts up to two sheets of 5/8" drywall
- Super durable box constructed of fire resistant PVC
- Mounts on side of stud and can be installed upside down, vertically, or horizontally.
- Valves with Hammer arresters do not need an access panel and can be installed in any direction
- Lead Free EZ-Turn Quarter Ball Valve includes long lasting O-rings and PTFE seats and durable brass resists cracking/corrosion and allows for fingertip control of water flow

COMPLIANCES/LISTINGS

- Intertek listed for 1hr and 2hr walls. File number WN 16958 to standards:
 - ASTM E814
 - CAN/ULC S115
- IM Valve:
 - IAPMO listed to ASME A112.18.1/CSA 125.1, file 4577
 - IAPMO listed to NSF/ANSI 61, file N-6614
 - IAPMO listed to Lead Free Plumbing Law, file 6545
 - Valves with Hammer Arresters IAPMO listed to IGC 168 and ASSE 1010, file 4393
- Outlet Box:
 - IAPMO listed to IAPMO PS 54, file 0901
- Gas Valves: See Gas Valve Spec Sheet



DIMENSIONS



Content matter is subject to change at any time. It is the user's responsibility to ensure the most updated revisions are obtained. Rev C 3/2021



Legacy of **INNOVATION**

Specialty Products™

Part Number	Description	Master CTN QTY
WITHOUT VALVE		
OBFS-8000	White, No Valves	10
WITH COPPER SWEAT VALVE		
OBFS-8010-LL	White, 1/2" Copper Sweat x 1/4" Compression	10
OBFS-8110-LL	White, 1/2" Copper Sweat x 1/4" Compression w/Hammer Arrester	10
WITH CPVC VALVE		
OBFS-8020-LL	White, 1/2" CPVC x 1/4" Compression	10
OBFS-8120-LL	White, 1/2" CPVC x 1/4" Compression w/Hammer Arrester	10
WITH CRIMP PEX VALVE		
OBFS-8030-LL	White, 1/2" PEX x 1/4" Compression	10
OBFS-8130-LL	White, 1/2" PEX x 1/4" Compression w/Hammer Arrester	10
WITH UPONOR ProPEX® VALVE		
OBFS-8040-LL	White, 1/2" UPONOR ProPEX® x 1/4" Compression	10
OBFS-8140-LL	White, 1/2" UPONOR ProPEX® x 1/4" Compression w/Hammer Arrester	10
WITH VIEGA VALVE		
OBFS-8070-LL	White, 1/2" Viega x 1/4" Compression	10

Add "-T" to the end of the part number for Tract Pack (faceplates packaged separately)

Part Number	Inlet	Outlet	Master CTN QTY
GAS OUTLET BOX			
GSFS-101	1/2" MIP	1/2" FIP	10
GSFS-201	3/4" MIP	3/4" FIP	10
FOR CORRUGATED STAINLESS STEEL TUBING (CSST)*			
GSFS-101-FX	1/2" MIP	1/2" FIP	10

Add "-GP" to the end of the part number for Gas Pack (faceplates packaged separately)

* Adapter Sold Separately

WORKING SPECIFICATIONS

- Ice Maker Valves
 - Working Temperature 40°-160°F
 - Working Pressure 20-125 PSI
- Gas Valves: See Gas Valve Spec Sheet

Product Submittal	
Job Name:	Date:
Part Number:	Quantity:
Architect:	
Contractor:	

Content matter is subject to change at any time. It is the user's responsibility to ensure the most updated revisions are obtained. Rev C 3/2021