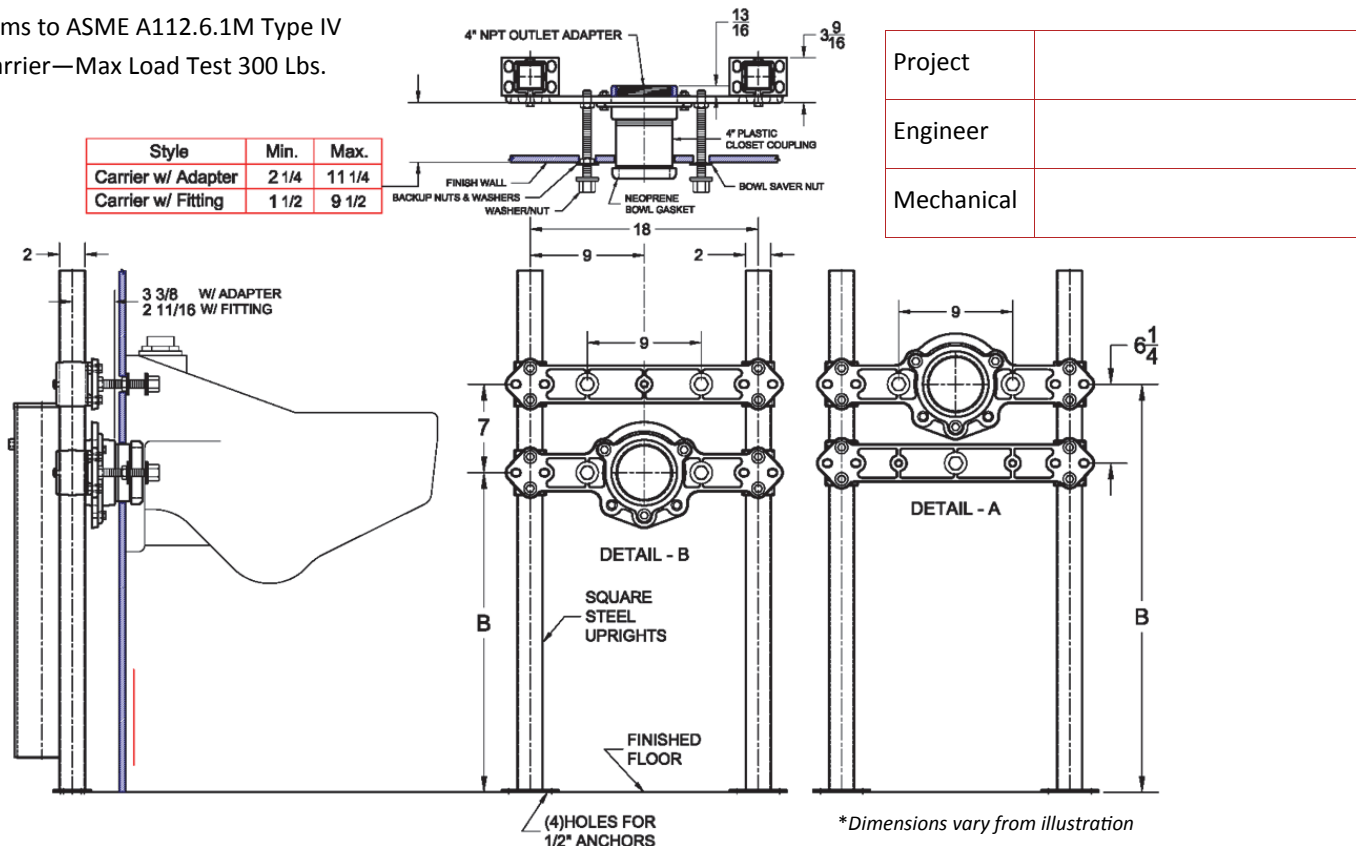


## 640 Clinical Sink / Urinal Carrier

**Regularly Furnished:** Clinical sink / urinal carrier with rectangular uprights & rectangular base feet.

Conforms to ASME A112.6.1M Type IV  
Sink Carrier—Max Load Test 300 Lbs.



Style	Min.	Max.
Carrier w/ Adapter	2 1/4	11 1/4
Carrier w/ Fitting	1 1/2	9 1/2

Project	
Engineer	
Mechanical	

Model	Configuration	Suffix Options		
		Suffix	Description	
640-T44	4" NPT Outlet (Fitting by Others)	-AM1	Flush Valve Support*	
640-N42	w/ On Stack No-Hub Fitting (4" Waste 2" Vent)	-AM21	Tiling Frame	
640-N44	w/ On Stack No-Hub Fitting (4" Waste 4" Vent)	-ECC	Extended Coupling & Hardware (Per Inch)	
640-C44	w/ On Stack Hub & Spigot Fitting (4" Waste 4" Vent)	-M3	Vandal Proof Finish Hardware	
640-NR42	w/ Offset No-Hub Fitting (RH) 4" Waste 2" Vent	-M18	Extra Long Uprights	
640-NL42	w/ Offset No-Hub Fitting (LH) 4" Waste 2" Vent	-JJ	Dual 2" Auxiliary Inlets (w/ Fitting)	
640-CR42	w/ Offset Hub & Spigot Fitting (RH) 4" Waste 2" Vent	-JL	2" Left Hand Auxiliary Inlet (w/ Fitting)	
640-CL42	w/ Offset Hub & Spigot Fitting (LH) 4" Waste 2" Vent	-JR	2" Right Hand Auxiliary Inlet (w/ Fitting)	

