

Classic Series

MODEL M-C76C OLD STYLE DRINKING FOUNTAIN WITH BOWL ON PEDESTAL

STANDARD FEATURES

Model M-C76C is a drinking fountain of Victorian-era design. This unit has one pedestal mounted bowl. The fountain includes a polished, cast brass bowl and a stainless steel bubbler operated by separate stainless steel pushbutton control. Standard model is seasonal, not freeze resistant and includes a protective, high gloss, black enamel finish. Heavy-duty cast iron construction with cast brass bowl ensures trouble-free reliability. Field-serviceable components are easily accessible.

SUGGESTED SPECIFICATIONS

Drinking fountain shall be Murdock model M-C76C. Unit shall be furnished with one fountain bowl mounted on the pedestal.

Pedestal shall be a heavy duty iron casting and base of pedestal shall have four mounting holes. Pedestal shall be finished with a heavy grade of oil-based black enamel.

Bowl shall be round, solid brass casting. Unit shall be activated by self-closing pushbutton, needing less than 5 pounds of force, which activates an internally mounted valve with adjustable stream regulator controlling the water flow. Bubbler shall be stainless steel and operate on a water pressure range of 30 - 105 psig. All solid brass castings shall conform to ASTM standards B61 and B62. Unit shall conform to ANSI/NSF 61-9, and Public Law 111-380.



Standard Model: M-C76C

OPTIONS

(additional costs may be incurred)

- FRU1 Underground freeze-resistant valve for one bowl ¹
- Chrome plated cast brass bowl
- Powder-coated cast brass bowl
- Chrome plated bubbler
- **Black** Pedestal color black
- **Green** Pedestal color green

Options Notes:

¹ See separate option sheet.

² This option is not available freeze-resistant.

Custom color finishes available upon request.

Complies with the following standards:



Federal Public Law 111-380 (No Lead)



Member of
U.S. Green
Building
Council



Recyclable
Product



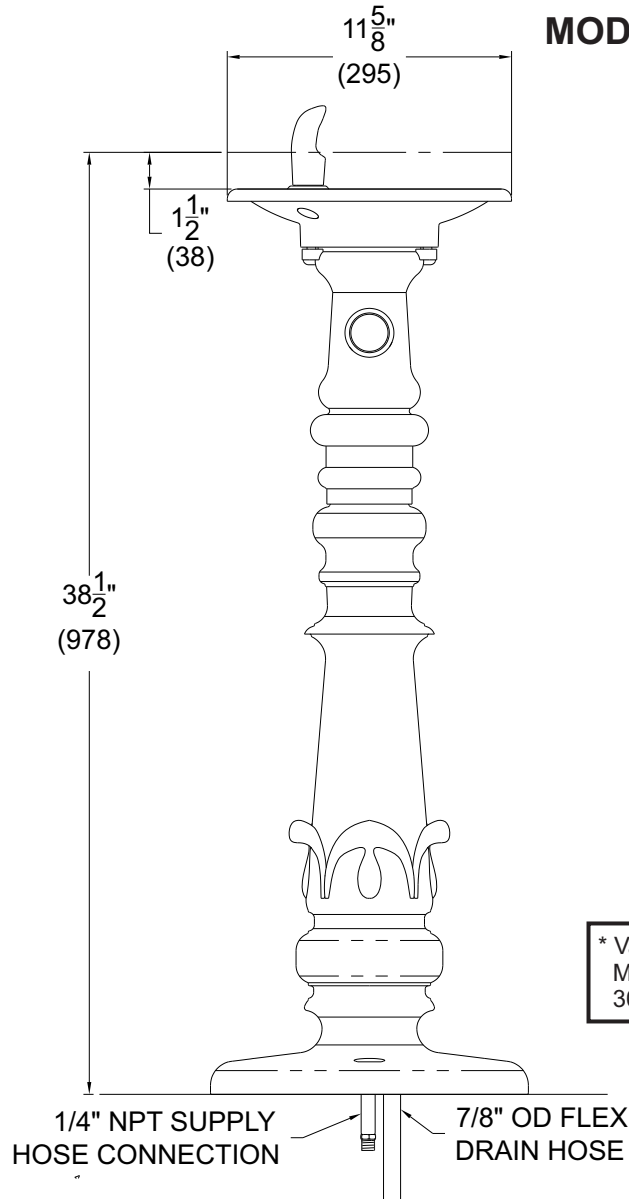
Water
Conserving
Product

WARNING: Cancer and Reproductive Harm - www.P65Warnings.ca.gov



TRADITIONAL DRINKING FOUNTAINS

Classic Series MODEL M-C76C OLD STYLE DRINKING FOUNTAIN WITH BOWL ON PEDESTAL



* Valve specifications:
Minimum/Maximum Pressure
30 to 100 psi.

Murdock Mfg.™ warrants that its products are free from defects in material or workmanship under normal use and service for a period of one year from date of shipment. Murdock's liability under this warranty shall be discharged solely by replacement or repair of defective material, provided Murdock™ is notified in writing within one year from date of shipment, F.O.B. Industry, California.

SELECTION SUMMARY & APPROVAL FOR MANUFACTURING	Model Number & Options _____	Quantity _____	<p>All dimensions are subject to manufactures tolerance of plus or minus 1/2" nominal and subject to change without notice. Murdock assumes no responsibility for use of void or superseded data. Dimensions may change with the addition of optional accessories. Murdock Mfg.™, Member of Morris Group International™. Please visit www.murdockmfg.com for most current specifications.</p>
	Company _____		
	Contact _____	Title _____	
	Signature (Approval for Manufacturing) _____	Date _____	

MURDOCK MFG. • 15125 Proctor Avenue • City of Industry, CA 91746 USA
Phone 800-453-7465 or 626-333-2543 • Fax 626-855-4860 • www.murdockmfg.com

Member of
MORRIS GROUP
INTERNATIONAL