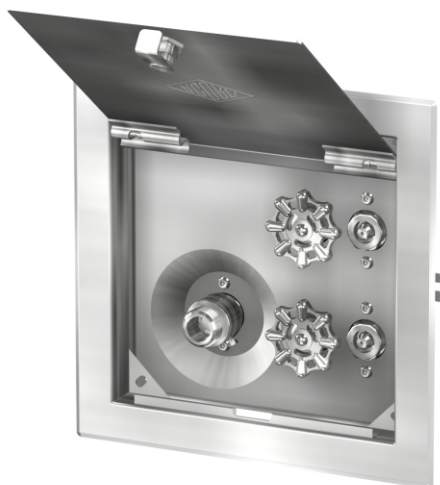




## Hose & Supply Boxes 8145 Series

Stainless Steel Recessed Hose Box with Wall Flange (Hot and Cold)



8156

Fixture May Show Some Available Options

Please visit [www.acorneng.com](http://www.acorneng.com) for most current specifications.

### Stainless Steel Recessed Hose Box with Wall Flange (Hot and Cold)

**These Acorn Stainless Steel Recessed Hose Boxes** are CUPC® certified by IAPMO for U.S. and Canada. Boxes are designed for attractive service in both interior and exterior walls not subject to freezing. Recessed design prevents accidents which are common to surface-mounted or protruding hose valves.

**Hose Box** is seamless construction, fabricated from 18 gage, type 304 stainless steel and is furnished with four stainless steel clips for anchoring to the wall construction. Wall flange is 16 gage stainless steel polished to a satin finish. Flange is furnished with four corner tappings and screws for anchoring to box.

**Door** is provided with Cam and Cylinder Lock with Key Lock and two keys. Hinges are concealed type. Door can be easily removed after opening by releasing hinge pins with a screwdriver.

**Valve and Stop Body** is cast bronze with exposed parts chrome-plated. Valve and Stop feature tamper-resistant lockshield bonnets and replaceable cartridges containing all wearing parts including the seat. The body casting is gasketed where it joins the box and is securely anchored with stainless steel tamper-resistant screws. Supply inlet is 3/4" NPT female. Outlet is 3/4" male hose thread.

**-SSLF** stainless steel lead free option provides a rough finish, cast stainless steel valve body, stainless steel stop assembly, stainless steel lockshield cartridge and meets the lead free requirements where the wetted surface of this product contacted by water contains less than 0.25% lead. On models that include vacuum breakers, a lead-free brass vacuum breaker is provided.

**Screwdriver Stop** in supply permits servicing the control valve without shutting down the water supply. Vacuum breaker models prevent contamination of the potable water supply. Vacuum breakers are atmospheric type and conform to the requirements of ASSE Standard 1011. Check local code authority for vacuum breaker requirements.

### GUIDE SPECIFICATION

Provide and install Acorn Recessed Hose Box model (specify model number) with Wall Flange. Box shall be fabricated from 18 gage, type 304 stainless steel with satin finish exterior. Flange shall be 16 gage stainless steel and be polished to a satin finish. Valve shall be cartridge-operated type with vandal-resistant lockshield, removable loose key wheel handle and screwdriver operated Stop. Door shall be 16 gage satin finish with removable hinge and Cylinder Lock.

**Hose & Supply Boxes 8145** Stainless Steel Recessed Hose Box with Wall Flange (Hot and Cold)



**BASE MODEL NUMBER (Must Specify)**

**HOSE BOX WITH WALL FLANGE LESS DOOR**

- 8145 Hot & Cold Less Vacuum Breaker
- 8146 Hot & Cold With Vacuum Breaker

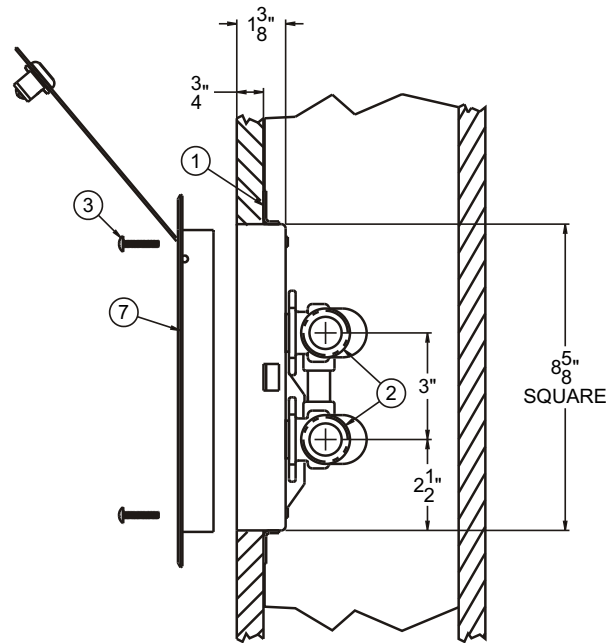
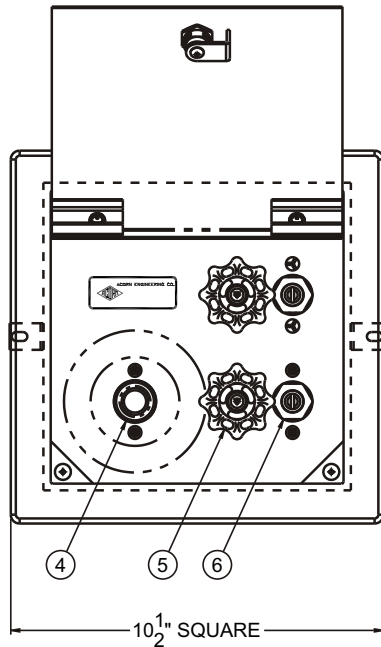
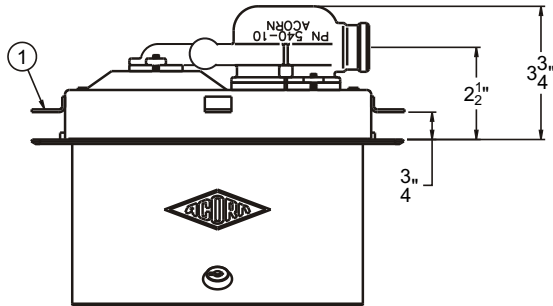
**HOSE BOX WITH WALL FLANGE AND DOOR**

- 8155 Hot & Cold Less Vacuum Breaker
- 8156 Hot & Cold With Vacuum Breaker

**PRODUCT OPTIONS (Must Specify)**

- SSLF Stainless Steel Lead Free

Please visit [www.acorneng.com](http://www.acorneng.com) for most current specifications.



MODEL #8155

**NOTES:**

- 1. ANCHOR CLIPS
- 2. 3/4" NPT FEMALE VALVE INLET CONNECTIONS
- 3. DOOR FRAME ANCHORING SCREWS
- 4. 3/4" MALE HOSE THREAD
- 5. REMOVABLE WHEEL HANDLE
- 6. LOCKSHIELD SCREWDRIVER STOP
- 7. DOOR FRAME

<p><b>Important:</b> Installation instructions and current rough-in are furnished with each fixture. Do not rough in without certified dimensions. Dimensions are subject to manufacturer's tolerance of plus or minus 1/4" and change without notice. Acorn assumes no responsibility for use of void or superseded data. © Copyright 2009 Acorn Engineering Company</p>	
<p style="text-align: center;">Selection Summary</p> <p>Model No. &amp; Option _____</p> <p>Quantity _____</p>	<p style="text-align: center;">Approved for Manufacturing</p> <p>Company _____ Title _____</p> <p>Signature _____ Date _____</p>