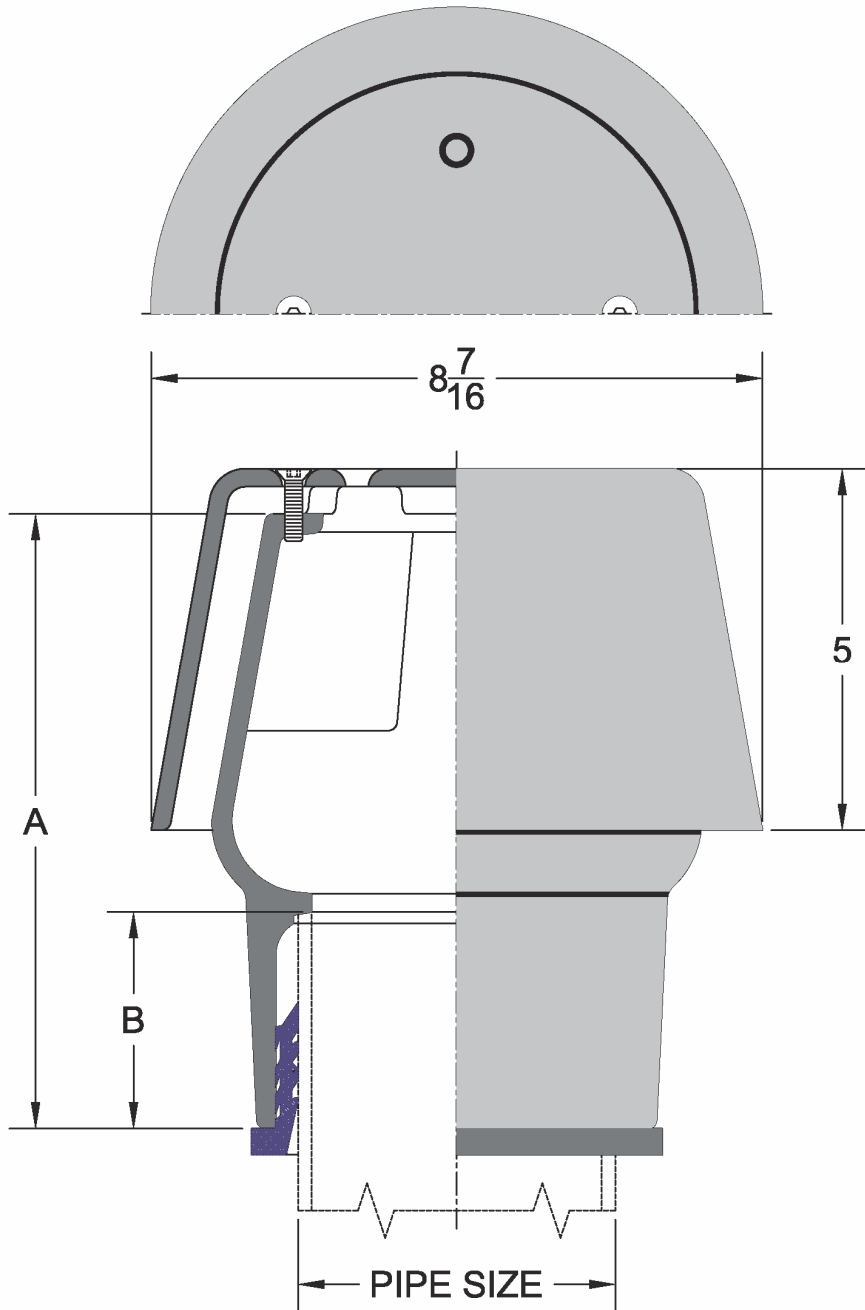


3690 Vent Cap

Project	
Engineer	
Mechanical	



Pipe Size	A	B	•
2"	7-5/8	2-1/2	
3"	8-3/8	2-3/4	
4"	9-1/8	3	

Regularly Furnished: Cast iron vent cap with hooded dome & vandal proof screws.

Outlet Variations		
Type	Designation	•
Push-On Gasket	2TY,3TY,4TY	
Slip Joint w/ Set Screws	2SJ,3SJ,4SJ	

Suffix Options		
Suffix	Description	•
-39	Galvanized Cast Iron	