

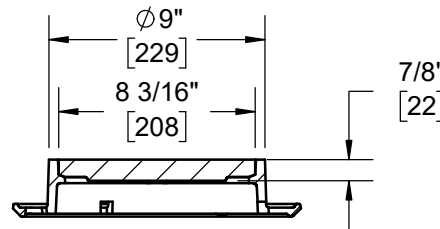
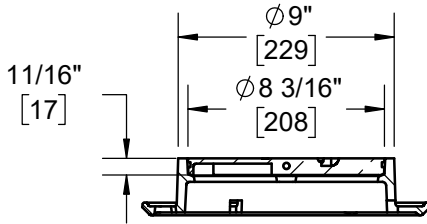
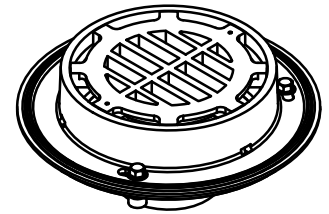
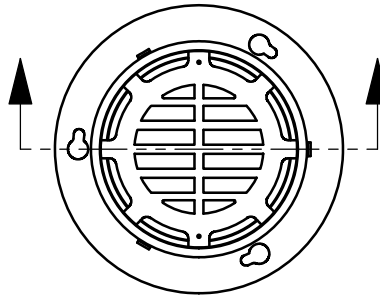
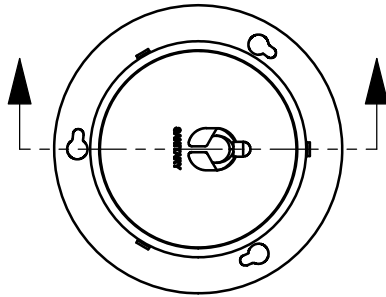
**SPECIFICATION:**

JOSAM 32150 SERIES COATED CAST IRON FLOOR DRAINS, TWO-PIECE BODIES WITH DOUBLE DRAINAGE FLANGE, WEEPHOLES, BOTTOM OUTLETS, 9" ROUND TOPS, ONE BODY FURNISHED WITH A SOLID BRONZE PLUG, OTHER BODY FURNISHED WITH AN EXTRA-HEAVY, ANTI-TILTING, SUPER-FLO® GRATE WITH PERIMETER DRAINAGE SLOTS.

**FLOOR DRAIN**  
9" ROUND TOP, BLOOD DRAIN

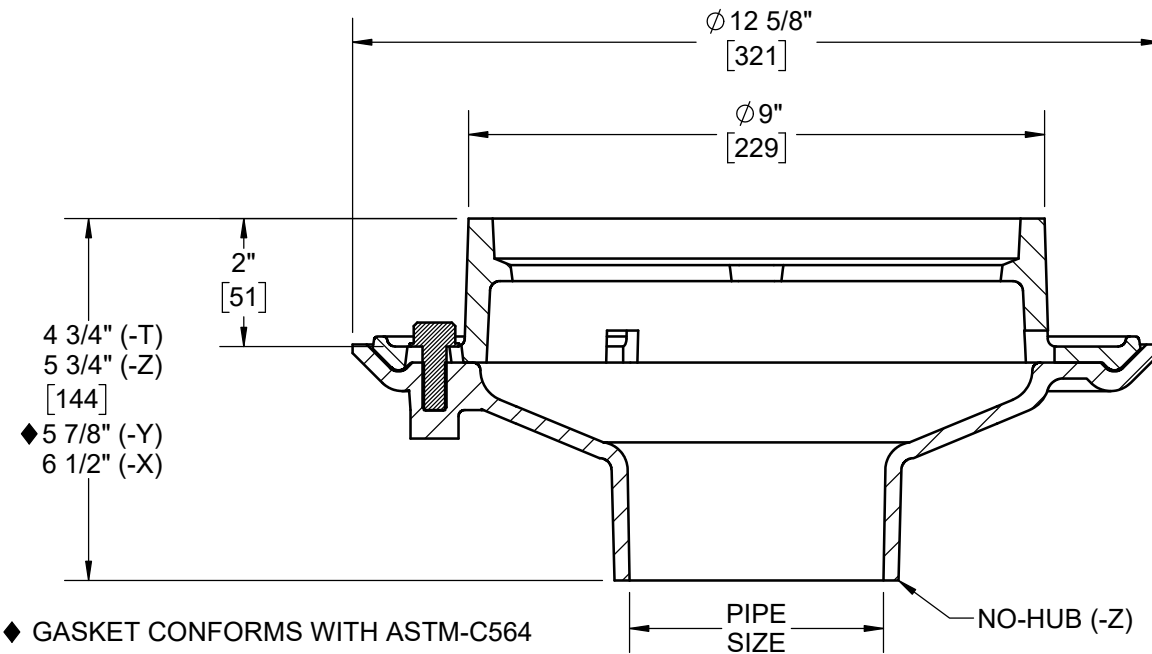
SERIES **32150**

FORMERLY 39150 SERIES



BODY WITH SOLID BRONZE GROUND JOINT PLUG WITH LIFT RING

BODY WITH EXTRA HEAVY CAST IRON GRATE



	PIPE SIZE
	2"
	3"
	4"

-1	SATIN FINISH NIKALOY TOP
-2	SATIN FINISH BRONZE TOP
-7	DUCTILE IRON GRATE
-44	FIXED EXTENSION, CAST IRON (3" STD. OR SPECIFY HEIGHT)
-44-92	FIXED EXTENSION, GALVANIZED (3" STD. OR SPECIFY HEIGHT)
-92	GALVANIZED CAST IRON PARTS
-TGI	TRAP GUARD INSERT

-ARE	ACID RESISTING EPOXY
-T	THREADED OUTLET
-X	INSIDE CAULK OUTLET
-Y	HUB OUTLET WITH GASKET
-Z	NO-HUB OUTLET

WARNING: Cancer and Reproductive Harm - www.P65Warnings.ca.gov

DATE OF LAST CHANGE: 05/18/18

DIMENSIONS ARE SUBJECT TO MANUFACTURERS TOLERANCES AND CHANGE WITHOUT NOTICE. WE CAN ASSUME NO RESPONSIBILITY FOR USE OF SUPERSEDED OR VOID DATA.

**JOSAM COMPANY**  
MICHIGAN CITY, INDIANA

NOTES