

Sentinel Mark II® Pressure Balance Shower Valve

MODELS:

- CPV-PB: Pressure Balance Shower Valve
Sweat & Thread Connections
- CPV-PB-PXC: Pressure Balance Shower Valve
PEX F1807 Crimp Inlet Connections
- CPV-PB-PXE: Pressure Balance Shower Valve
PEX F1960 Cold-Expansion Inlet Connections

FEATURES:

- Brass body construction
- Four port valve with sweat & thread, PXC or PXE inlet connections (depending on model), and sweat & thread shower and tub outlets
- Pressure balancing piston and temperature regulating ceramic cartridge with built-in check stops
- Adjustable temperature limit stop to control maximum temperature setting
- Integral stops allow water shut off for servicing valve
- Supports back-to-back installation
- Includes rough-in template and 1/2" pipe cap

TRIM OPTIONS:

- | | |
|--------------|---------------|
| • CPT-1000-P | • CPT-10000-P |
| • CPT-1001 | • CPT-24000 |
| • CPT-3001 | • CDCPT25001 |
| • CPT-7000-P | • CDCPT25003 |
| • CPT-8000-P | • CPT-27000 |
| • CPT-8001-P | |
| • CPT-12001 | |

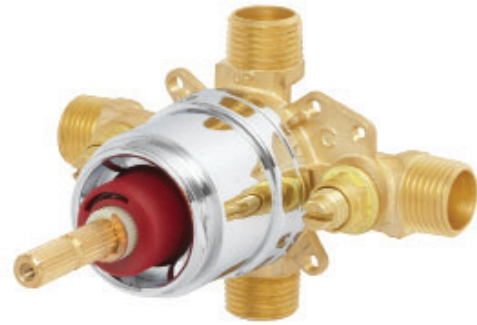
STANDARDS:

- ASME A112.18.1/CSA B125.1 certified
- ASSE 1016 certified
- Certified at 1.75gpm

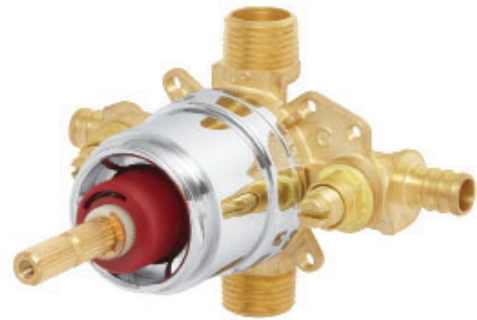
WARRANTY:

Visit speakman.com for full product warranty information

- 5 Year Limited Warranty (commercial)
- 5 Year Limited Warranty (residential)



CPV-PB



CPV-PB-PXC

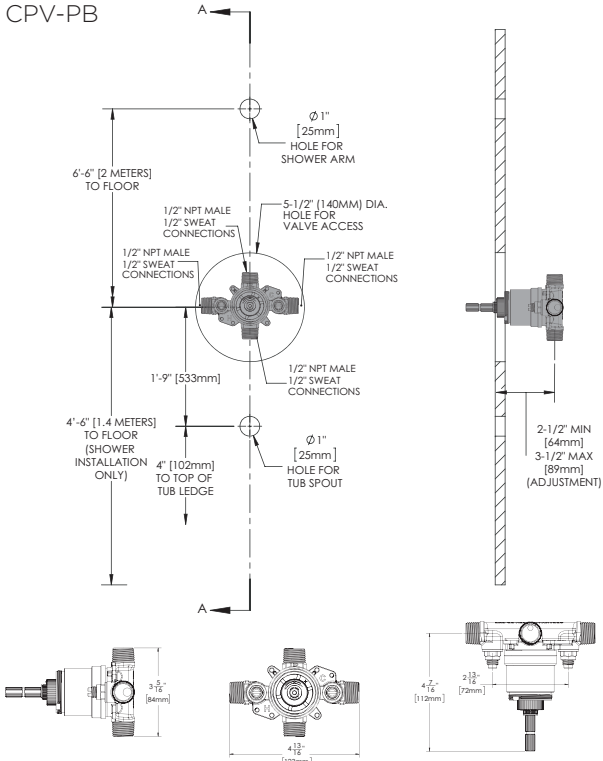


CPV-PB-PXE

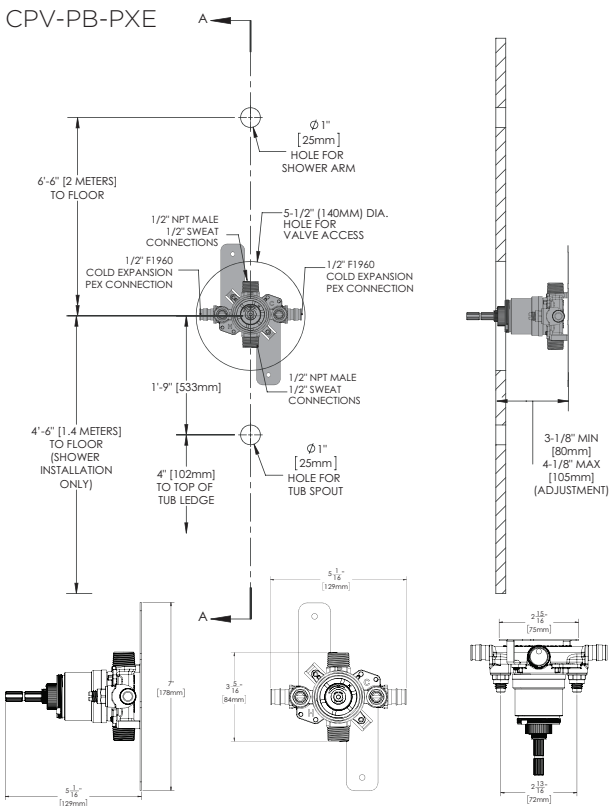
1. All dimensions are in inches (millimeters) unless otherwise specified and are subject to change without notice. 2. For ADA mounting locations, consult ADAAG, ANSI A117.1, and state regulations.

Sentinel Mark II® Pressure Balance Shower Valve

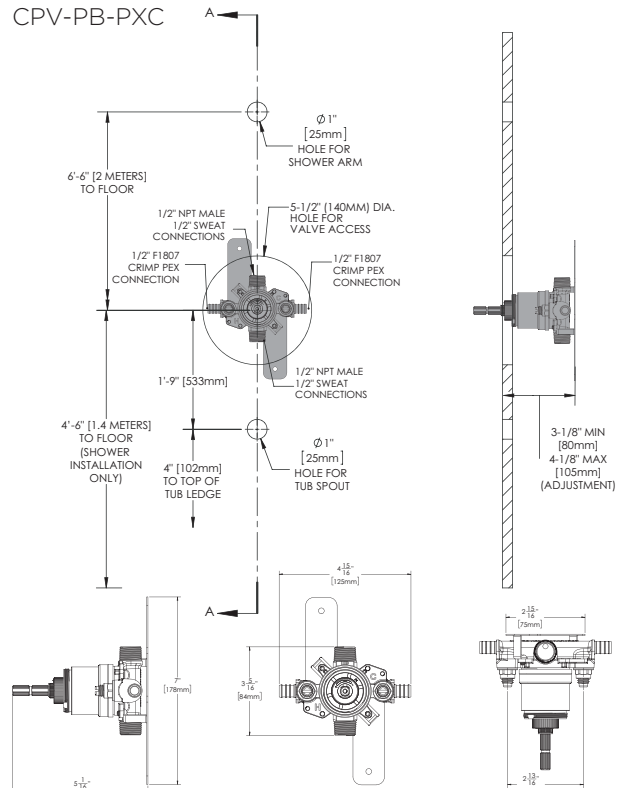
CPV-PB



CPV-PB-PXE



CPV-PB-PXC



1. All dimensions are in inches (millimeters) unless otherwise specified and are subject to change without notice. 2. For ADA mounting locations, consult ADAAG, ANSI A117.1, and state regulations.

Architect/Engineer Approval Space:

P: 800-537-2107
F: 800-977-2747

W: WWW.SPEAKMAN.COM
R: 04-FEBRUARY 2021