

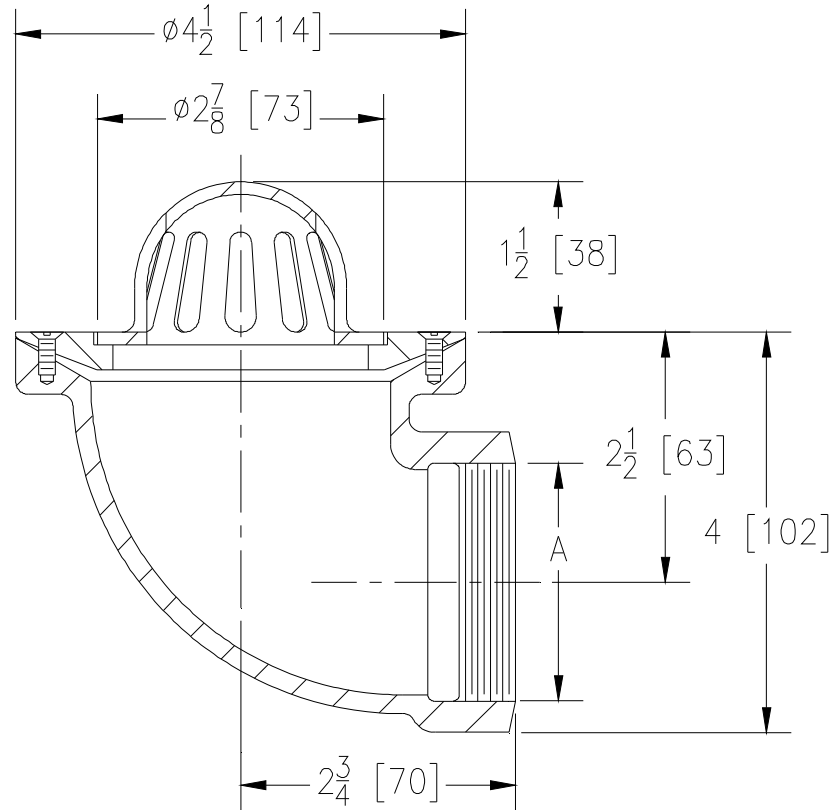


**Z182**  
**4-1/2 [114] DIAMETER CORNICE DRAIN**  
**90° OUTLET**

SPECIFICATION SHEET

TAG \_\_\_\_\_

Dimensional Data (inches and [mm]) are Subject to Manufacturing Tolerances and Changes Without Notice



A- Pipe Size In.	Approx. Wt. Lbs. [kg]	Dome Open Area Sq. In. [cm <sup>2</sup> ]
2 [51]	5 [2]	4.5 [29]

**ENGINEERING SPECIFICATION:** ZURN ZRB182 4-1/2 [114] Diameter Cornice drain, Dura-Coated cast iron 90° side outlet body, plain bronze dome and membrane flashing clamp.

**OPTIONS** (Check/specify appropriate options)

**PIPE SIZE** (Specify size/type) **OUTLET**  
 2 [51] \_\_\_\_\_ IP Threaded

- PREFIXES**
- \_\_\_\_\_ ZRB D.C.C.I. Body with Plain Bronze Dome\*
  - \_\_\_\_\_ ZB D.C.C.I. Body with Polished Bronze Dome
  - \_\_\_\_\_ ZN D.C.C.I. Body with Polished Nickel Bronze Dome

- SUFFIXES**
- \_\_\_\_\_ -FS Flat Strainer (ZB or ZN)
  - \_\_\_\_\_ -G Galvanized Cast Iron
  - \_\_\_\_\_ -HD 3 [76] High Dome
  - \_\_\_\_\_ -VP Vandal Proof Secured Top
  - \_\_\_\_\_ -45 45° Side Outlet Body

<b>REV. D</b>	<b>DATE: 10/21/10</b>	<b>C.N. NO. 111907</b>
<b>DWG. NO. 58830</b>	<b>PRODUCT NO. Z182</b>	

\*REGULARLY FURNISHED UNLESS OTHERWISE SPECIFIED