

**SPECIFICATION:**

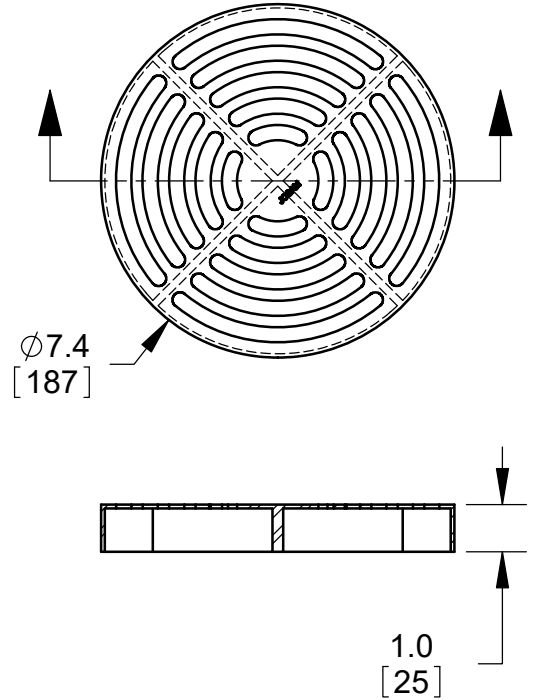
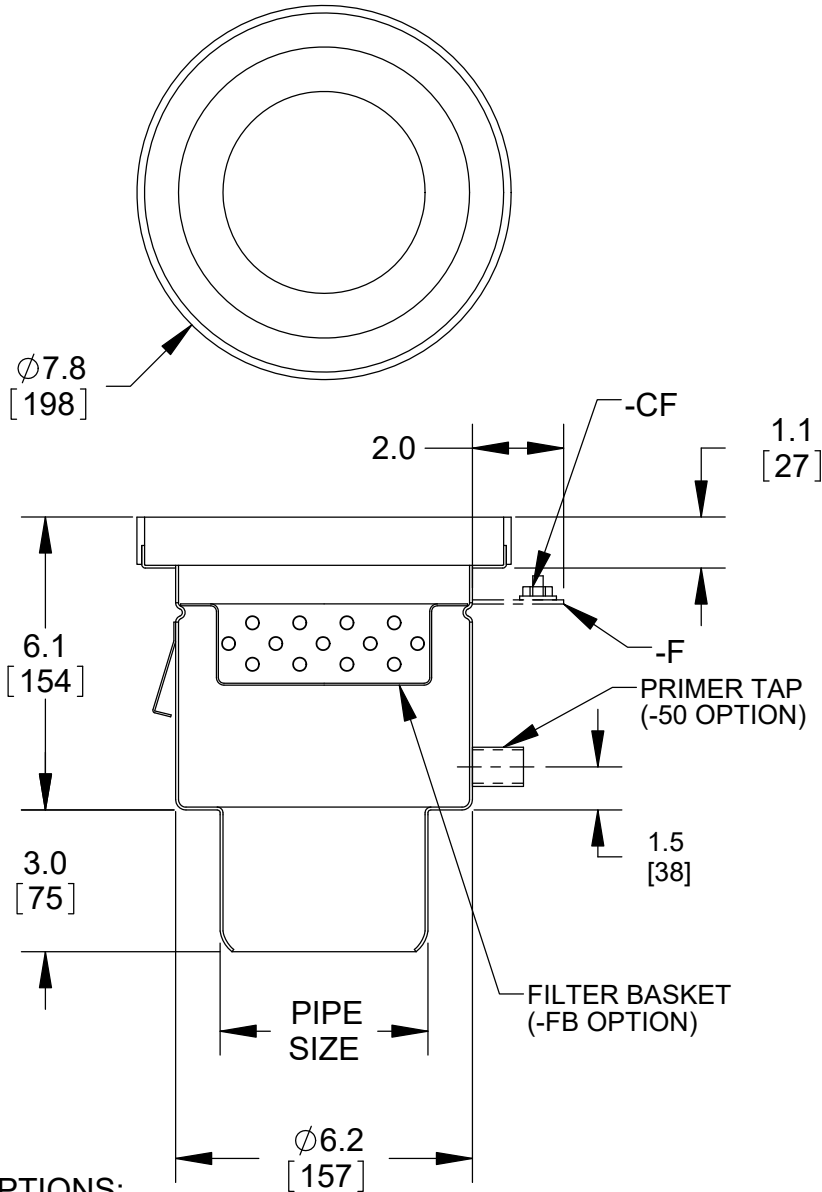
JOSAM SERIES 42430 FABRICATED STAINLESS STEEL (TYPE 304), 8" ROUND TOP, 6" DEEP, WITH NO-HUB BOTTOM OUTLET, ANCHOR TABS AND PERFORATED SS GRATE (STANDARD).

**SS DRAIN**  
8" ROUND TOP, 6" DEEP

SERIES **42430**

**STANDARD GRATE**

FREE AREA = 18.4 IN<sup>2</sup>  
MEETS ADA AND HEEL-PROOF REQMNTS.



**OPTIONS:**

-FB	FILTER BASKET
-SB	SEDIMENT BUCKET
-VP	SECURED GRATE
-50	1/2" PRIMER TAP
-BW	BUTT-WELD OUTLET (SPEC. 10, 40, 80)
-T	THREADED OUTLET
-PFO	PUSH-FIT OUTLET SIZE
-316	TYPE 316L MATERIAL
-F	FLANGE ONLY
-CF	CLAMP AND FLANGE

-WP	WEEPHOLES 1/8" (3X)
-NG	NO GRATE
-HG	PERF. HALF GRATE
-3Q	PERF. 3/4 GRATE
-MG	MESH, ANTI-SLIP GRATE
-LG	LADDER GRATE
-SG	PERIMETER SLOT GRATE
-SK	SEALED COVER W/ EYEBOLT KEY
-SV	SEALED COVER W/ VACUUM HNDL

MODEL	PIPE SIZE
42432	2"
42433	3"
42434	4"

DATE OF LAST CHANGE: 06/06/17

DIMENSIONS ARE SUBJECT TO MANUFACTURERS TOLERANCES AND CHANGE WITHOUT NOTICE. WE CAN ASSUME NO RESPONSIBILITY FOR USE OF SUPERSEDED OR VOID DATA.

**JOSAM COMPANY**  
MICHIGAN CITY, INDIANA

NOTES