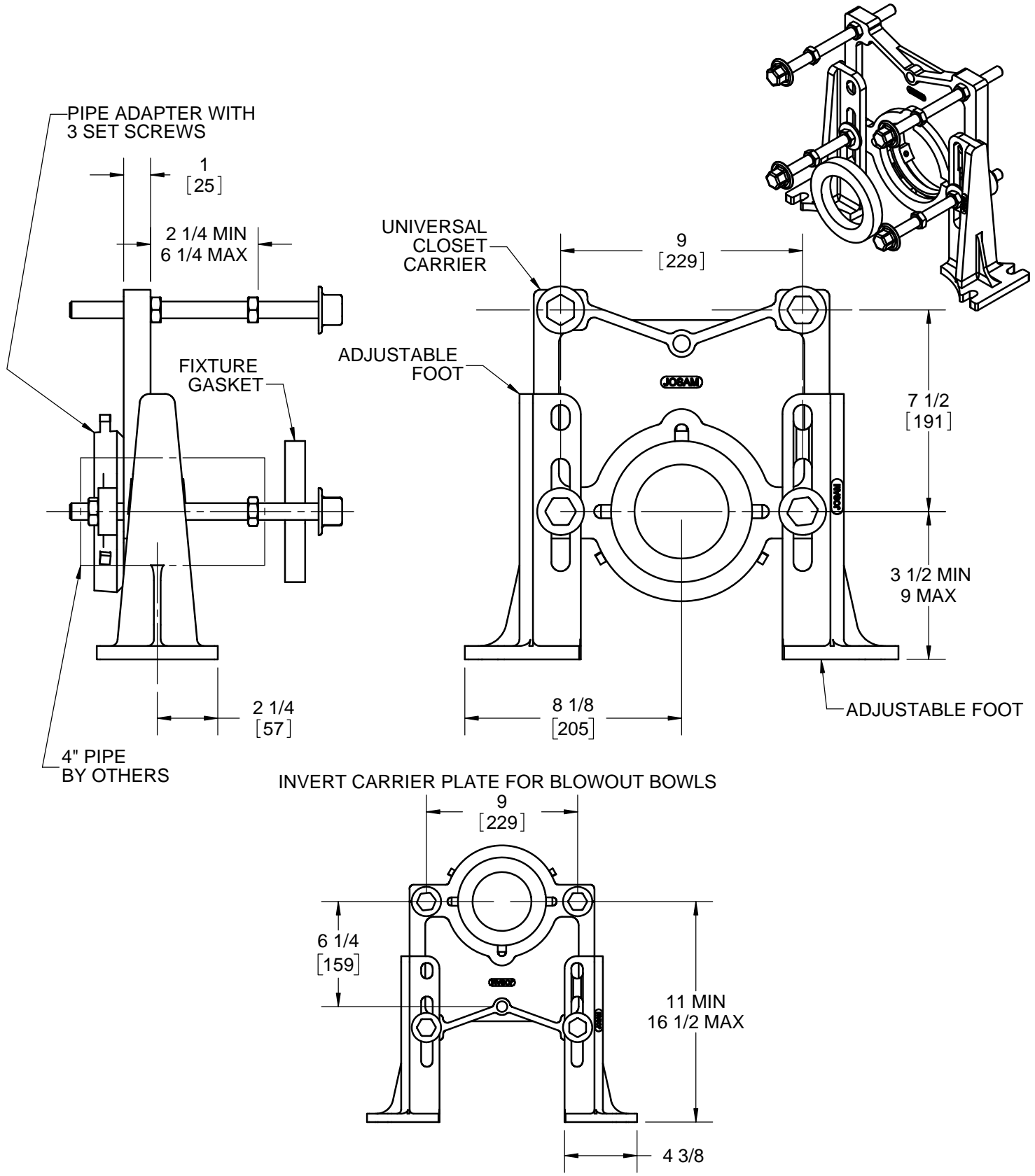


**SPECIFICATION:**

JOSAM SERIES 11001 COATED CAST IRON UNIVERSAL PIPE GRIP CLOSET CARRIER WITH 4" PIPE ADAPTER, ADJUSTABLE FEET AND FINISH HARDWARE AND TRIM TO SUPPORT SIPHON JET OR BLOWOUT WALL-HUNG WATER CLOSET. WASTE PIPING AND FITTING SUPPLIED BY OTHERS.

**CLOSET CARRIER  
WITH PIPE ADAPTER**

SERIES **11001**



WARNING: Cancer and Reproductive Harm - www.P65Warnings.ca.gov

DATE OF LAST CHANGE: 5/25/18  
 DIMENSIONS ARE SUBJECT TO MANUFACTURERS TOLERANCES AND CHANGE WITHOUT NOTICE. WE CAN ASSUME NO RESPONSIBILITY FOR USE OF SUPERSEDED OR VOID DATA.

**JOSAM**  
 MICHIGAN CITY, INDIANA

NOTES