

K



**JAY R. SMITH MFG. CO.**  
 MEMBER OF MORRIS GROUP INTERNATIONAL  
 POST OFFICE BOX 3237  
 MONTGOMERY, ALABAMA 36109-0237 (USA)  
 TEL: 334-277-8520 FAX: 334-272-7396 www.jrsmith.com



MEMBER OF:

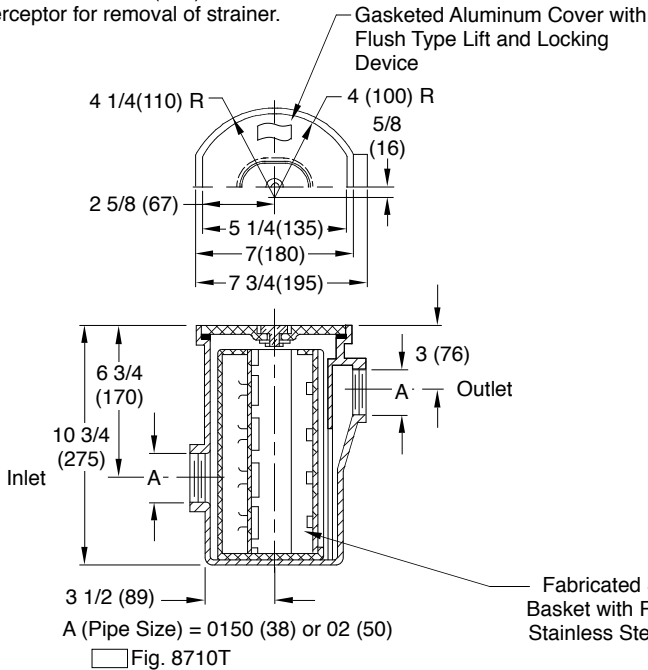
LOCATION

# SOLIDS INTERCEPTORS

## FLUSH WITH FLOOR OR ON THE FLOOR TYPES

**FUNCTION:** Provides a means of collecting solids such as metal chips, plaster and stones before entering the drain line preventing line stoppage. The Fig. 8710 small capacity interceptor is ideal for dental offices or similar establishments where the unit can be mounted directly under the sink to recover precious metals as well as intercept harmful debris. Fig. 8715 larger capacity interceptors are ideal for hospitals where a greater amount of solids is anticipated in the drainage water. Fig. 8710 and Fig. 8715 units are cleaned by removing cover and lifting strainer and screen assembly vertically out of body.

**NOTE:** Allow 9 1/4" (235) above interceptor for removal of strainer.



A (Pipe Size) = 0150 (38) or 02 (50)  
 Fig. 8710T

### REGULARLY FURNISHED:

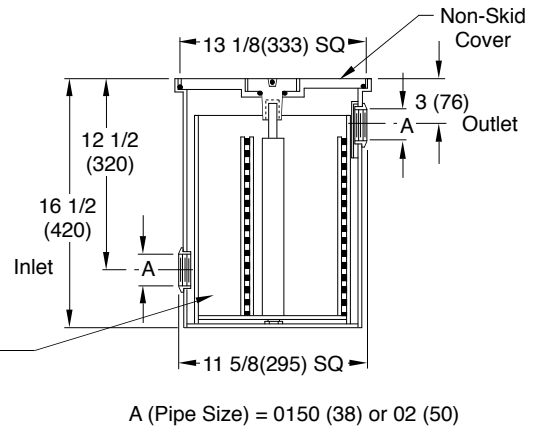
White Duco Coated Cast Iron Body and Aluminum Gasketed Cover and Sediment Strainer with Removable Stainless Steel Screens.

### OPTIONAL MATERIALS:

- Acid Resistant Coating Inside - ARI
- Acid Resistant Coating Outside - ARO
- Acid Resistant Coating Inside and Outside - ARIO
- All ABS (Specify Fig. 8710-ABS)
- All Aluminum Body -AA

**NOTE:** Allow 14 1/2" (370) above interceptor for removal of strainer.

**NOTE:** It is the responsibility of the installer to check all parts (internal and external) to verify they are in their proper operating order and location.



A (Pipe Size) = 0150 (38) or 02 (50)  
 Fig. 8715T

### REGULARLY FURNISHED:

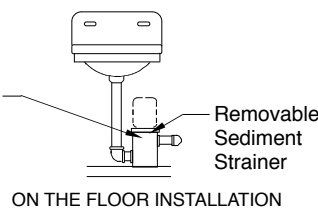
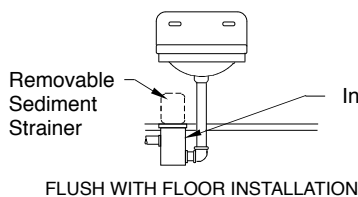
Fabricated Steel Body with Galvanized Sub-Coat with White Duco Finish Inside and Outside, Sediment Strainer with Removable Stainless Steel Screens and Cast Iron Cover.

### OPTIONAL MATERIALS:

- Acid Resistant Coating Inside - ARI
- Acid Resistant Coating Outside - ARO
- Acid Resistant Coating Inside and Outside - ARIO

**NOTE:** Dimensions shown in parentheses are in millimeters.

## TYPICAL INSTALLATIONS



DRAWING NUMBER

SIZE

SCALE:

DATE:

APPROVED BY:

CHECKED BY:

DRAWN BY:

8710, 8715

WE CAN ASSUME NO RESPONSIBILITY FOR USE OF SUPERSEDED OR VOID DATA

DIMENSIONS ARE SUBJECT TO MANUFACTURERS TOLERANCE AND CHANGE WITHOUT NOTICE

REV.	DATE	DESCRIPTION	BY	CKD. BY	WEIGHT POUNDS	VOLUME CUBIC FEET
K J H	05/14/04 7-10-03 7-16-02	Added to Optional Materials Changed Optional Materials Changed Regularly Furnished	JJ RN RN	AM CL CL		

**FIGURE NUMBER**  
**8710, 8715**



**WARNING:** Cancer and Reproductive Harm - www.P65Warnings.ca.gov